

Job Name/Location:

Tag #:

Date: \_\_\_\_\_ For:  File  Resubmit  
 PO No.: \_\_\_\_\_  Approval  Other \_\_\_\_\_  
 Architect: \_\_\_\_\_ GC: \_\_\_\_\_  
 Engr: \_\_\_\_\_ Mech: \_\_\_\_\_  
 Rep: \_\_\_\_\_  
(Company) (Project Manager)



# LMU369HV

## Flex Multi Inverter Heat Pump Outdoor Unit

**Performance:**

Capacity (Btu/h)	34,000
Cooling Power Input (kW)	2.72
Heating Power Input (kW)	3.58

Cooling Nominal Test Conditions: Indoor: 80°F DB/67°F WB  
 Outdoor: 95°F DB/75°F WB  
 Heating Nominal Test Conditions: Indoor: 70°F DB/60°F WB  
 Outdoor: 47°F DB/43°F WB

**Electrical:**

Power Supply (V/Hz/Ø)	208-230/60/1
MOP (A)	25
MCA (A)	16.8
Cooling Rated Amps (A)	18.6
Heating Rated Amps (A)	19.0
Compressor (A)	12.1
Fan Motor (A)	0.55

MOP - Maximum Overcurrent Protection MCA - Minimum Circuit Ampacity

**Piping:**

Refrigerant Charge (lbs)	7.72
Liquid Line (in, OD)	1/4 (4 Each)
Vapor Line (in, OD)	3/8 (4 Each)
Max Total Piping (ft) <sup>2</sup>	246.1
Max ODU to IDU Piping (ft)	82.0
Piping Length (no add'l refrigerant, ft)	98.4
Max Elevation between ODU and IDU (ft)	49.2
Max Elevation between IDU and IDU (ft)	24.6

ODU - Outdoor Unit IDU - Indoor Unit

**Controls Features:**

- Auto operation
- Auto restart operation
- Defrost/Deicing
- Inverter (variable speed compressor)
- Low ambient operation to 14F (cooling mode)
- Restart delay (3-minutes)
- Self diagnosis
- Soft start

**Standard Features:**

- Limited Five Year Compressor Warranty
- Limited Two Year Functional Parts Warranty

**Optional Accessories:**

- PI-485 Integration Board (PMNFP14A0)
- AC Smart II (PQCSW320A1E)
- AC Ez (PQCSZ250S0)

**Operating Range:**

Cooling (°F DB)	14-115
Heating (°F WB)	5-64

**Unit Data:**

Refrigerant Type	R410A
Refrigerant Control	EEV
Sound Pressure (±3 dB(A)) <sup>2</sup>	57
Net Unit Weight (lbs)	209.4
Shipping Weight (lbs)	222.6
Heat Exchanger Coating	GoldFin™
Min Number of Indoor Units	2
Max Number of Indoor Units	4
Communication Cable (No. x AWG) <sup>3</sup>	4 X 18

AWG - American Wire Gage

**Compressor:**

Quantity	1
Type	Twin-Rotary
Oil/Type	FVC68D

**Fan:**

Type	Propeller
Quantity	2
Fan Motor/Drive	Brushless Digitally Controlled/Direct
Airflow Rate (CFM)	2,119

**Notes:**

1. Acceptable operating voltage: 187V-253V.
2. Piping lengths are equivalent.
3. Sound Pressure levels are tested in an anechoic chamber under ISO Standard 1996.
4. All communication cable to be minimum 18 AWG, 2-conductor, stranded, shielded and must comply with applicable local and national code.
5. See Engineering Manual for sensible and latent capacities.
6. Power wiring cable size must comply with the applicable local and national code.
7. This data is rated 0 ft above sea level, with 24.6 ft of refrigerant line and a 0 ft level difference between outdoor and indoor units. All capacities are net with a combination ratio between 95 – 105%.
8. Must follow installation instructions in the applicable LG installation manual.



System	Combined With	Nominal Cooling Capacity	EER	SEER	Nominal Heating Capacity	COP	Low Heating Capacity	COP	HSPF	Energy Star
		Btu/h	95°F		Btu/h	47°F	Btu/h	17°F		
LMU369HV	Non-Ducted Indoor Unit	34,000	12.50	17.5	41,000	3.40	23,300	2.4	10.5	Yes
	Ducted Indoor Unit	34,000	12.00	16.5	41,000	3.20	25,300	2.6	10.5	
	Mixed Ducted & Non-Ducted	34,000	12.25	17.0	41,000	3.30	24,300	2.5	10.5	

For continual product development, LG reserves the right to change specifications without notice.

LG Electronics U.S.A., Inc., Englewood Cliffs, NJ. All rights reserved. "LG Life's Good" is a registered trademark of LG Corp. /www.lghvac.com

DFS-SB-AD-004-US 012G18

1 of 4

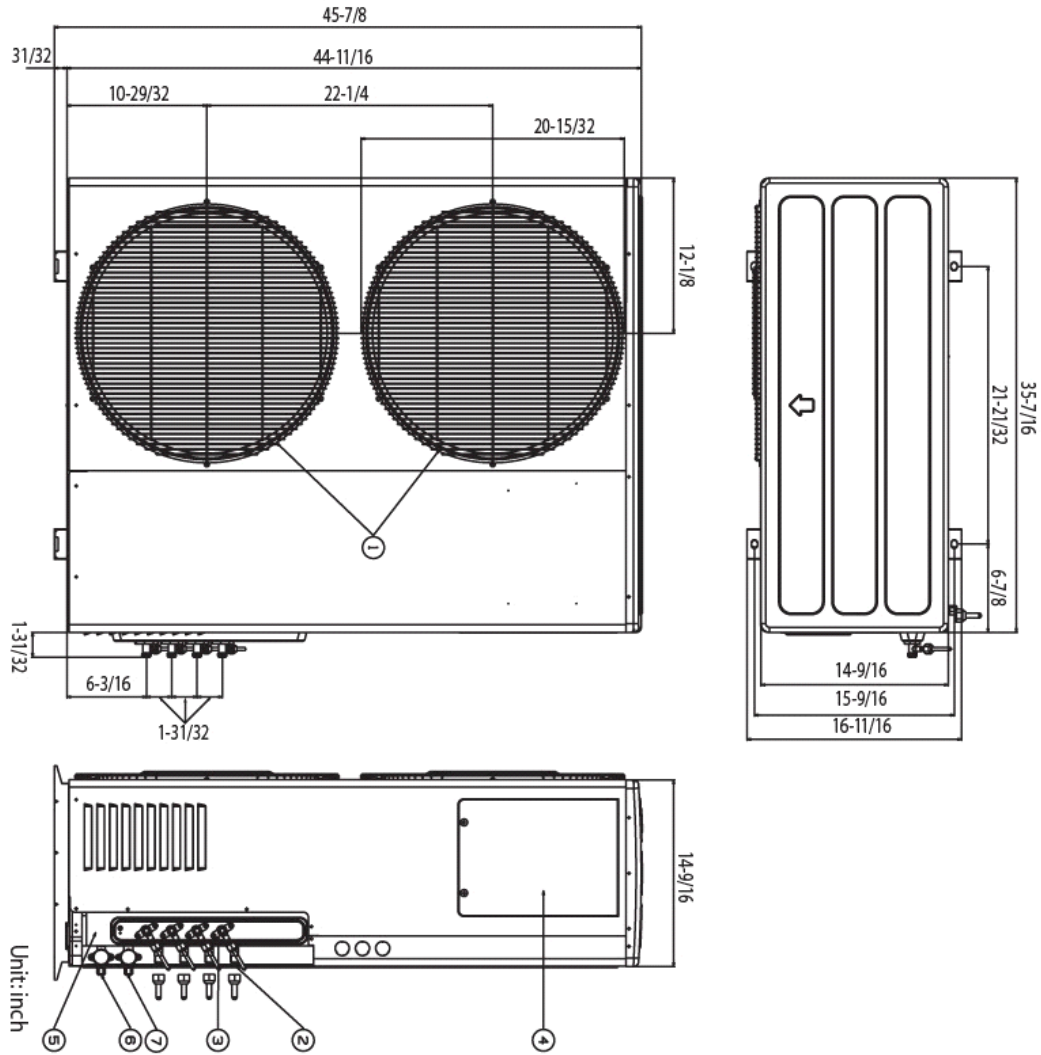
**LMU369HV**  
Flex Multi Inverter Heat Pump Outdoor Unit



Tag #:

Date:

PO No.:



No.	Part Name	Remarks
1	Air discharge grille	
2	Gas pipe connection	
3	Liquid pipe connection	
4	Power & transmission connection	
5	Earth screw	
6	Main service valve(Liquid)	
7	Main service valve(Gas)	

**LMU369HV**  
Flex Multi Inverter Heat Pump Outdoor Unit



Tag #: \_\_\_\_\_

Date: \_\_\_\_\_

PO No.: \_\_\_\_\_

**Non-Ducted Indoor Units**

Cooling

Active IDUs	Combination of Indoor Units (kBtu/h Class)					Room Capacity				Total Capacity		Input (W)	Current (A)	EER	SEER
										Rated					
UNIT	UNIT A	UNIT B	UNIT C	UNIT D	Total	UNIT-A (Btu/h)	UNIT-B (Btu/h)	UNIT-C (Btu/h)	UNIT-D (Btu/h)	Btu/h	kW	Rated	Rated		
2 Units	9	9	-	-	18	9,000	9,000	-	-	18,000	5.3	1,900	8.3	9.5	13.5
	9	12	-	-	21	9,000	12,000	-	-	21,000	6.2	2,110	9.2	10.0	14.1
	12	12	-	-	24	12,000	12,000	-	-	24,000	7.0	2,320	10.1	10.3	14.7
	9	18	-	-	27	9,000	18,000	-	-	27,000	7.9	2,420	10.6	11.2	15.8
	12	18	-	-	30	11,600	17,400	-	-	29,000	8.5	2,600	11.3	11.2	15.8
3 Units	18	18	-	-	36	18,000	18,000	-	-	36,000	10.5	2,880	12.6	12.5	17.8
	9	9	9	-	27	9,000	9,000	9,000	-	27,000	7.9	2,420	10.6	11.2	15.8
	9	9	12	-	30	9,000	9,000	12,000	-	30,000	8.8	2,600	11.3	11.5	16.4
	9	12	12	-	33	9,000	12,000	12,000	-	33,000	9.7	2,740	11.9	12.0	17.1
	12	12	12	-	36	11,333	11,333	11,333	-	34,000	10.0	2,720	11.9	12.5	17.5
	9	9	18	-	36	8,500	8,500	17,000	-	34,000	10.0	2,720	11.9	12.5	17.5
	9	12	18	-	39	7,846	10,462	15,692	-	34,000	10.0	2,720	11.9	12.5	17.5
	12	12	18	-	42	9,714	9,714	14,571	-	34,000	10.0	2,720	11.9	12.5	17.5
4 Units	9	18	18	-	45	6,800	13,600	13,600	-	34,000	10.0	2,720	11.9	12.5	17.5
	12	18	18	-	48	8,500	12,750	12,750	-	34,000	10.0	2,720	11.9	12.5	17.5
	9	9	9	9	36	8,500	8,500	8,500	8,500	34,000	10.0	2,720	11.9	12.5	17.5
	9	9	9	12	39	7,846	7,846	7,846	10,462	34,000	10.0	2,720	11.9	12.5	17.5
	9	9	12	12	42	7,286	7,286	9,714	9,714	34,000	10.0	2,720	11.9	12.5	17.5

Heating

Active IDUs	Combination of Indoor Units (kBtu/h Class)					Room Capacity				Total Capacity		Input (W)	Current (A)	COP	HSPF
										Rated					
UNIT	UNIT A	UNIT B	UNIT C	UNIT D	Total	UNIT-A (Btu/h)	UNIT-B (Btu/h)	UNIT-C (Btu/h)	UNIT-D (Btu/h)	Btu/h	kW	Rated	Rated		
2 Units	9	9	-	-	18	10,350	10,350	-	-	20,700	6.1	2,080	9.1	2.9	9.3
	9	12	-	-	21	10,350	13,800	-	-	24,150	7.1	2,540	11.1	2.8	8.9
	12	12	-	-	24	13,800	13,800	-	-	27,600	8.1	2,590	11.3	3.1	10.0
	9	18	-	-	27	10,350	20,700	-	-	31,050	9.1	2,900	12.6	3.1	10.0
	12	18	-	-	30	13,800	20,700	-	-	34,500	10.1	3,220	14.0	3.1	10.0
3 Units	18	18	-	-	36	19,000	19,000	-	-	38,000	11.1	3,530	15.4	3.2	10.1
	9	9	9	-	27	10,350	10,350	10,350	-	31,050	9.1	2,900	12.6	3.1	10.0
	9	9	12	-	30	10,350	10,350	13,800	-	34,500	10.1	3,220	14.0	3.1	10.0
	9	12	12	-	33	10,350	13,800	13,800	-	37,950	11.1	3,400	14.8	3.3	10.4
	12	12	12	-	36	13,667	13,667	13,667	-	41,000	12.0	3,580	15.6	3.4	10.5
	9	9	18	-	36	10,250	10,250	20,500	-	41,000	12.0	3,580	15.6	3.4	10.5
	9	12	18	-	39	9,462	12,615	18,923	-	41,000	12.0	3,580	15.6	3.4	10.5
	12	12	18	-	42	11,714	11,714	17,571	-	41,000	12.0	3,580	15.6	3.4	10.5
4 Units	9	18	18	-	45	8,200	16,400	16,400	-	41,000	12.0	3,580	15.6	3.4	10.5
	12	18	18	-	48	10,250	15,375	15,375	-	41,000	12.0	3,580	15.6	3.4	10.5
	9	9	9	9	36	10,250	10,250	10,250	10,250	41,000	12.0	3,580	15.6	3.4	10.5
	9	9	9	12	39	9,462	9,462	9,462	12,615	41,000	12.0	3,580	15.6	3.4	10.5
	9	9	12	12	42	8,786	8,786	11,714	11,714	41,000	12.0	3,580	15.6	3.4	10.5

Cooling Nominal Test Conditions: Indoor: 80°F DB/67°F WB Outdoor: 95°F DB/75°F WB  
 Heating Nominal Test Conditions: Indoor: 70°F DB/60°F WB Outdoor: 47°F DB/43°F WB  
 Refer to the EPDB Capacity Tables for capacities at other temperatures.

**LMU369HV**  
Flex Multi Inverter Heat Pump Outdoor Unit



Tag #:

Date:

PO No.:

**Ducted Indoor Units**

Cooling

Active IDUs	Combination of Indoor Units (kBtu/h Class)					Room Capacity				Total Capacity Rated		Input (W)	Current (A)	EER	SEER
	UNIT A	UNIT B	UNIT C	UNIT D	Total	UNIT-A (Btu/h)	UNIT-B (Btu/h)	UNIT-C (Btu/h)	UNIT-D (Btu/h)	Btu/h	kW	Rated	Rated		
2 Units	9	9	-	-	18	9,000	9,000	-	-	18,000	5.3	1,980	8.6	9.1	12.7
	9	12	-	-	21	9,000	12,000	-	-	21,000	6.2	2,200	9.6	9.5	13.4
	12	12	-	-	24	12,000	12,000	-	-	24,000	7.0	2,420	10.6	9.9	13.9
	9	18	-	-	27	9,000	18,000	-	-	27,000	7.9	2,530	11.0	10.7	14.9
	12	18	-	-	30	11,600	17,400	-	-	29,000	8.5	2,710	11.8	10.7	15.0
	18	18	-	-	36	16,500	16,500	-	-	33,000	9.7	3,000	13.1	11.0	15.4
3 Units	9	9	9	-	27	9,000	9,000	9,000	-	27,000	7.9	2,530	11.0	10.7	14.9
	9	9	12	-	30	9,000	9,000	12,000	-	30,000	8.8	2,710	11.8	11.1	15.5
	9	12	12	-	33	9,000	12,000	12,000	-	33,000	9.7	2,860	12.5	11.5	16.2
	12	12	12	-	36	11,333	11,333	11,333	-	34,000	10.0	2,840	12.4	12.0	16.5
	9	9	18	-	36	8,500	8,500	17,000	-	34,000	10.0	2,840	12.4	12.0	16.5
	9	12	18	-	39	7,846	10,462	15,692	-	34,000	10.0	2,840	12.4	12.0	16.5
	12	12	18	-	42	9,714	9,714	14,571	-	34,000	10.0	2,840	12.4	12.0	16.5
	9	18	18	-	45	6,800	13,600	13,600	-	34,000	10.0	2,840	12.4	12.0	16.5
4 Units	12	18	18	-	48	8,500	12,750	12,750	-	34,000	10.0	2,840	12.4	12.0	16.5
	9	9	9	9	36	8,500	8,500	8,500	8,500	34,000	10.0	2,840	12.4	12.0	16.5
	9	9	9	12	39	7,846	7,846	7,846	10,462	34,000	10.0	2,840	12.4	12.0	16.5
	9	9	12	12	42	7,286	7,286	9,714	9,714	34,000	10.0	2,840	12.4	12.0	16.5
	9	12	12	12	45	6,800	9,067	9,067	9,067	34,000	10.0	2,840	12.4	12.0	16.5
	9	9	9	18	45	6,800	6,800	6,800	13,600	34,000	10.0	2,840	12.4	12.0	16.5

Heating

Active IDUs	Combination of Indoor Units (kBtu/h Class)					Room Capacity				Total Capacity Rated		Input (W)	Current (A)	COP	HSPF
	UNIT A	UNIT B	UNIT C	UNIT D	Total	UNIT-A (Btu/h)	UNIT-B (Btu/h)	UNIT-C (Btu/h)	UNIT-D (Btu/h)	Btu/h	kW	Rated	Rated		
2 Units	9	9	-	-	18	10,350	10,350	-	-	20,700	6.1	2,170	9.5	2.8	8.5
	9	12	-	-	21	10,350	13,800	-	-	24,150	7.1	2,560	11.2	2.8	8.8
	12	12	-	-	24	13,800	13,800	-	-	27,600	8.1	2,690	11.7	3.0	9.0
	9	18	-	-	27	10,350	20,700	-	-	31,050	9.1	3,020	13.2	3.0	9.0
	12	18	-	-	30	13,800	20,700	-	-	34,500	10.1	3,350	14.6	3.0	9.0
	18	18	-	-	36	19,000	19,000	-	-	38,000	11.1	3,680	16.0	3.0	9.0
3 Units	9	9	9	-	27	10,350	10,350	10,350	-	31,050	9.1	3,020	13.2	3.0	9.0
	9	9	12	-	30	10,350	10,350	13,800	-	34,500	10.1	3,350	14.6	3.0	9.0
	9	12	12	-	33	10,350	13,800	13,800	-	37,950	11.1	3,550	15.5	3.1	9.2
	12	12	12	-	36	13,667	13,667	13,667	-	41,000	12.0	3,720	16.2	3.2	9.5
	9	9	18	-	36	10,250	10,250	20,500	-	41,000	12.0	3,720	16.2	3.2	9.5
	9	12	18	-	39	9,462	12,615	18,923	-	41,000	12.0	3,720	16.2	3.2	9.5
	12	12	18	-	42	11,714	11,714	17,571	-	41,000	12.0	3,720	16.2	3.2	9.5
	9	18	18	-	45	8,200	16,400	16,400	-	41,000	12.0	3,720	16.2	3.2	9.5
4 Units	12	18	18	-	48	10,250	15,375	15,375	-	41,000	12.0	3,720	16.2	3.2	9.5
	9	9	9	9	36	10,250	10,250	10,250	10,250	41,000	12.0	3,720	16.2	3.2	9.5
	9	9	9	12	39	9,462	9,462	9,462	12,615	41,000	12.0	3,720	16.2	3.2	9.5
	9	9	12	12	42	8,786	8,786	11,714	11,714	41,000	12.0	3,720	16.2	3.2	9.5
	9	12	12	12	45	8,200	10,933	10,933	10,933	41,000	12.0	3,720	16.2	3.2	9.5
	9	9	9	18	45	8,200	8,200	8,200	16,400	41,000	12.0	3,720	16.2	3.2	9.5

Capacity data is based on the following conditions –

Cooling Nominal Test Conditions: Heating Nominal Test Conditions:  
 Indoor: 80°F DB/67°F WB Indoor: 70°F DB/60°F WB  
 Outdoor: 95°F DB/75°F WB Outdoor: 47°F DB/43°F WB

Refer to the EPDB Capacity Tables for capacities at other temperatures.