

Date: \_\_\_\_\_ For:  File  Resubmit  
 PO No.: \_\_\_\_\_  Approval  Other \_\_\_\_\_  
 Architect: \_\_\_\_\_ GC: \_\_\_\_\_  
 Engr: \_\_\_\_\_ Mech: \_\_\_\_\_  
 Rep: \_\_\_\_\_  
 (Company) (Project Manager)



**LMU360HHV**  
**Multi F MAX with LGRED° Heat Pump Outdoor Unit**

**Performance:**

|   |                      |
|---|----------------------|
| Cooling (Min-Rated-Max, Btu/h)          | 11,700~36,000~46,733 |
| Heating (Min-Rated-Max, Btu/h)          | 13,455~41,000~50,200 |
| Max Heating at 5°F (Btu/h)              | 41,000               |
| Cooling Power Input (Min-Rated-Max, kW) | 0.72 ~ 2.40 ~ 3.75   |
| Heating Power Input (Min-Rated-Max, kW) | 0.96 ~ 2.93 ~ 3.94   |

Cooling Nominal Test Conditions: Indoor: 80°F DB/67°F WB  
 Outdoor: 95°F DB/75°F WB  
 Heating Nominal Test Conditions: Indoor: 70°F DB/60°F WB  
 Outdoor: 47°F DB/43°F WB

**Electrical:**

|                        |              |
|------------------------|--------------|
| Power Supply (V/Hz/Ø)  | 208-230/60/1 |
| MOP (A)                | 45           |
| MCA (A)                | 30.2         |
| Cooling Rated Amps (A) | 25.06        |
| Heating Rated Amps (A) | 25.06        |
| Compressor (A)         | 20.4         |
| Fan Motor (A)          | 0.73 x 2     |

MOP - Maximum Overcurrent Protection MCA - Minimum Circuit Ampacity

**Piping:**

|   |          |
|---|----------|
| Refrigerant Charge (lbs.)                             | 12.34    |
| Liquid Line (in, OD)                                  | Ø3/8 x 1 |
| Vapor Line (in, OD)                                   | Ø3/4 x 1 |
| Max Total Piping <sup>2</sup> (ft)                    | 475.7    |
| Max ODU to IDU Piping <sup>3</sup> (ft)               | 229.6    |
| Piping Length <sup>4</sup> (no add'l refrigerant, ft) | 147.6    |
| Max Elevation between ODU and IDU (ft)                | 98.4     |
| Max Elevation between IDU and IDU (ft)                | 49.2     |

ODU - Outdoor Unit IDU - Indoor Unit

**Controls Features:**

- Auto operation
- Auto restart
- Defrost/Deicing
- Inverter (variable speed compressor)
- Low ambient operation to 14F (cooling mode)
- Restart delay (3-minutes)
- Self diagnosis
- Soft start
- Factory installed Drain Pan Heater

**Optional Accessories:**

- PI-485 Integration Board - PMNFP14A1
- AC Smart IV - PACS4B000
- ACP IV - PACP4B000
- Power Distribution Indicator - PQNUD1S41
- MultiSITE™ CM - PBACNBTR0A
- LonWorks® Gateway - PLNWKB100
- Y-Branch - PMBL5620
- ACP IV BACnet Gateway - PQNFB17C2
- AC Smart IV BACnet® Gateway - PBACNA000
- Low Ambient Wind Baffle (Cooling operation to -4°F) - ZLABGP04A x2

**Required<sup>5</sup> Accessories:**

- 2 Port BD Unit - PMBD3620
- 3 Port BD Unit - PMBD3630
- 4 Port BD Unit - PMBD3640
- 4 Port BD Unit - PMBD3641

**Operating Range:**

|                 |            |
|-----------------|------------|
| Cooling (°F DB) | 14 to +118 |
| Heating (°F WB) | -13 to +75 |

**Unit Data:**

|  |             |
|--|-------------|
| Refrigerant Type                                 | R410A       |
| Refrigerant Control                              | EEV         |
| Sound Pressure <sup>3</sup> (Cool/Heat) ±3 dB(A) | 54 / 57     |
| Net/Shipping Weight (lbs)                        | 222.7/249.1 |
| Heat Exchanger Coating                           | GoldFin™    |
| Min Number of Indoor Units                       | 2           |
| Max Number of Indoor Units                       | 5           |

**Compressor:**

|          |             |
|----------|-------------|
| Quantity | 1           |
| Type     | Twin Rotary |
| Oil/Type | FVC68D      |

**Fan:**

|                    |                                       |
|--------------------|---------------------------------------|
| Type               | Propeller                             |
| Quantity           | 2                                     |
| Fan Motor/Drive    | Brushless Digitally Controlled/Direct |
| Airflow Rate (CFM) | 2,119 x 2                             |

**Notes:**

1. Acceptable operating voltage: 187V-253V.
2. Piping lengths are equivalent.
3. 180.4 ft of Main Piping + 49.2 ft of Branch Piping.
4. 16 ft of Main Piping + 131 ft of Branch Piping.
5. At least one BD Unit is required for system operation; a maximum of two can be installed per ODU with use of Y-branch accessory (PMBL5620).
6. Sound Pressure levels are tested in an anechoic chamber under ISO Standard 1996.
7. All power/communication cable to be minimum 16 AWG from the outdoor unit to the BD unit and 18 AWG from the BD unit to the indoor unit.
8. All power/communication cable to be 4-conductor, stranded, shielded and must comply with applicable local and national code.
9. Power wiring cable size must comply with the applicable local and national code.
10. See Performance Data Manual Capacity Tables for ODU sensible and latent capacities.
11. See Combination Data Manual for allocation of ODU rated capacity to each connected IDU when all are calling for full capacity. Allocation percentages should be applied to ODU capacity at design conditions.
12. This data is rated 0 ft above sea level, with 115 ft of refrigerant line and a 0 ft level difference between outdoor and indoor units. All capacities are net with a combination ratio between 95 - 105%.
13. Must follow installation instructions in the applicable LG installation manual.



BACnet® is a registered trademark of ASHRAE. LonWorks is a trademark of Echelon Corporation. Energy Star rating at least for Non-Ducted combinations; refer to AHRI directory for complete list.

For a complete list of available accessories, contact your LG representative.

For continual product development, LG reserves the right to change specifications without notice.

©LG Electronics U.S.A., Inc., Englewood Cliffs, NJ. All rights reserved. "LG Life's Good" is a registered trademark of LG Corp. /www.lghvac.com.

**LMU360HHV**  
Multi F MAX with LGRED° Heat Pump Outdoor Unit

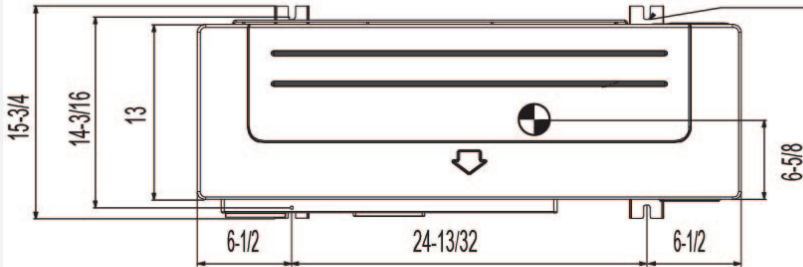


Tag #:

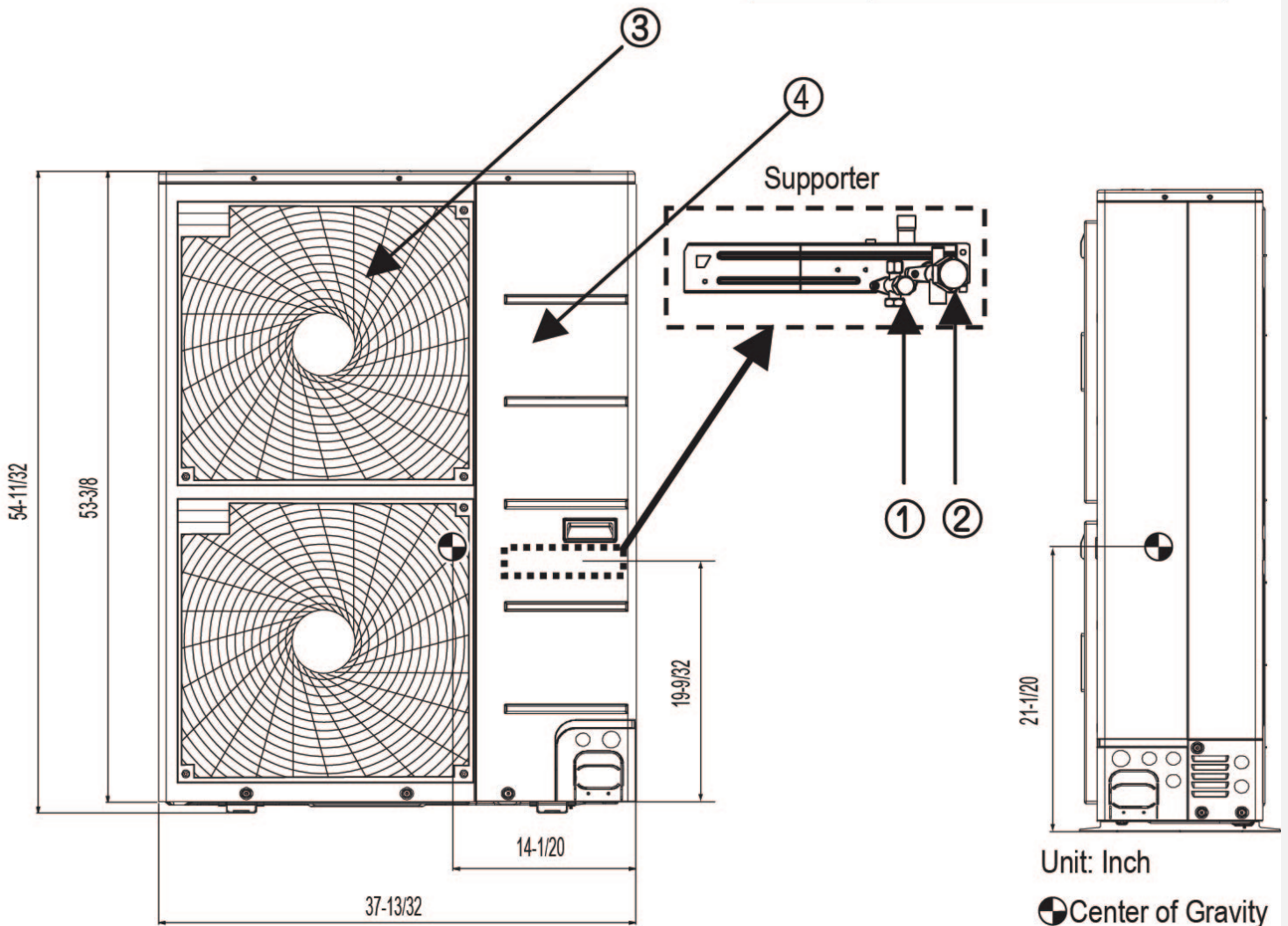
Date:

PO No.:

4-holes for anchor bolts



| No. | Part Name                       |
|-----|---------------------------------|
| 1   | Liquid pipe connection          |
| 2   | Gas pipe connection             |
| 3   | Air discharge grille            |
| 4   | Power & transmission connection |



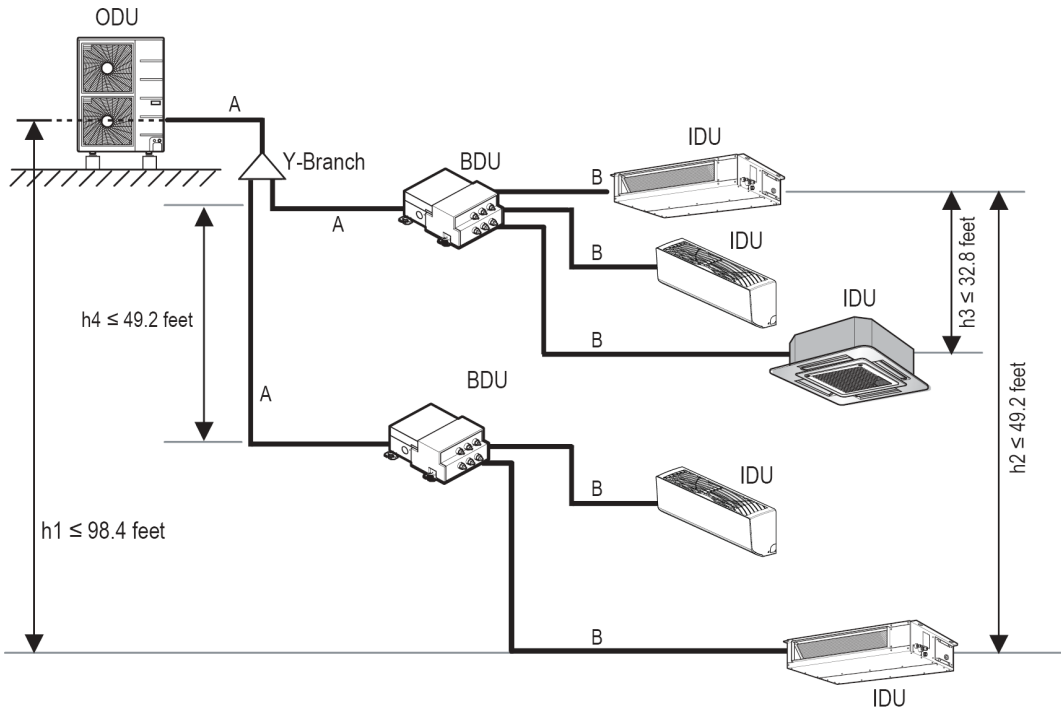
Unit: Inch

Center of Gravity

**LMU360HHV**  
Multi F MAX with LGRED® Heat Pump Outdoor Unit



Tag #: \_\_\_\_\_  
Date: \_\_\_\_\_  
PO No.: \_\_\_\_\_



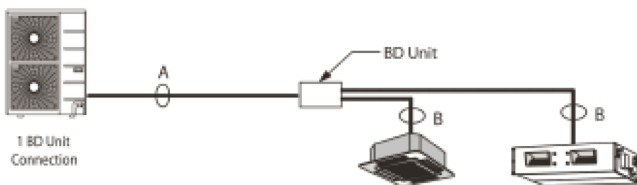
Multi F MAX with LGRED Outdoor Unit Refrigerant Piping System Limitations.

|   |  |         |             |
|---|--|---------|-------------|
| Pipe Length<br>(ELF = Equivalent Length of pipe in Feet)                          | Total piping length ( $\Sigma A + \Sigma B$ )                                    |         | ≤475.7 feet |
|   | Main pipe (Outdoor Unit to Branch Distribution Units: $\Sigma A$ )               | Minimum | 10 feet     |
|   |  | Maximum | ≤180.4 feet |
|   | Total branch piping length ( $\Sigma B$ )  |         | ≤295.3 feet |
|   | Branch pipe (Branch Distribution Units to Indoor Units: B)                       | Minimum | 10 feet     |
|   |  | Maximum | ≤49.2 feet  |
| Elevation Differential<br>(All Elevation Limitations are Measured in Actual Feet) | If outdoor unit is above or below indoor unit ( $h_1$ )                          |         | ≤98.4 feet  |
|   | Between the farthest two indoor units ( $h_2$ )                                  |         | ≤49.2 feet  |
|   | Between branch distribution unit and farthest connected indoor unit(s) ( $h_3$ ) |         | ≤32.8 feet  |
|   | Between branch distribution units ( $h_4$ )                                      |         | ≤49.2 feet  |

**Example: Multi F MAX with LGRED LMU360HHV outdoor unit with five (5) indoor units and two (2) branch distribution units connected.**

ODU: Outdoor Unit.  
IDU: Indoor Unit.  
BD: Branch Distribution Unit(s).  
 $\Sigma A$ : Main Pipe.  
 $\Sigma B$ : Branch Pipe (Branch Distribution Unit[s] to Indoor Unit[s]).

Installing the Unit



Piping Sizes

|        | A (inch) | B                                 |
|--------|----------|-----------------------------------|
| Liquid | Ø 3/8    | Adjust to indoor unit piping size |
| Gas    | Ø 3/4    |                                   |

