

- KD-1800A KD-1800N
- KY-1800A KY-1800N

K-1800 Ice Kube Machine



- Easy access to food zone with removal of two screws and lift-off door
- High-tech exterior with smudge and fingerprint resistant stainless-like finish
- White plastics in the food zone help identify areas needing cleaning
- Water shield, distribution tube, pump, floats, and trough removable by hand
- Available CleanAir™ pack controls the growth of bacteria and fungi that form slime and cause odors in the food zone

WARRANTY:

Ice Maker: 3 year Parts & Labor
 Evaporator: 5 year Parts & Labor
 Compressor: 5 year Parts & 3 year Labor

K-1800
ICE KUBE MACHINE



HALF KUBE
 $\frac{3}{8}'' \times 1\frac{1}{8}'' \times \frac{7}{8}''$
 (.95 x 2.86 x 2.22 cm)

$\frac{1}{2} = 100\%$



KUBE
 $\frac{7}{8}'' \times \frac{7}{8}'' \times \frac{7}{8}''$
 (2.22 x 2.22 x 2.22 cm)

$\frac{1}{2} = 100\%$

Koolaire K-1800 Ice Kube Machine on a K970 Bin

KOOLAIRE®

by **Manitowoc**

2110 SOUTH 26TH ST | MANITOWOC, WI 54220 USA | 1-920-682-0161 [www.kool-aire.com]

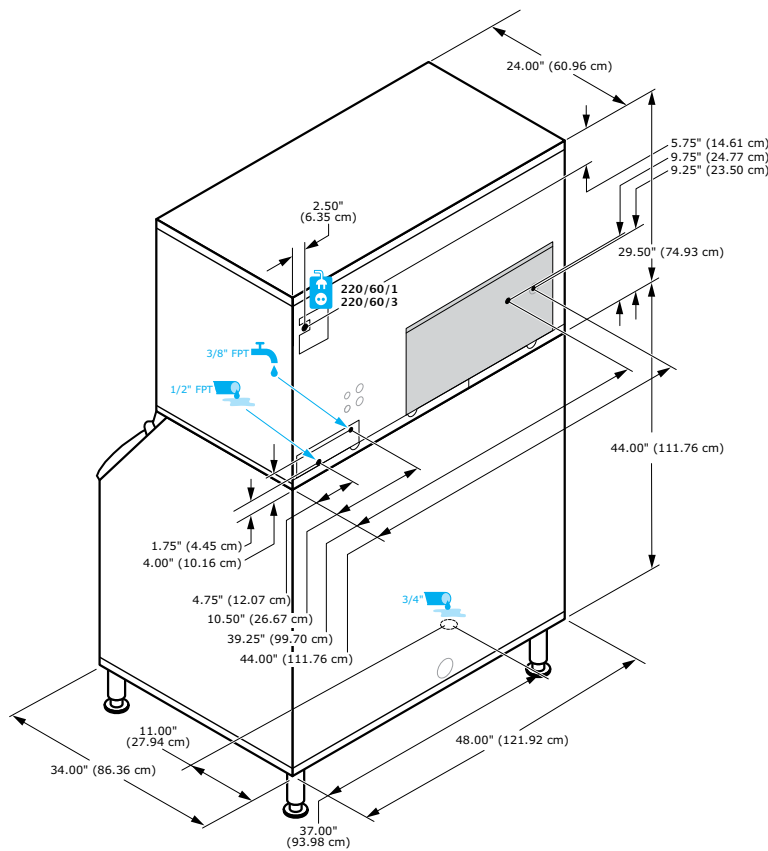


US LISTED



K-1800 ICE KUBE MACHINE

Model	Icon	Icon	24h		[kWh/ 100 lbs ice]	[gal/100 lbs ice]
			70°/50°F 21°/10°C	90°/70°F 32°/21°C		
KD-1800A			1764 lbs	1380 lbs	5.1	20.0
			800 kg	626 kg		
KY-1800A			1764 lbs	1380 lbs	5.1	20.0
			800 kg	626 kg		
KD-1800N			1781 lbs	1425 lbs	5.0	20.0
			808 kg	646 kg		
KY-1800N			1781 lbs	1425 lbs	5.0	20.0
			808 kg	646 kg		



Minimum	Maximum
35°F 1.7°C	110°F 43.3°C
35°F 1.7°C	90°F 32.2°C
20psi 138 kPa	80psi 551 kPa
19.6/13.3	A
19.6/12.9	
30 Amp Single Phase 20 Amps 3 Phase	
318 lbs 144 kg	
315 lbs 143 kg	

Order the KC-1350 Standard remote unit separately for the K-1800N and order separately the length of tubing kit needed between: 20'- RLK20R410A, 35'- RLK35R410A or 50'- RLK50R410A.

Popular Accessories

Artic Pure Water Filters AR-Pre & AR-40000	Clean Air Pack K-00206
---	---------------------------

KOOLAIRE®

by **Manitowoc**

2110 SOUTH 26TH ST | MANITOWOC, WI 54220 USA | 1-920-682-0161 [www.kool-aire.com]