

- KD-1000A KD-1000W KD-1000N
- KY-1000A KY-1000W KY-1000N

K-1000 Ice Kube Machine



- Easy access to food zone with removal of two screws and lift-off door
- High-tech exterior with smudge and fingerprint resistant stainless-like finish
- White plastics in the food zone help identify areas needing cleaning
- Water shield, distribution tube, pump, floats, and trough removable by hand
- Available CleanAir™ pack controls the growth of bacteria and fungi that form slime and cause odors in the food zone

WARRANTY:
 Ice Maker: 3 year Parts & Labor
 Evaporator: 5 year Parts & Labor
 Compressor: 5 year Parts & 3 year Labor



HALF KUBE
 $\frac{3}{8}'' \times 1\frac{1}{8}'' \times \frac{7}{8}''$
 (.95 x 2.86 x 2.22 cm)

= 100%



KUBE
 $\frac{7}{8}'' \times \frac{7}{8}'' \times \frac{7}{8}''$
 (2.22 x 2.22 x 2.22 cm)

= 100%

Refrigerant R410A



K-1000
ICE KUBE MACHINE

Koolaire K-1000 Ice Kube Machine on a K570 bin

KOOLAIRE®

by **Manitowoc**

2110 SOUTH 26TH ST | MANITOWOC, WI 54220 USA | 1-920-682-0161 [www.kool-aire.com]

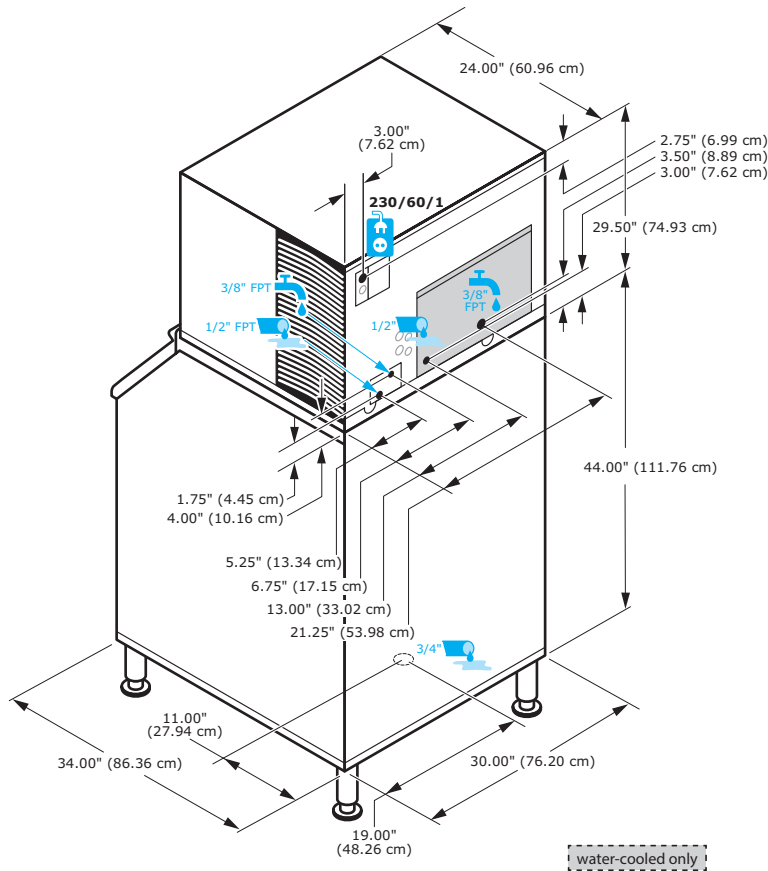


US LISTED



K-1000 ICE KUBE MACHINE

Model	Icon	Ice Type	24h		[kWh/100 lbs ice]	[gal/100 lbs ice]
			70°/50°F 21°/10°C	90°/70°F 32°/21°C		
KD-1000A			895 lbs	714 lbs	6.1	20.0
			406 kg	324 kg		
KY-1000A			897 lbs	714 lbs	6.1	20.0
			407 kg	324 kg		
KD-1000W			913 lbs	730 lbs	4.75	20.0
			414 kg	331 kg		
KY-1000W			913 lbs	730 lbs	4.75	20.0
			414 kg	331 kg		
KD-1000N			925 lbs	724 lbs	5.4	20.0
			420 kg	328 kg		
KY-1000N			930 lbs	770 lbs	5.4	20.0
			422 kg	349 kg		



Minimum	Maximum
35°F 1.7°C	110°F 43.3°C
35°F 1.7°C	90°F 32.2°C
20psi 138 kPa	80psi 551 kPa
14 13 13	A
	20 Amps
215 lbs 215 lbs 237 lbs	97 kg 97 kg 108 kg

water-cooled only

Water cooled condenser water usage/ 100lbs or 45.4kgs. of ice: 180 gals/681 L.

Popular Accessories			
Artic Pure Water Filters AR-Pre & AR 20000	Dispenser Bin Thermostat Kit K-00457	Top Air Discharge Kit K-00449	Clean Air Pack K-00206

KOOLAIRE®

by **Manitowoc**

2110 SOUTH 26TH ST | MANITOWOC, WI 54220 USA | 1-920-682-0161 [www.kool-aire.com]