

- KD-0500A
- KY-0500A
- KD-0500W
- KY-0500W



K-0500 Ice Kube Machine



- Easy access to food zone with removal of two screws and lift-off door
- High-tech exterior with smudge and fingerprint resistant stainless-like finish
- White plastics in the food zone help identify areas needing cleaning
- Water shield, distribution tube, pump, floats, and trough removable by hand
- Available CleanAir™ pack controls the growth of bacteria and fungi that form slime and cause odors in the food zone

WARRANTY:
 Ice Maker: 3 year Parts & Labor
 Evaporator: 5 year Parts & Labor
 Compressor: 5 year Parts 3 years Labor



HALF KUBE
 $\frac{3}{8}'' \times 1\frac{1}{8}'' \times \frac{7}{8}''$
 (.95 x 2.86 x 2.22 cm)

= 100%



KUBE
 $\frac{7}{8}'' \times \frac{7}{8}'' \times \frac{7}{8}''$
 (2.22 x 2.22 x 2.22 cm)

= 100%

R410A Refrigerant



K-0500
ICE KUBE MACHINE

Koolaire K-0500 Ice Kube Machine on a K570 bin

KOOLAIRE®

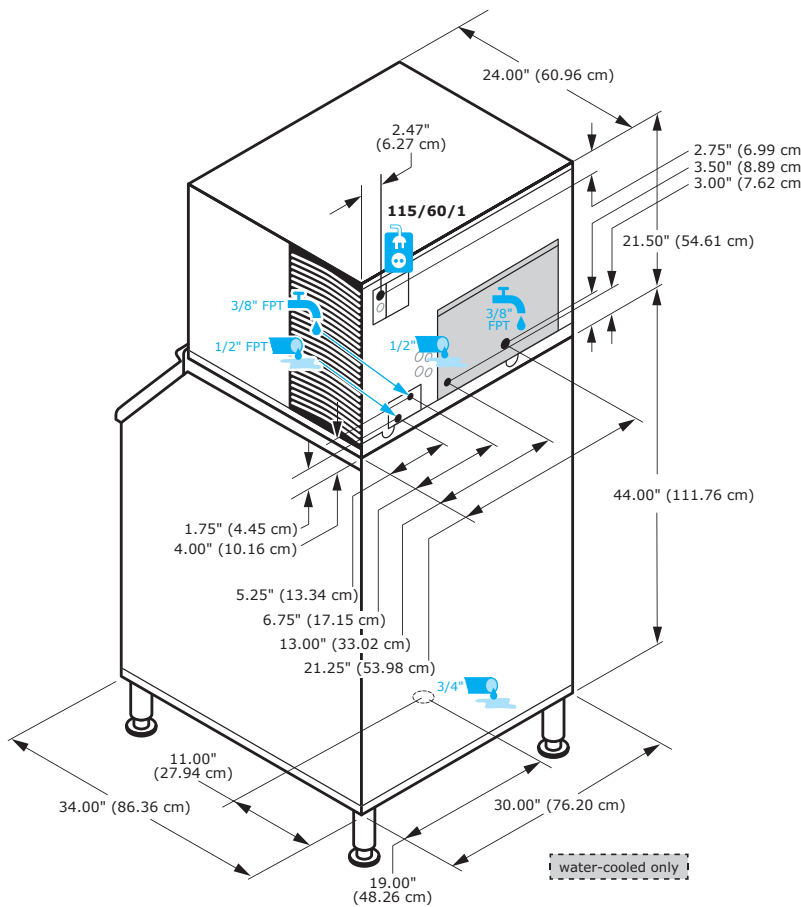
by **Manitowoc**

2110 SOUTH 26TH ST | MANITOWOC, WI 54220 USA | 1-920-682-0161 [www.kool-aire.com]



K-0500 ICE KUBE MACHINE

			24h				
			70°/50°F 21°/10°C	90°/70°F 32°/21°C			
KD-0500A			493 lbs	388 lbs	6.0	20	•
			224 kg	176 kg			
KY-0500A			519 lbs	405 lbs	5.8	20	•
			235 kg	184 kg			
KD-0500W			545 lbs	428 lbs	4.7	20	
			247 kg	194 kg			
KY-0500W			545 lbs	430 lbs	4.7	20	
			247 kg	195 kg			



Minimum		Maximum
35°F 1.7°C		110°F 43.3°C
35°F 1.7°C		90°F 32.2°C
20psi 138 kPA		80psi 551 kPA
12.7		
12.0		
		20 Amps
156 lbs 69 kg		
163 lbs 74 kg		

Water cooled condenser water usage/100 lbs. or 45.5 Kg. of ice: 160 gals. / 606L.

Popular Accessories			
Artic Pure Water Filters	Dispenser Bin Thermostat Kit	Top Air Discharge Kit	Clean Air Pack
AR-Pre & AR 10000	K-00457	K-00379	K-00206

KOOLAIRE®

by **Manitowoc**

2110 SOUTH 26TH ST | MANITOWOC, WI 54220 USA | 1-920-682-0161 | www.kool-aire.com