

- KDT-1700A KDT-1700W KDT-1700N
- KYT-1700A KYT-1700W KYT-1700N



KT-1700 Ice Kube Machine



- Easy access to food zone with removal of two screws and lift-off door
- High-tech exterior with smudge and fingerprint resistant stainless-like finish
- White plastics in the food zone help identify areas needing cleaning
- Water shield, distribution tube, pump, floats, and trough removable by hand
- Available CleanAir™ pack controls the growth of bacteria and fungi that form slime and cause odors in the food zone

WARRANTY:

Ice Maker: 3 year Parts & Labor
 Evaporator: 5 year Parts & Labor
 Compressor: 5 year Parts & 3 year Labor

KT-1700
ICE KUBE MACHINE



HALF KUBE
 $\frac{3}{8}'' \times 1\frac{1}{8}'' \times \frac{7}{8}''$
 (.95 x 2.86 x 2.22 cm)

= 100%



KUBE
 $\frac{7}{8}'' \times \frac{7}{8}'' \times \frac{7}{8}''$
 (2.22 x 2.22 x 2.22 cm)

= 100%

Koolaire KT-1700 Ice Kube Machine on a K970 Bin.

Both ice machine and bin are AHRI certified.

KOOLAIRE

By MANITOWOC

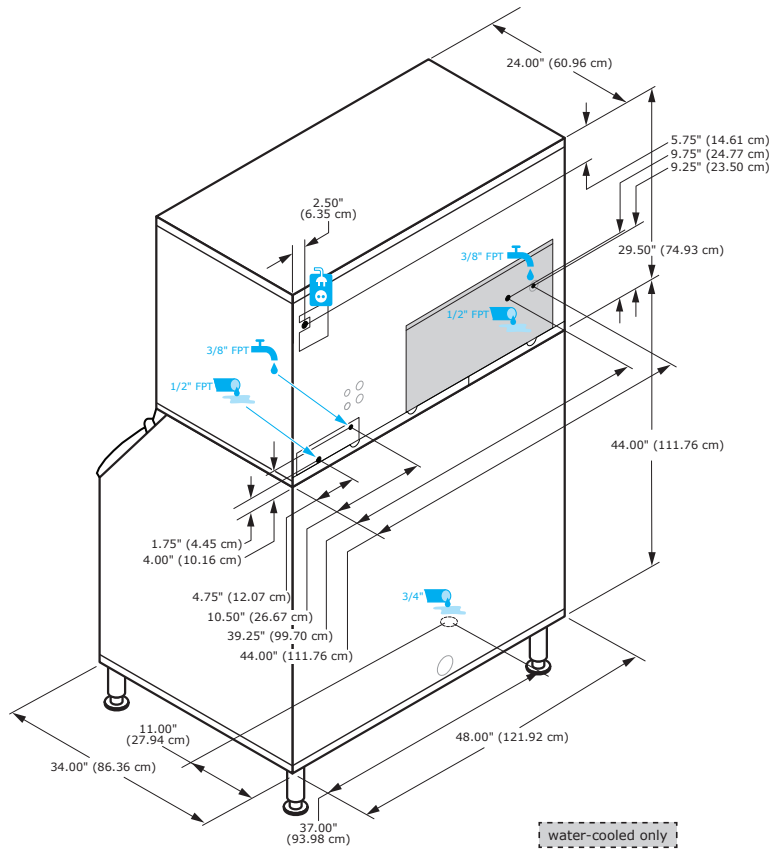
2110 SOUTH 26TH ST | MANITOWOC, WI 54220 USA | 1-920-682-0161 | www.kool-aire.com



KT-1700 ICE KUBE MACHINE

| Model | Compressor | Ice Type | 24h | | Energy [kWh/100 lbs ice] | Water [gal/100 lbs ice] | ENERGY STAR |
|------------|------------|----------|----------------------|----------------------|--------------------------|-------------------------|-------------|
| | | | 70°/50°F 21°/10°C | 90°/70°F 32°/21°C | | | |
| KDT-1700A | Fan | 8.5g | 1800 lbs | 1350 lbs | 4.6 | 20.0 | |
| | | | 816 kg | 612 kg | | | |
| KYT-1700A | Fan | 5.7g | 1800 lbs | 1380 lbs | 4.6 | 20.0 | |
| | | | 816 kg | 626 kg | | | |
| KDT-1700W | Water | 8.5g | 1765 lbs | 1460 lbs | 3.5 | 20.0 | |
| | | | 800 kg | 662 kg | | | |
| KYT-1700W | Water | 5.7g | 1815 lbs | 1550 lbs | 3.4 | 20.0 | |
| | | | 823 kg | 703 kg | | | |
| KDT-1700N* | Remote | 8.5g | 1680 lbs | 1420 lbs | 4.3 | 20.0 | |
| | | | 762 kg | 644 kg | | | |
| KYT-1700N* | Remote | 5.7g | 1745 lbs | 1490 lbs | 4.0 | 20.0 | ● |
| | | | 792 kg | 676 kg | | | |

* Remote condenser JCT1500 must be ordered with "N" models



| Minimum | Icons | Maximum |
|--|------------------|------------------|
| 40°F 4.4°C | Thermometer icon | 110°F 43.3°C |
| 40°F 4.4°C | Water tap icon | 90°F 32.2°C |
| 20psi 138 kPa | Water tap icon | 80psi 551 kPa |
| 18.2/13.6 | Fan icon | A |
| 16.8/12.2 | Water icon | |
| 17.8/13.2 | Remote icon | |
| 30 Amp Single Phase 20 Amps 3 Phase | | |
| 296 lbs 134 kg | Fan icon | |
| 298 lbs 135 kg | Water icon | |
| 303 lbs 137 kg | Remote icon | |

Water-cooled condenser water usage /100 lbs or 45.4 kgs. of ice: 140 gal/530 L.

water-cooled only

KOOLAIRE

By MANITOWOC

2110 SOUTH 26TH ST | MANITOWOC, WI 54220 USA | 1-920-682-0161 | www.kool-aire.com