



DELIVER HIGH EFFICIENCY IN LESS TIME.

Pressure Independent Control Valve
Quick Selection Guide

Honeywell

INSTALLING CONTROL VALVES JUST GOT A LOT MORE DYNAMIC.

Contractors are always looking for ways to provide clients with superior comfort, energy efficiency and ease of use – while, of course, looking for ways to cut installation time. Facility managers are always looking for ways to maintain comfort and improve energy efficiency while reducing their maintenance costs.

MORE CONTROL. LESS WORK.

Manual balancing of a building's hydronic systems for even flow and temperature distribution throughout the building is, thankfully, becoming a thing of the past. It's a labor-intensive process that's never perfect and never lasts.

The dynamic balancing of new Honeywell VRN and VRW Pressure Independent Flow Control Valves reduces labor time by integrating the flow control and temperature control functions in a single valve and then automatically controlling the flow in each hydronic system circuit to maintain temperature and comfort when pressures fluctuate.

- Industry-leading precision – no more manual balancing
- Controls flow exactly at all load conditions, not just at design conditions
- Improved control and performance helps extend actuator life expectancy
- Accurate flow regulation allows for the optimum sizing of chillers, boilers and pumps
- Full range of sizes from 1/2" to 6"



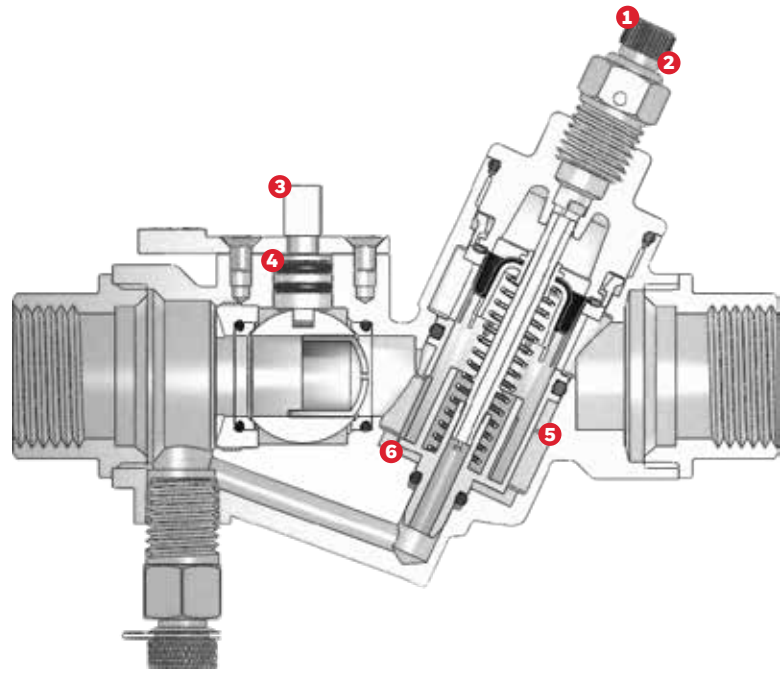
HOW DYNAMIC PRESSURE INDEPENDENT VALVE OPERATION WORKS

When conventional two-way valves in multi-zone systems open or close, the pressure flow characteristic of the pumps causes an immediate head pressure change to all other valves in the system, resulting in overflow or underflow.

Dynamic pressure regulation, as shown in this illustration of a Honeywell VRN Flow Control Valve, maintains the required flow rate through the valve by regulating the pressure drop across the control valve seat.

The actuator modulates the control valve portion of the valves to the required flow based on heating or cooling load requirements, independent of supply pressure. When the room controller is in balance, actuator movement stops and the valve is now set at optimum flow. If system head pressure changes, the built-in diaphragm regulator compensates for the change, maintaining the flow required by the control system without using the actuator. Flow will not change until the control system needs to respond to an external change in thermal load or to a change in set point.

Simply put, Honeywell VRN Flow Control Valves balance the system at every point over the range of the control valve within 5% accuracy at published pressure ratings. The result is consistent comfort, increased energy efficiency and increased actuator life.



- 1 Integral Snubber**
- 2 Optional Test Ports** — Facilitates system set-up for balancing report.
- 3 Choice Of Actuators**
- 4 Field Serviceable Stem** — Only Honeywell makes ball valves that can be serviced in place.
- 5 Stainless Steel Field-Replaceable, Positive-Pressure Regulator** — Instantly responds to changes in system pressure to maintain desired flow across the valve. Provides long-term durability and serviceability. Will not bottom out at extreme pressures, preventing abrupt loss of control. In addition, it is factory calibrated so there is no need for field commissioning.
- 6 High Turn-Down Ratio/Equal Percentage Flow** — Results in linear heat transfer for optimal control. Unlike designs that use a disc that sits outside of the ball, the characterized insert is integral to the ball, resulting in longer service life and higher differential pressure capabilities.

EVEN MORE TIME SAVINGS

Selecting, installing and commissioning Honeywell VRN and VRW Pressure Independent Flow Control Valves is a quick and cost-effective process. The valves feature an integrated pressure control cartridge that delivers flow balancing and control functions in one package. And there's **no Cv calculation required** — just pick the valve that matches the flow requirements. Honeywell makes it that easy.

Honeywell VRN and VRW Pressure Independent Flow Control Valves also offer unique labor saving features in the event of future service requirements. The **field serviceable stem** — a Honeywell ball valve exclusive — allows the valves to be serviced in the field rather than cut from the pipe. The pressure regulating cartridge is also field serviceable.

VRN PRODUCT INFORMATION



VRN two-way dynamic pressure independent control ball valves maintain constant flow of hot or chilled water in closed loop heating, ventilating and air conditioning (HVAC) systems regardless of head pressure fluctuations above the minimum specified pressure drop. These valve assemblies are used with Honeywell actuators with minimum torque of 27 lb-in (3Nm) up to 1-1/4 inch valve size, and 44 lb-in (5Nm) up to 3 inch valve size. The VRN Series is threaded and is used for threaded connections and lower capacity applications. The main differences between the Honeywell VRN and VRW control valves are the installation style and the capacity.

1/2 inch to 3 inch NPT connection size compatible

Flow range from 1 to 95 gpm

Control chilled or hot water with up to 50% Glycol. Not for use with steam or fuels.

Manual override to control valve during installation or in the event of power failure

Eliminates reverse return piping designs, saving time and material

Manual override for system flushing, filling and service

Fluid temperature rating of -22° F to 250° F

Quick product selection time by choosing the model that satisfies flow requirements

For retrofit applications, simply set precise flow required by limiting actuator stroke mechanically or with a controller

Less torque is needed, so you can use lower-cost, low-torque actuators on larger pipe sizes

Fail-safe models configurable for normally open or normally closed return

VRN Valves and actuators can be ordered separately or as assemblies

Five year warranty

PRODUCT SELECTION - VALVES

Pressure Independent Control Valves with Non Spring Return Actuators 1/2"-1 1/4"



Example of complete orderable part number: **VRN2A005.00SA + MVN643A0000 + C1**
 Pressure Independent Control Valve, Female NPT Thread, 2-way, 1/2", 5 GPM, Stainless Steel trim with
 MVN643A0000 Actuator, Fail in place and 1 meter cable.

**5-YEAR
LIMITED
WARRANTY**

If the complete orderable part number is too long for your ordering system,
 please refer to the Short Order Codes on pgs 10-29.

Valve Specification				Valve Profile	Standard Profile		Black Bracket			
Valve Size (inches)	Differential Pressure, psid		Close-off	Valve Trim	Plated Brass	Stainless Steel	Plated Brass	Stainless Steel		
	Min	Max		Max. gpm	Valve Body Model Number					
1/2"	3.0	35	100	1.0	VRN2A001.00PA	VRN2A001.00SA	VRN2A001.00PX	VRN2A001.00SX		
				2.0	VRN2A002.00PA	VRN2A002.00SA	VRN2A002.00PX	VRN2A002.00SX		
				3.0	VRN2A003.00PA	VRN2A003.00SA	VRN2A003.00PX	VRN2A003.00SX		
				4.0	VRN2A004.00PA	VRN2A004.00SA	VRN2A004.00PX	VRN2A004.00SX		
				5.0	VRN2A005.00PA	VRN2A005.00SA	VRN2A005.00PX	VRN2A005.00SX		
				6.0	VRN2A006.00PA	VRN2A006.00SA	VRN2A006.00PX	VRN2A006.00SX		
				7.0	VRN2A007.00PA	VRN2A007.00SA	VRN2A007.00PX	VRN2A007.00SX		
3/4"	3.0	35	100	1.0	VRN2B001.00PA	VRN2B001.00SA	VRN2B001.00PX	VRN2B001.00SX		
				2.0	VRN2B002.00PA	VRN2B002.00SA	VRN2B002.00PX	VRN2B002.00SX		
				3.0	VRN2B003.00PA	VRN2B003.00SA	VRN2B003.00PX	VRN2B003.00SX		
				4.0	VRN2B004.00PA	VRN2B004.00SA	VRN2B004.00PX	VRN2B004.00SX		
				5.0	VRN2B005.00PA	VRN2B005.00SA	VRN2B005.00PX	VRN2B005.00SX		
				6.0	VRN2B006.00PA	VRN2B006.00SA	VRN2B006.00PX	VRN2B006.00SX		
				7.0	VRN2B007.00PA	VRN2B007.00SA	VRN2B007.00PX	VRN2B007.00SX		
	6.0	35	100	8.0	VRN2B008.00PA	VRN2B008.00SA	VRN2B008.00PX	VRN2B008.00SX		
				9.0	VRN2B009.00PA	VRN2B009.00SA	VRN2B009.00PX	VRN2B009.00SX		
				10.0	VRN2B010.00PA	VRN2B010.00SA	VRN2B010.00PX	VRN2B010.00SX		
1"	3.0	35	100	1.0	VRN2C001.00PA	VRN2C001.00SA	VRN2C001.00PX	VRN2C001.00SX		
				2.0	VRN2C002.00PA	VRN2C002.00SA	VRN2C002.00PX	VRN2C002.00SX		
				3.0	VRN2C003.00PA	VRN2C003.00SA	VRN2C003.00PX	VRN2C003.00SX		
				4.0	VRN2C004.00PA	VRN2C004.00SA	VRN2C004.00PX	VRN2C004.00SX		
				5.0	VRN2C005.00PA	VRN2C005.00SA	VRN2C005.00PX	VRN2C005.00SX		
				6.0	VRN2C006.00PA	VRN2C006.00SA	VRN2C006.00PX	VRN2C006.00SX		
				7.0	VRN2C007.00PA	VRN2C007.00SA	VRN2C007.00PX	VRN2C007.00SX		
	6.0	35	100	8.0	VRN2C008.00PA	VRN2C008.00SA	VRN2C008.00PX	VRN2C008.00SX		
				9.0	VRN2C009.00PA	VRN2C009.00SA	VRN2C009.00PX	VRN2C009.00SX		
				10	VRN2C010.00PA	VRN2C010.00SA	VRN2C010.00PX	VRN2C010.00SX		
3.0	50	100	15	VRN2C015.00PA	VRN2C015.00SA	VRN2C015.00PX	VRN2C015.00SX			
			20	VRN2C020.00PA	VRN2C020.00SA	VRN2C020.00PX	VRN2C020.00SX			
			3.0	50	100	15	VRN2D015.00PA	VRN2D015.00SA	VRN2D015.00PX	VRN2D015.00SX
			20			VRN2D020.00PA	VRN2D020.00SA	VRN2D020.00PX	VRN2D020.00SX	
			25			VRN2D025.00PA	VRN2D025.00SA	VRN2D025.00PX	VRN2D025.00SX	
30	VRN2D030.00PA	VRN2D030.00SA	VRN2D030.00PX			VRN2D030.00SX				
35	VRN2D035.00PA	VRN2D035.00SA	VRN2D035.00PX			VRN2D035.00SX				

Actuator Features				MVN Standard Profile	DCA or DCA w/ switches
Control Signal	Timing	Voltage	Enclosure	Actuator Model Number	
Floating	90 sec.	24 VAC/DC*	NEMA 2	+MVN613A0000	+MN6105A1011 or +MN6105A1201
Fast SPDT	30 sec.			+MVN643A0000	
Modulating	90 sec.			+MVN713A0000	+MN7505A2001 or +MN7505A2209
Accessories	1 meter cable			+C1	N/A
	NEMA 3R enclosure			N/A	+3R

PRODUCT SELECTION - VALVES

Pressure Independent Control Valves with Non Spring Return Actuators 1½"-3" |



Example of complete orderable part number: **VRN2E020.00SX + MN6105A1011**
 Pressure Independent Control Valve, Female NPT Thread, 2-way, 1-1/2", 20 GPM, Stainless Steel trim with
 MN6105A1011 Actuator, Fail in place.

**5-YEAR
 LIMITED
 WARRANTY**

If the complete orderable part number is too long for your ordering system,
 please refer to the Short Order Codes on pgs 10-29.

Valve Specification			Valve Profile	Black Bracket			
Valve Size (inches)	Differential Pressure, psid		Valve Trim	Plated Brass	Stainless Steel		
	Min	Max	Max. gpm	Valve Body Model Number			
1-1/2"	3.0	50	10	VRN2E010.00PX	VRN2E010.00SX		
			15	VRN2E015.00PX	VRN2E015.00SX		
			20	VRN2E020.00PX	VRN2E020.00SX		
			25	VRN2E025.00PX	VRN2E025.00SX		
	4.0	58	30	VRN2E030.00PX	VRN2E030.00SX		
			35	VRN2E035.00PX	VRN2E035.00SX		
			40	VRN2E040.00PX	VRN2E040.00SX		
			45	VRN2E045.00PX	VRN2E045.00SX		
			50	VRN2E050.00PX	VRN2E050.00SX		
			55	VRN2E055.00PX	VRN2E055.00SX		
			60	VRN2E060.00PX	VRN2E060.00SX		
			65	VRN2E065.00PX	VRN2E065.00SX		
7.0	58	70	VRN2E070.00PX	VRN2E070.00SX			
		75	VRN2E075.00PX	VRN2E075.00SX			
		80	VRN2E080.00PX	VRN2E080.00SX			
		85	VRN2E085.00PX	VRN2E085.00SX			
		95	VRN2E095.00PX	VRN2E095.00SX			
		11.0	VRN2E110.00PX	VRN2E110.00SX			
2"	4.0	58	25	VRN2F025.00PX	VRN2F025.00SX		
			30	VRN2F030.00PX	VRN2F030.00SX		
			35	VRN2F035.00PX	VRN2F035.00SX		
			40	VRN2F040.00PX	VRN2F040.00SX		
	6.0	58	45	VRN2F045.00PX	VRN2F045.00SX		
			50	VRN2F050.00PX	VRN2F050.00SX		
			55	VRN2F055.00PX	VRN2F055.00SX		
			60	VRN2F060.00PX	VRN2F060.00SX		
			65	VRN2F065.00PX	VRN2F065.00SX		
			70	VRN2F070.00PX	VRN2F070.00SX		
	7.0	58	75	VRN2F075.00PX	VRN2F075.00SX		
			80	VRN2F080.00PX	VRN2F080.00SX		
85			VRN2F085.00PX	VRN2F085.00SX			
95			VRN2F095.00PX	VRN2F095.00SX			
25			VRN2G025.00PX	VRN2G025.00SX			
2-1/2"			4.0	58	30	VRN2G030.00PX	VRN2G030.00SX
	35	VRN2G035.00PX			VRN2G035.00SX		
	40	VRN2G040.00PX			VRN2G040.00SX		
	45	VRN2G045.00PX			VRN2G045.00SX		
	6.0	58	50	VRN2G050.00PX	VRN2G050.00SX		
			55	VRN2G055.00PX	VRN2G055.00SX		
			60	VRN2G060.00PX	VRN2G060.00SX		
			65	VRN2G065.00PX	VRN2G065.00SX		
			70	VRN2G070.00PX	VRN2G070.00SX		
			75	VRN2G075.00PX	VRN2G075.00SX		
			80	VRN2G080.00PX	VRN2G080.00SX		
			85	VRN2G085.00PX	VRN2G085.00SX		
7.0	58	95	VRN2G095.00PX	VRN2G095.00SX			
		25	VRN2H025.00PX	VRN2H025.00SX			
		3"	4.0	58	30	VRN2H030.00PX	VRN2H030.00SX
					35	VRN2H035.00PX	VRN2H035.00SX
					40	VRN2H040.00PX	VRN2H040.00SX
					45	VRN2H045.00PX	VRN2H045.00SX
6.0	58		50	VRN2H050.00PX	VRN2H050.00SX		
			55	VRN2H055.00PX	VRN2H055.00SX		
			60	VRN2H060.00PX	VRN2H060.00SX		
			65	VRN2H065.00PX	VRN2H065.00SX		
			70	VRN2H070.00PX	VRN2H070.00SX		
			75	VRN2H075.00PX	VRN2H075.00SX		
			80	VRN2H080.00PX	VRN2H080.00SX		
			85	VRN2H085.00PX	VRN2H085.00SX		
7.0	58	95	VRN2H095.00PX	VRN2H095.00SX			
		10	VRN2H100.00PX	VRN2H100.00SX			
		12	58	12	VRN2H120.00PX	VRN2H120.00SX	

Actuator Features				
				DCA or DCA w/ switches
Control Signal	Timing	Voltage	Enclosure	Actuator Model Number
Floating	90 sec.	24 VAC/DC	NEMA 2	+MN6105A1011 or +MN6105A1201
Modulating	90 sec.			+MN7505A2001 or +MN7505A2209
Accessories	NEMA 3R enclosure			+3R

PRODUCT SELECTION - VALVES

Pressure Independent Control Valves With Spring Return Actuators 1/2"-1 1/4"



Example of complete orderable part number: **VRN2A005.00PX + MS7103A2024 + FSC**
 Pressure Independent Control Valve, Female NPT Thread, 2-way, 1/2", 5 GPM, Black Bracket, Plated Brass trim
 with MS7103A2024 Actuator, Fail closed.

**5-YEAR
LIMITED
WARRANTY**

If the complete orderable part number is too long for your ordering system, please refer to the Short Order Codes on pgs 10-29.

Valve Specification				Valve Profile	Black Bracket		Black Bracket	
				Valve Trim	Plated Brass	Stainless Steel	Plated Brass	Stainless Steel
Valve Size (inches)	Differential Pressure, psid		Close-off	Max. gpm	Valve Body Model Number			
	Min	Max						
1/2"	3.0	35	100	1.0	VRN2A001.00PX	VRN2A001.00SX	VRN2A001.00PX	VRN2A001.00SX
				2.0	VRN2A002.00PX	VRN2A002.00SX	VRN2A002.00PX	VRN2A002.00SX
				3.0	VRN2A003.00PX	VRN2A003.00SX	VRN2A003.00PX	VRN2A003.00SX
				4.0	VRN2A004.00PX	VRN2A004.00SX	VRN2A004.00PX	VRN2A004.00SX
				5.0	VRN2A005.00PX	VRN2A005.00SX	VRN2A005.00PX	VRN2A005.00SX
				6.0	VRN2A006.00PX	VRN2A006.00SX	VRN2A006.00PX	VRN2A006.00SX
				7.0	VRN2A007.00PX	VRN2A007.00SX	VRN2A007.00PX	VRN2A007.00SX
3/4"	3.0	35	100	1.0	VRN2B001.00PX	VRN2B001.00SX	VRN2B001.00PX	VRN2B001.00SX
				2.0	VRN2B002.00PX	VRN2B002.00SX	VRN2B002.00PX	VRN2B002.00SX
				3.0	VRN2B003.00PX	VRN2B003.00SX	VRN2B003.00PX	VRN2B003.00SX
				4.0	VRN2B004.00PX	VRN2B004.00SX	VRN2B004.00PX	VRN2B004.00SX
				5.0	VRN2B005.00PX	VRN2B005.00SX	VRN2B005.00PX	VRN2B005.00SX
				6.0	VRN2B006.00PX	VRN2B006.00SX	VRN2B006.00PX	VRN2B006.00SX
				7.0	VRN2B007.00PX	VRN2B007.00SX	VRN2B007.00PX	VRN2B007.00SX
	6.0	35	100	8.0	VRN2B008.00PX	VRN2B008.00SX	VRN2B008.00PX	VRN2B008.00SX
				9.0	VRN2B009.00PX	VRN2B009.00SX	VRN2B009.00PX	VRN2B009.00SX
				10	VRN2B010.00PX	VRN2B010.00SX	VRN2B010.00PX	VRN2B010.00SX
1"	3.0	35	100	1.0	VRN2C001.00PX	VRN2C001.00SX	VRN2C001.00PX	VRN2C001.00SX
				2.0	VRN2C002.00PX	VRN2C002.00SX	VRN2C002.00PX	VRN2C002.00SX
				3.0	VRN2C003.00PX	VRN2C003.00SX	VRN2C003.00PX	VRN2C003.00SX
				4.0	VRN2C004.00PX	VRN2C004.00SX	VRN2C004.00PX	VRN2C004.00SX
				5.0	VRN2C005.00PX	VRN2C005.00SX	VRN2C005.00PX	VRN2C005.00SX
				6.0	VRN2C006.00PX	VRN2C006.00SX	VRN2C006.00PX	VRN2C006.00SX
				7.0	VRN2C007.00PX	VRN2C007.00SX	VRN2C007.00PX	VRN2C007.00SX
	6.0	35	100	8.0	VRN2C008.00PX	VRN2C008.00SX	VRN2C008.00PX	VRN2C008.00SX
				9.0	VRN2C009.00PX	VRN2C009.00SX	VRN2C009.00PX	VRN2C009.00SX
				10	VRN2C010.00PX	VRN2C010.00SX	VRN2C010.00PX	VRN2C010.00SX
3.0	50	100	15	VRN2C015.00PX	VRN2C015.00SX	VRN2C015.00PX	VRN2C015.00SX	
			4.0	VRN2C020.00PX	VRN2C020.00SX	VRN2C020.00PX	VRN2C020.00SX	
			20	VRN2C020.00PX	VRN2C020.00SX	VRN2C020.00PX	VRN2C020.00SX	
1-1/4"	3.0	50	100	10	VRN2D010.00PX	VRN2D010.00SX	VRN2D010.00PX	VRN2D010.00SX
				15	VRN2D015.00PX	VRN2D015.00SX	VRN2D015.00PX	VRN2D015.00SX
	4.0			20	VRN2D020.00PX	VRN2D020.00SX	VRN2D020.00PX	VRN2D020.00SX
				25	VRN2D025.00PX	VRN2D025.00SX	VRN2D025.00PX	VRN2D025.00SX
	5.0			30	VRN2D030.00PX	VRN2D030.00SX	VRN2D030.00PX	VRN2D030.00SX
				35	VRN2D035.00PX	VRN2D035.00SX	VRN2D035.00PX	VRN2D035.00SX
6.5	58	35	VRN2D035.00PX	VRN2D035.00SX	VRN2D035.00PX	VRN2D035.00SX		

Actuator Features

				DCA or DCA w/ switches		DCA or DCA w/ switches		
Control Signal	Timing	Voltage	Enclosure	Actuator Model Number				
Modulating	90 sec.	24 VAC/DC	NEMA 2	+MS7103A2024 or +MS7103A2224		+MS7505A2030 or +MS7505A2130		
Sytk	30-180 sec.			+MS3103J1023 or +MS3103J1223				
2-position	45 sec.	120 VAC				+MS8105A1030 or +MS8105A1130		
2-position	45 sec.					+MS4105A1030 or +MS4105A1130		
Fail Safe Position	FSO - Fail Safe Open, FSC - Fail Safe Closed				+FSO or +FSC		+FSO or +FSC	
Accessories	NEMA 3R enclosure				N/A		+3R	

Note: MS7505A2030 and MS7505A2130 are only available with NEMA 3R enclosure on 1/2" - 1-1/4" valves, for NEMA 2 use MS7103A2024 or MS7103A2224

PRODUCT SELECTION - VALVES

Pressure Independent Control Valves With Spring Return Actuators 1½"-3"



Example of complete orderable part number: **VRN2E020.00SX + MS7505A2030 + FSC**
 Pressure Independent Control Valve, Female NPT Thread, 2-way, 1-1/2", 20 GPM, Stainless Steel trim with MS7505A2030 Actuator, Fail closed.

5-YEAR
LIMITED
WARRANTY

If the complete orderable part number is too long for your ordering system, please refer to the Short Order Codes on pgs 10-29.

Valve Specification			Valve Profile	Black Bracket			
Valve Size (inches)	Differential Pressure, psid		Valve Trim	Plated Brass	Stainless Steel		
	Min	Max	Max. gpm	Valve Body Model Number			
1-1/2"	3.0	50	100	10	VRN2E010.00PX	VRN2E010.00SX	
				15	VRN2E015.00PX	VRN2E015.00SX	
				20	VRN2E020.00PX	VRN2E020.00SX	
				25	VRN2E025.00PX	VRN2E025.00SX	
				30	VRN2E030.00PX	VRN2E030.00SX	
				35	VRN2E035.00PX	VRN2E035.00SX	
	4.0	58		40	VRN2E040.00PX	VRN2E040.00SX	
				45	VRN2E045.00PX	VRN2E045.00SX	
				50	VRN2E050.00PX	VRN2E050.00SX	
				55	VRN2E055.00PX	VRN2E055.00SX	
				60	VRN2E060.00PX	VRN2E060.00SX	
				65	VRN2E065.00PX	VRN2E065.00SX	
2"	4.0	58	100	70	VRN2E070.00PX	VRN2E070.00SX	
				75	VRN2E075.00PX	VRN2E075.00SX	
				80	VRN2E080.00PX	VRN2E080.00SX	
				85	VRN2E085.00PX	VRN2E085.00SX	
				95	VRN2E095.00PX	VRN2E095.00SX	
				25	VRN2F025.00PX	VRN2F025.00SX	
	6.0			58	30	VRN2F030.00PX	VRN2F030.00SX
					35	VRN2F035.00PX	VRN2F035.00SX
					40	VRN2F040.00PX	VRN2F040.00SX
					45	VRN2F045.00PX	VRN2F045.00SX
					50	VRN2F050.00PX	VRN2F050.00SX
					55	VRN2F055.00PX	VRN2F055.00SX
2-1/2"	4.0	58	100	60	VRN2F060.00PX	VRN2F060.00SX	
				65	VRN2F065.00PX	VRN2F065.00SX	
				70	VRN2F070.00PX	VRN2F070.00SX	
				75	VRN2F075.00PX	VRN2F075.00SX	
				25	VRN2G025.00PX	VRN2G025.00SX	
				6.0	58	30	VRN2G030.00PX
	35					VRN2G035.00PX	VRN2G035.00SX
	40					VRN2G040.00PX	VRN2G040.00SX
	45					VRN2G045.00PX	VRN2G045.00SX
	50					VRN2G050.00PX	VRN2G050.00SX
	55					VRN2G055.00PX	VRN2G055.00SX
	3"			4.0	58	100	60
65		VRN2G065.00PX	VRN2G065.00SX				
70		VRN2G070.00PX	VRN2G070.00SX				
75		VRN2G075.00PX	VRN2G075.00SX				
80		VRN2G080.00PX	VRN2G080.00SX				
85		VRN2G085.00PX	VRN2G085.00SX				
6.0		58	95	VRN2G095.00PX			VRN2G095.00SX
			25	VRN2H025.00PX			VRN2H025.00SX
			30	VRN2H030.00PX			VRN2H030.00SX
			35	VRN2H035.00PX			VRN2H035.00SX
			40	VRN2H040.00PX			VRN2H040.00SX
			45	VRN2H045.00PX			VRN2H045.00SX
3"	7.0	58	100	50	VRN2H050.00PX	VRN2H050.00SX	
				55	VRN2H055.00PX	VRN2H055.00SX	
				60	VRN2H060.00PX	VRN2H060.00SX	
				65	VRN2H065.00PX	VRN2H065.00SX	
				70	VRN2H070.00PX	VRN2H070.00SX	
				75	VRN2H075.00PX	VRN2H075.00SX	
	10			58	80	VRN2H080.00PX	VRN2H080.00SX
					85	VRN2H085.00PX	VRN2H085.00SX
					95	VRN2H095.00PX	VRN2H095.00SX

Actuator Features				DCA or DCA w/ switches
Control Signal	Timing	Voltage	Enclosure	Actuator Model Number
Floating	90 sec.	24 VAC/DC	NEMA 2	+MS7505A2030 or +MS7505A2130
2-position	45 sec.			+MS8105A1030 or +MS8105A1130
2-position	45 sec.	120 VAC		+MS4105A1030 or +MS4105A1130
Fail Safe Position	FSO - Fail Safe Open, FSC - Fail Safe Closed			+FSO or +FSC
Accessories	NEMA 3R enclosure			+3R

PRODUCT SELECTION - VALVES

Pressure Independent Control Valves, NPT 1/2"-1 1/4"



Actuator Features		Non Fail Safe								
Actuator O.S Number/ Short Order Code		MVN613A0000		MVN613A0000+C1		MVN643A0000		MVN643A0000+C1		
Power Supply	Voltage	24 VAC		24 VAC		24 VAC/DC		24 VAC/DC		
	Frequency	50/60 Hz		50/60 Hz		50/60 Hz		50/60 Hz		
	Power	1.5 VA		1.5 VA		6 VA		6 VA		
Actuator Torque	(lb.-in.)	27		27		27		27		
	Control	Modulating (0)2-10Vdc								
	Floating	•		•		•		•		
	Fast acting SPDT									
Actuator Stroke (degrees)		90° ± 3°		90° ± 3°		90° ± 3°		90° ± 3°		
Timing (seconds)		90		90		30		30		
Fail Safe Action		Fail in Place		Fail in Place		Fail in Place		Fail in Place		
Valve Features		Trim	Nickel-Plated Brass	Stainless Steel	Nickel-Plated Brass	Stainless Steel	Nickel-Plated Brass	Stainless Steel	Nickel-Plated Brass	Stainless Steel

Valve Size (inches)	Differential Pressure** (psid)		Close-off Pressure (psid)	Max. GPM	Short Order Codes							
	Min.	Max.			No Cable		1 Meter Cable		No Cable		1 Meter Cable	
1/2"	3.0	35	100	1	VRN2ABPA1000	VRN2ABSA1000	VRN2ABPA1001	VRN2ABSA1001	VRN2ABPA2000	VRN2ABSA2000	VRN2ABPA2001	VRN2ABSA2001
				2	VRN2ADPA1000	VRN2ADSA1000	VRN2ADPA1001	VRN2ADSA1001	VRN2ADPA2000	VRN2ADSA2000	VRN2ADPA2001	VRN2ADSA2001
				3	VRN2AEPa1000	VRN2AESA1000	VRN2AEPa1001	VRN2AESA1001	VRN2AEPa2000	VRN2AESA2000	VRN2AEPa2001	VRN2AESA2001
				4	VRN2AFPA1000	VRN2AFSA1000	VRN2AFPA1001	VRN2AFSA1001	VRN2AFPA2000	VRN2AFSA2000	VRN2AFPA2001	VRN2AFSA2001
				5	VRN2AGPA1000	VRN2AGSA1000	VRN2AGPA1001	VRN2AGSA1001	VRN2AGPA2000	VRN2AGSA2000	VRN2AGPA2001	VRN2AGSA2001
				6	VRN2AHPA1000	VRN2AHTSA1000	VRN2AHPA1001	VRN2AHTSA1001	VRN2AHPA2000	VRN2AHTSA2000	VRN2AHPA2001	VRN2AHTSA2001
				7	VRN2AJPA1000	VRN2AJSA1000	VRN2AJPA1001	VRN2AJSA1001	VRN2AJPA2000	VRN2AJSA2000	VRN2AJPA2001	VRN2AJSA2001
3/4"	3.0	35	100	1	VRN2BBPA1000	VRN2BBSA1000	VRN2BBPA1001	VRN2BBSA1001	VRN2BBPA2000	VRN2BBSA2000	VRN2BBPA2001	VRN2BBSA2001
				2	VRN2BDPA1000	VRN2BDSA1000	VRN2BDPA1001	VRN2BDSA1001	VRN2BDPA2000	VRN2BDSA2000	VRN2BDPA2001	VRN2BDSA2001
				3	VRN2BEPa1000	VRN2BESA1000	VRN2BEPa1001	VRN2BESA1001	VRN2BEPa2000	VRN2BESA2000	VRN2BEPa2001	VRN2BESA2001
				4	VRN2BFPA1000	VRN2BFSA1000	VRN2BFPA1001	VRN2BFSA1001	VRN2BFPA2000	VRN2BFSA2000	VRN2BFPA2001	VRN2BFSA2001
				5	VRN2BGPA1000	VRN2BGSA1000	VRN2BGPA1001	VRN2BGSA1001	VRN2BGPA2000	VRN2BGSA2000	VRN2BGPA2001	VRN2BGSA2001
				6	VRN2BHPA1000	VRN2BHSA1000	VRN2BHPA1001	VRN2BHSA1001	VRN2BHPA2000	VRN2BHSA2000	VRN2BHPA2001	VRN2BHSA2001
				7	VRN2BJPA1000	VRN2BJSa1000	VRN2BJPA1001	VRN2BJSa1001	VRN2BJPA2000	VRN2BJSa2000	VRN2BJPA2001	VRN2BJSa2001
	6.0	8	VRN2BKPA1000	VRN2BKSA1000	VRN2BKPA1001	VRN2BKSA1001	VRN2BKPA2000	VRN2BKSA2000	VRN2BKPA2001	VRN2BKSA2001		
		9	VRN2BLPA1000	VRN2BLSA1000	VRN2BLPA1001	VRN2BLSA1001	VRN2BLPA2000	VRN2BLSA2000	VRN2BLPA2001	VRN2BLSA2001		
		10*	VRN2BMPa1000	VRN2BMSA1000	VRN2BMPa1001	VRN2BMSA1001	VRN2BMPa2000	VRN2BMSA2000	VRN2BMPa2001	VRN2BMSA2001		
1"	3.0	35	100	1	VRN2CBPA1000	VRN2CBSA1000	VRN2CBPA1001	VRN2CBSA1001	VRN2CBPA2000	VRN2CBSA2000	VRN2CBPA2001	VRN2CBSA2001
				2	VRN2CDPA1000	VRN2CDSA1000	VRN2CDPA1001	VRN2CDSA1001	VRN2CDPA2000	VRN2CDSA2000	VRN2CDPA2001	VRN2CDSA2001
				3	VRN2CEPA1000	VRN2CESA1000	VRN2CEPA1001	VRN2CESA1001	VRN2CEPA2000	VRN2CESA2000	VRN2CEPA2001	VRN2CESA2001
				4	VRN2CFPA1000	VRN2CFSA1000	VRN2CFPA1001	VRN2CFSA1001	VRN2CFPA2000	VRN2CFSA2000	VRN2CFPA2001	VRN2CFSA2001
				5	VRN2CGPA1000	VRN2CGSA1000	VRN2CGPA1001	VRN2CGSA1001	VRN2CGPA2000	VRN2CGSA2000	VRN2CGPA2001	VRN2CGSA2001
				6	VRN2CHPA1000	VRN2CHSA1000	VRN2CHPA1001	VRN2CHSA1001	VRN2CHPA2000	VRN2CHSA2000	VRN2CHPA2001	VRN2CHSA2001
				7	VRN2CJPA1000	VRN2CJSa1000	VRN2CJPA1001	VRN2CJSa1001	VRN2CJPA2000	VRN2CJSa2000	VRN2CJPA2001	VRN2CJSa2001
	6.0	8	VRN2CKPA1000	VRN2CKSA1000	VRN2CKPA1001	VRN2CKSA1001	VRN2CKPA2000	VRN2CKSA2000	VRN2CKPA2001	VRN2CKSA2001		
		9	VRN2CLPA1000	VRN2CLSA1000	VRN2CLPA1001	VRN2CLSA1001	VRN2CLPA2000	VRN2CLSA2000	VRN2CLPA2001	VRN2CLSA2001		
		10	VRN2CMPa1000	VRN2CMSA1000	VRN2CMPa1001	VRN2CMSA1001	VRN2CMPa2000	VRN2CMSA2000	VRN2CMPa2001	VRN2CMSA2001		
1-1/4"	4.0	50	100	10	VRN2CNPA1000	VRN2CNSA1000	VRN2CNPA1001	VRN2CNSA1001	VRN2CNPA2000	VRN2CNSA2000	VRN2CNPA2001	VRN2CNSA2001
				15	VRN2CPSA1000	VRN2CPSA1000	VRN2CPSA1001	VRN2CPSA1001	VRN2CPSA2000	VRN2CPSA2000	VRN2CPSA2001	VRN2CPSA2001
				20	VRN2DMPa1000	VRN2DMSA1000	VRN2DMPa1001	VRN2DMSA1001	VRN2DMPa2000	VRN2DMSA2000	VRN2DMPa2001	VRN2DMSA2001
				25	VRN2DNPA1000	VRN2DNSA1000	VRN2DNPA1001	VRN2DNSA1001	VRN2DNPA2000	VRN2DNSA2000	VRN2DNPA2001	VRN2DNSA2001
				30	VRN2DPPa1000	VRN2DPSA1000	VRN2DPPa1001	VRN2DPSA1001	VRN2DPPa2000	VRN2DPSA2000	VRN2DPPa2001	VRN2DPSA2001
				35*	VRN2DQPA1000	VRN2DQSA1000	VRN2DQPA1001	VRN2DQSA1001	VRN2DQPA2000	VRN2DQSA2000	VRN2DQPA2001	VRN2DQSA2001
				6.5	VRN2DRPA1000	VRN2DRSA1000	VRN2DRPA1001	VRN2DRSA1001	VRN2DRPA2000	VRN2DRSA2000	VRN2DRPA2001	VRN2DRSA2001

* Full port ball

** Differential pressure regulator operating range, ±5%

PRODUCT SELECTION - VALVES

Pressure Independent Control Valves, NPT 1/2"-1 1/4"



Actuator Features		Non Fail Safe				Valve Only		
Actuator O.S Number/ Short Order Code		MVN713A0000		MVN713A0000+C1		N/A		
Power Supply	Voltage	24 VAC/DC		24 VAC/DC				
	Frequency	50/60 Hz		50/60 Hz				
	Power	5 VA		5 VA				
Actuator Torque	(lb.-in.)	27		27				
	Control	Modulating (0)2-10Vdc		•				
	Floating							
	Fast acting SPDT							
Actuator Stroke (degrees)		90° ± 3°		90° ± 3°				
Timing (seconds)		90		90				
Fail Safe Action		Fail in Place		Fail in Place				
Valve Features		Trim	Nickel-Plated Brass	Stainless Steel	Nickel-Plated Brass	Stainless Steel	Nickel-Plated Brass	Stainless Steel

Valve Size (inches)	Differential Pressure** (psid)		Close-off Pressure (psid)	Max. GPM	Short Order Codes					
	Min.	Max.			No Cable		1 Meter Cable		Valve Only	
1/2"	3.0	35	100	1	VRN2ABPA3000	VRN2ABSA3000	VRN2ABPA3001	VRN2ABSA3001	VRN2ABPA0000	VRN2ABSA0000
				2	VRN2ADPA3000	VRN2ADSA3000	VRN2ADPA3001	VRN2ADSA3001	VRN2ADPA0000	VRN2ADSA0000
				3	VRN2AEP3000	VRN2AESA3000	VRN2AEP3001	VRN2AESA3001	VRN2AEP0000	VRN2AESA0000
				4	VRN2AFPA3000	VRN2AFSA3000	VRN2AFPA3001	VRN2AFSA3001	VRN2AFPA0000	VRN2AFSA0000
				5	VRN2AGPA3000	VRN2AGSA3000	VRN2AGPA3001	VRN2AGSA3001	VRN2AGPA0000	VRN2AGSA0000
				6	VRN2AHPA3000	VRN2AHTSA3000	VRN2AHPA3001	VRN2AHTSA3001	VRN2AHPA0000	VRN2AHTSA0000
				7	VRN2AJPA3000	VRN2AJSA3000	VRN2AJPA3001	VRN2AJSA3001	VRN2AJPA0000	VRN2AJSA0000
3/4"	3.0	35	100	1	VRN2BBPA3000	VRN2BBSA3000	VRN2BBPA3001	VRN2BBSA3001	VRN2BBPA0000	VRN2BBSA0000
				2	VRN2BDPA3000	VRN2BDSA3000	VRN2BDPA3001	VRN2BDSA3001	VRN2BDPA0000	VRN2BDSA0000
				3	VRN2BEP3000	VRN2BESA3000	VRN2BEP3001	VRN2BESA3001	VRN2BEP0000	VRN2BESA0000
				4	VRN2BFPA3000	VRN2BFSA3000	VRN2BFPA3001	VRN2BFSA3001	VRN2BFPA0000	VRN2BFSA0000
				5	VRN2BGPA3000	VRN2BGSA3000	VRN2BGPA3001	VRN2BGSA3001	VRN2BGPA0000	VRN2BGSA0000
				6	VRN2BHPA3000	VRN2BHSA3000	VRN2BHPA3001	VRN2BHSA3001	VRN2BHPA0000	VRN2BHSA0000
				7	VRN2BJPA3000	VRN2BJS3000	VRN2BJPA3001	VRN2BJS3001	VRN2BJPA0000	VRN2BJS3000
	6.0	8	VRN2BKPA3000	VRN2BKSA3000	VRN2BKPA3001	VRN2BKSA3001	VRN2BKPA0000	VRN2BKSA0000		
		9	VRN2BLPA3000	VRN2BLSA3000	VRN2BLPA3001	VRN2BLSA3001	VRN2BLPA0000	VRN2BLSA0000		
		10*	VRN2BMPA3000	VRN2BMSA3000	VRN2BMPA3001	VRN2BMSA3001	VRN2BMPA0000	VRN2BMSA0000		
1"	3.0	35	100	1	VRN2CBPA3000	VRN2CBSA3000	VRN2CBPA3001	VRN2CBSA3001	VRN2CBPA0000	VRN2CBSA0000
				2	VRN2CDPA3000	VRN2CDSA3000	VRN2CDPA3001	VRN2CDSA3001	VRN2CDPA0000	VRN2CDSA0000
				3	VRN2CEPA3000	VRN2CESA3000	VRN2CEPA3001	VRN2CESA3001	VRN2CEPA0000	VRN2CESA0000
				4	VRN2CFPA3000	VRN2CFSA3000	VRN2CFPA3001	VRN2CFSA3001	VRN2CFPA0000	VRN2CFSA0000
				5	VRN2CGPA3000	VRN2CGSA3000	VRN2CGPA3001	VRN2CGSA3001	VRN2CGPA0000	VRN2CGSA0000
				6	VRN2CHPA3000	VRN2CHSA3000	VRN2CHPA3001	VRN2CHSA3001	VRN2CHPA0000	VRN2CHSA0000
				7	VRN2CJPA3000	VRN2CJSA3000	VRN2CJPA3001	VRN2CJSA3001	VRN2CJPA0000	VRN2CJSA0000
	6.0	8	VRN2CKPA3000	VRN2CKSA3000	VRN2CKPA3001	VRN2CKSA3001	VRN2CKPA0000	VRN2CKSA0000		
		9	VRN2CLPA3000	VRN2CLSA3000	VRN2CLPA3001	VRN2CLSA3001	VRN2CLPA0000	VRN2CLSA0000		
		10	VRN2CMPA3000	VRN2CMSA3000	VRN2CMPA3001	VRN2CMSA3001	VRN2CMPA0000	VRN2CMSA0000		
4.0	50	100	15	VRN2CNPA3000	VRN2CN3000	VRN2CNPA3001	VRN2CN3001	VRN2CNPA0000	VRN2CN3000	
			20	VRN2CPPA3000	VRN2CPSA3000	VRN2CPPA3001	VRN2CPSA3001	VRN2CPPA0000	VRN2CPSA0000	
			10	VRN2DMPA3000	VRN2DMSA3000	VRN2DMPA3001	VRN2DMSA3001	VRN2DMPA0000	VRN2DMSA0000	
			15	VRN2DNPA3000	VRN2DN3000	VRN2DNPA3001	VRN2DN3001	VRN2DNPA0000	VRN2DN3000	
			20	VRN2DPPA3000	VRN2DPSA3000	VRN2DPPA3001	VRN2DPSA3001	VRN2DPPA0000	VRN2DPSA0000	
5.0	50	100	25	VRN2DQPA3000	VRN2DQSA3000	VRN2DQPA3001	VRN2DQSA3001	VRN2DQPA0000	VRN2DQSA0000	
			30	VRN2DRPA3000	VRN2DRSA3000	VRN2DRPA3001	VRN2DRSA3001	VRN2DRPA0000	VRN2DRSA0000	
			35*	VRN2DSPA3000	VRN2DSSA3000	VRN2DSPA3001	VRN2DSSA3001	VRN2DSPA0000	VRN2DSSA0000	
6.5										

* Full port ball

** Differential pressure regulator operating range, ±5%

PRODUCT SELECTION - VALVES

Pressure Independent Control Valves, NPT 1/2"-1 1/4" NEMA 2



Actuator Features		Non Fail Safe	
Actuator O.S Number		MN6105A1011	MN6105A1201
Power Supply	Voltage	24 VAC/DC	24 VAC/DC
	Frequency	50 / 60 Hz	50 / 60 Hz
	Power	5 VA	5 VA
Actuator Torque	(lb.-in.)	44	44
Control	(0)2-10Vdc		
	4-20 mA (w/ external 500 Ohm Resistor)		
	Floating	•	•
	Two-Position SPDT	•	•
	Two-Position SPST		
Actuator Stroke	(degrees)	95° ± 3°	95° ± 3°
Timing	(drive/spring return, seconds)	90	90
Aux Switch		0	2
Feedback	2-10 Vdc Built In	-	-
Fail Safe Action		Stay in Place	Stay in Place
	(no signal)	Stay in Place	Stay in Place
Valve Features	Trim	Nickel-Plated Brass	Stainless Steel
		Nickel-Plated Brass	Stainless Steel

Valve Size (inches)	Differential Pressure** (psid)		Close-off Pressure (psid)	Max. GPM	Short Order Codes			
	Min.	Max.						
1/2"	3.0	35	100	1	VRN2ABPX4000	VRN2ABSX4000	VRN2ABPXC000	VRN2ABSXC000
				2	VRN2ADPX4000	VRN2ADSX4000	VRN2ADPXC000	VRN2ADSXC000
				3	VRN2AEPX4000	VRN2AESX4000	VRN2AEPXC000	VRN2AESXC000
				4	VRN2AFPX4000	VRN2AFSX4000	VRN2AFPXC000	VRN2AFSXC000
				5	VRN2AGPX4000	VRN2AGSX4000	VRN2AGPXC000	VRN2AGSXC000
				6	VRN2AHPX4000	VRN2AHSX4000	VRN2AHPXC000	VRN2AHSXC000
				7	VRN2AJPX4000	VRN2AJSX4000	VRN2AJPXC000	VRN2AJSXC000
3/4"	3.0	35	100	1	VRN2BBPX4000	VRN2BBSX4000	VRN2BBPXC000	VRN2BBSXC000
				2	VRN2BDPX4000	VRN2BDSX4000	VRN2BDPXC000	VRN2BDSXC000
				3	VRN2BEPX4000	VRN2BESX4000	VRN2BEPXC000	VRN2BESXC000
				4	VRN2BFPX4000	VRN2BFSX4000	VRN2BFPXC000	VRN2BFSXC000
				5	VRN2BGPX4000	VRN2BGSX4000	VRN2BGPXC000	VRN2BGSXC000
				6	VRN2BHPX4000	VRN2BHSX4000	VRN2BHPXC000	VRN2BHSXC000
				7	VRN2BJPX4000	VRN2BJSX4000	VRN2BJPXC000	VRN2BJSXC000
	6.0	35	100	8	VRN2BKPX4000	VRN2BKSX4000	VRN2BKPXC000	VRN2BKSXC000
				9	VRN2BLPX4000	VRN2BLSX4000	VRN2BLPXC000	VRN2BLSXC000
				10*	VRN2BMPX4000	VRN2BMSX4000	VRN2BMPXC000	VRN2BMSXC000
1"	3.0	35	100	1	VRN2CBPX4000	VRN2CBSX4000	VRN2CBPXC000	VRN2CBSXC000
				2	VRN2CDPX4000	VRN2CDSX4000	VRN2CDPXC000	VRN2CDSXC000
				3	VRN2CEPX4000	VRN2CESX4000	VRN2CEPXC000	VRN2CESXC000
				4	VRN2CFPX4000	VRN2CFSX4000	VRN2CFPXC000	VRN2CFSXC000
				5	VRN2CGPX4000	VRN2CGSX4000	VRN2CGPXC000	VRN2CGSXC000
				6	VRN2CHPX4000	VRN2CHSX4000	VRN2CHPXC000	VRN2CHSXC000
				7	VRN2CJPX4000	VRN2CJSX4000	VRN2CJPXC000	VRN2CJSXC000
	6.0	35	100	8	VRN2CKPX4000	VRN2CKSX4000	VRN2CKPXC000	VRN2CKSXC000
				9	VRN2CLPX4000	VRN2CLSX4000	VRN2CLPXC000	VRN2CLSXC000
				10	VRN2CMPX4000	VRN2CMSX4000	VRN2CMPXC000	VRN2CMSXC000
4.0	50	100	15	VRN2CNPX4000	VRN2CNSX4000	VRN2CNPXC000	VRN2CNSXC000	
			20	VRN2CPPX4000	VRN2CPSX4000	VRN2CPPXC000	VRN2CPSXC000	
			10	VRN2DMPX4000	VRN2DMSX4000	VRN2DMPXC000	VRN2DMSXC000	
1-1/4"	4.0	50	100	15	VRN2DNPX4000	VRN2DNSX4000	VRN2DNPXC000	VRN2DNSXC000
				20	VRN2DPPX4000	VRN2DPSX4000	VRN2DPPXC000	VRN2DPSXC000
	25			VRN2DQPX4000	VRN2DQSX4000	VRN2DQPXC000	VRN2DQSXC000	
	30			VRN2DRPX4000	VRN2DRSX4000	VRN2DRPXC000	VRN2DRSXC000	
	6.5			35*	VRN2DSPX4000	VRN2DSX4000	VRN2DSPXC000	VRN2DSXC000

* Full port ball

** Differential pressure regulator operating range, ±5%

PRODUCT SELECTION - VALVES

Pressure Independent Control Valves, NPT 1/2"-1 1/4" NEMA 2



Actuator Features		Non Fail Safe				Valve Only	
Actuator O.S Number		MN7505A2001		MN7505A2209		N/A	
Power Supply	Voltage	24 VAC/DC		24 VAC/DC			
	Frequency	50 / 60 Hz		50 / 60 Hz			
	Power	5 VA		5 VA			
Actuator Torque	(lb.-in.)	44		44			
Control	(O)2-1.0Vdc	•		•			
	4-20 mA (w/ external 500 Ohm Resistor)	•		•			
	Floating	•		•			
	Two-Position SPDT	•		•			
	Two-Position SPST	•		•			
Actuator Stroke	(degrees)	95° ± 3°		95° ± 3°			
Timing	(drive/spring return, seconds)	90		90			
Aux Switch		0		2			
Feedback	2-10 Vdc Built In	•		•			
Fail Safe Action		Stay in Place		Stay in Place			
Normal Position	(no signal)	Closed		Closed			
Valve Features	Trim	Nickel-Plated Brass	Stainless Steel	Nickel-Plated Brass	Stainless Steel	Nickel-Plated Brass	Stainless Steel

Valve Size (inches)	Differential Pressure** (psid)		Close-off Pressure (psid)	Max. GPM	Short Order Codes							
	Min.	Max.			VRN2ABPX5000	VRN2ABSX5000	VRN2ADPX0000	VRN2ADSX0000	VRN2AEPX0000	VRN2AESX0000	VRN2AFPX0000	VRN2AFSX0000
1/2"	3.0	35	100	1	VRN2ABPX5000	VRN2ABSX5000	VRN2ADPX0000	VRN2ADSX0000	VRN2AEPX0000	VRN2AESX0000	VRN2AFPX0000	VRN2AFSX0000
				2	VRN2ADPX5000	VRN2ADSX5000	VRN2AEPX0000	VRN2AESX0000	VRN2AFPX0000	VRN2AFSX0000		
				3	VRN2AEPX5000	VRN2AESX5000	VRN2AFPX0000	VRN2AFSX0000				
				4	VRN2AFPX5000	VRN2AFSX5000	VRN2AGPX0000	VRN2AGSX0000	VRN2AHPX0000	VRN2AHSX0000		
				5	VRN2AGPX5000	VRN2AGSX5000	VRN2AHPX0000	VRN2AHSX0000	VRN2AJPX0000	VRN2AJSX0000		
				6	VRN2AHPX5000	VRN2AHSX5000	VRN2AJPX0000	VRN2AJSX0000				
				7	VRN2AJPX5000	VRN2AJSX5000						
3/4"	3.0	35	100	1	VRN2BBPX5000	VRN2BBSX5000	VRN2BDPX0000	VRN2BDSX0000	VRN2BEPX0000	VRN2BESX0000	VRN2BFPX0000	VRN2BFSX0000
				2	VRN2BDPX5000	VRN2BDSX5000	VRN2BEPX0000	VRN2BESX0000	VRN2BFPX0000	VRN2BFSX0000		
				3	VRN2BEPX5000	VRN2BESX5000	VRN2BFPX0000	VRN2BFSX0000				
				4	VRN2BFPX5000	VRN2BFSX5000	VRN2BGPX0000	VRN2BGSX0000	VRN2BHPX0000	VRN2BHSX0000		
				5	VRN2BGPX5000	VRN2BGSX5000	VRN2BHPX0000	VRN2BHSX0000	VRN2BJPX0000	VRN2BJSX0000		
				6	VRN2BHPX5000	VRN2BHSX5000	VRN2BJPX0000	VRN2BJSX0000				
				7	VRN2BJPX5000	VRN2BJSX5000						
	6.0	35	100	8	VRN2BKPX5000	VRN2BKSX5000	VRN2BLPX0000	VRN2BLSX0000	VRN2BMPX0000	VRN2BMSX0000		
				9	VRN2BLPX5000	VRN2BLSX5000	VRN2BMPX0000	VRN2BMSX0000				
				10*	VRN2BMPX5000	VRN2BMSX5000						
1"	3.0	35	100	1	VRN2CBPX5000	VRN2CBSX5000	VRN2CDPX0000	VRN2CDSX0000	VRN2CEPX0000	VRN2CESX0000	VRN2CFPX0000	VRN2CFSX0000
				2	VRN2CDPX5000	VRN2CDSX5000	VRN2CEPX0000	VRN2CESX0000	VRN2CFPX0000	VRN2CFSX0000		
				3	VRN2CEPX5000	VRN2CESX5000	VRN2CFPX0000	VRN2CFSX0000				
				4	VRN2CFPX5000	VRN2CFSX5000	VRN2CHPX0000	VRN2CHSX0000	VRN2CJJPX0000	VRN2CJSX0000		
				5	VRN2CHPX5000	VRN2CHSX5000	VRN2CJJPX0000	VRN2CJSX0000	VRN2CKPX0000	VRN2CKSX0000		
				6	VRN2CJJPX5000	VRN2CJSX5000	VRN2CKPX0000	VRN2CKSX0000	VRN2CLPX0000	VRN2CLSX0000		
				7	VRN2CKPX5000	VRN2CKSX5000	VRN2CLPX0000	VRN2CLSX0000	VRN2CMPX0000	VRN2CMSX0000		
	6.0	35	100	8	VRN2CLPX5000	VRN2CLSX5000	VRN2CMPX0000	VRN2CMSX0000	VRN2CNPX0000	VRN2CNSX0000	VRN2CPPX0000	VRN2CPSX0000
				9	VRN2CMPX5000	VRN2CMSX5000	VRN2CNPX0000	VRN2CNSX0000	VRN2CPPX0000	VRN2CPSX0000		
				10	VRN2CNPX5000	VRN2CNSX5000	VRN2CPPX0000	VRN2CPSX0000				
4.0	50	100	10	VRN2DMPX5000	VRN2DMSX5000	VRN2DNPX0000	VRN2DNSX0000	VRN2DPPX0000	VRN2DPSX0000	VRN2DQPX0000	VRN2DQSX0000	
			15	VRN2DNPX5000	VRN2DNSX5000	VRN2DPPX0000	VRN2DPSX0000	VRN2DQPX0000	VRN2DQSX0000			
			20	VRN2DPPX5000	VRN2DPSX5000	VRN2DQPX0000	VRN2DQSX0000					
			25	VRN2DQPX5000	VRN2DQSX5000	VRN2DRPX0000	VRN2DRSX0000					
			30	VRN2DRPX5000	VRN2DRSX5000	VRN2DSPX0000	VRN2DSSX0000					
6.5	50	100	35*	VRN2DSPX5000	VRN2DSSX5000							

* Full port ball

** Differential pressure regulator operating range, ±5%

PRODUCT SELECTION - VALVES

Pressure Independent Control Valves, NPT 1/2"-1 1/4" NEMA 2



Actuator Features		Fail Safe								
Actuator O.S Number		MS3103J1023			MS3103J1223					
Power Supply	Voltage	24 VAC/DC			24 VAC/DC					
	Frequency	50 / 60 Hz			50 / 60 Hz					
	Power	4.5 VA			4.5 VA					
Actuator Torque	(lb.-in.)	27			27					
Control	(O)2-10Vdc									
	4-20 mA (w/ external 500 Ohm Resistor)									
	Sylk	•			•					
	Two-Position SPDT									
	Two-Position SPST									
Actuator Stroke	(degrees)	95° ± 3°			95° ± 3°					
Timing	(drive/spring return, seconds)	30-180 / 25			30-180 / 25					
Aux Switch		0			2					
Feedback		Sylk			Sylk					
Fail Safe Action		Closed	Open	Closed	Open	Closed	Open			
Normal Position	(no signal)	Closed		Open		Closed		Open		
Valve Features		Trim	Nickel-Plated Brass	Stainless Steel	Nickel-Plated Brass	Stainless Steel	Nickel-Plated Brass	Stainless Steel	Nickel-Plated Brass	Stainless Steel

Valve Size (inches)	Differential Pressure** (psid)		Close-off Pressure (psid)	Max. GPM	Short Order Codes									
	Min.	Max.			1	2	3	4	5	6	7	8	9	10*
1/2"	3.0	35	100	1	VRN2ABPXG201	VRN2ABSXG201	VRN2ABPXG101	VRN2ABSXG101	VRN2ABPXH201	VRN2ABSXH201	VRN2ABPXH101	VRN2ABSXH101		
				2	VRN2ADPXG201	VRN2ADSXG201	VRN2ADPXG101	VRN2ADSXG101	VRN2ADPXH201	VRN2ADSXH201	VRN2ADPXH101	VRN2ADSXH101		
				3	VRN2AEPXG201	VRN2AESXG201	VRN2AEPXG101	VRN2AESXG101	VRN2AEPXH201	VRN2AESXH201	VRN2AEPXH101	VRN2AESXH101		
				4	VRN2AFPXG201	VRN2AFSXG201	VRN2AFPXG101	VRN2AFSXG101	VRN2AFPXH201	VRN2AFSXH201	VRN2AFPXH101	VRN2AFSXH101		
				5	VRN2AGPXG201	VRN2AGSXG201	VRN2AGPXG101	VRN2AGSXG101	VRN2AGPXH201	VRN2AGSXH201	VRN2AGPXH101	VRN2AGSXH101		
				6	VRN2AHPXG201	VRN2AHSXG201	VRN2AHPXG101	VRN2AHSXG101	VRN2AHPXH201	VRN2AHSXH201	VRN2AHPXH101	VRN2AHSXH101		
				7	VRN2AJPXG201	VRN2AJSXG201	VRN2AJPXG101	VRN2AJSXG101	VRN2AJPXH201	VRN2AJSXH201	VRN2AJPXH101	VRN2AJSXH101		
3/4"	3.0	35	100	1	VRN2BBPXG201	VRN2BBSXG201	VRN2BBPXG101	VRN2BBSXG101	VRN2BBPXH201	VRN2BBSXH201	VRN2BBPXH101	VRN2BBSXH101		
				2	VRN2BDPXG201	VRN2BDSXG201	VRN2BDPXG101	VRN2BDSXG101	VRN2BDPXH201	VRN2BDSXH201	VRN2BDPXH101	VRN2BDSXH101		
				3	VRN2BEPXG201	VRN2BESXG201	VRN2BEPXG101	VRN2BESXG101	VRN2BEPXH201	VRN2BESXH201	VRN2BEPXH101	VRN2BESXH101		
				4	VRN2BFPXG201	VRN2BFSXG201	VRN2BFPXG101	VRN2BFSXG101	VRN2BFPXH201	VRN2BFSXH201	VRN2BFPXH101	VRN2BFSXH101		
				5	VRN2BGPXG201	VRN2BGSXG201	VRN2BGPXG101	VRN2BGSXG101	VRN2BGPXH201	VRN2BGSXH201	VRN2BGPXH101	VRN2BGSXH101		
				6	VRN2BHPXG201	VRN2BHSXG201	VRN2BHPXG101	VRN2BHSXG101	VRN2BHPXH201	VRN2BHSXH201	VRN2BHPXH101	VRN2BHSXH101		
				7	VRN2BJPXG201	VRN2BJSXG201	VRN2BJPXG101	VRN2BJSXG101	VRN2BJPXH201	VRN2BJSXH201	VRN2BJPXH101	VRN2BJSXH101		
	6.0	8	VRN2BKPXG201	VRN2BKSXG201	VRN2BKPXG101	VRN2BKSXG101	VRN2BKPXH201	VRN2BKSXH201	VRN2BKPXH101	VRN2BKSXH101				
		9	VRN2BLPXG201	VRN2BLSXG201	VRN2BLPXG101	VRN2BLSXG101	VRN2BLPXH201	VRN2BLSXH201	VRN2BLPXH101	VRN2BLSXH101				
		10*	VRN2BMPXG201	VRN2BMSXG201	VRN2BMPXG101	VRN2BMSXG101	VRN2BMPXH201	VRN2BMSXH201	VRN2BMPXH101	VRN2BMSXH101				
1"	3.0	35	100	1	VRN2CBPXG201	VRN2CBSXG201	VRN2CBPXG101	VRN2CBSXG101	VRN2CBPXH201	VRN2CBSXH201	VRN2CBPXH101	VRN2CBSXH101		
				2	VRN2CDPXG201	VRN2CDSXG201	VRN2CDPXG101	VRN2CDSXG101	VRN2CDPXH201	VRN2CDSXH201	VRN2CDPXH101	VRN2CDSXH101		
				3	VRN2CEPXG201	VRN2CESXG201	VRN2CEPXG101	VRN2CESXG101	VRN2CEPXH201	VRN2CESXH201	VRN2CEPXH101	VRN2CESXH101		
				4	VRN2CFPXG201	VRN2CFSXG201	VRN2CFPXG101	VRN2CFSXG101	VRN2CFPXH201	VRN2CFSXH201	VRN2CFPXH101	VRN2CFSXH101		
				5	VRN2CGPXG201	VRN2CGSXG201	VRN2CGPXG101	VRN2CGSXG101	VRN2CGPXH201	VRN2CGSXH201	VRN2CGPXH101	VRN2CGSXH101		
				6	VRN2CHPXG201	VRN2CHSXG201	VRN2CHPXG101	VRN2CHSXG101	VRN2CHPXH201	VRN2CHSXH201	VRN2CHPXH101	VRN2CHSXH101		
				7	VRN2CJPXG201	VRN2CJSXG201	VRN2CJPXG101	VRN2CJSXG101	VRN2CJPXH201	VRN2CJSXH201	VRN2CJPXH101	VRN2CJSXH101		
	6.0	8	VRN2CKPXG201	VRN2CKSXG201	VRN2CKPXG101	VRN2CKSXG101	VRN2CKPXH201	VRN2CKSXH201	VRN2CKPXH101	VRN2CKSXH101				
		9	VRN2CLPXG201	VRN2CLSXG201	VRN2CLPXG101	VRN2CLSXG101	VRN2CLPXH201	VRN2CLSXH201	VRN2CLPXH101	VRN2CLSXH101				
		10	VRN2CMPXG201	VRN2CMSXG201	VRN2CMPXG101	VRN2CMSXG101	VRN2CMPXH201	VRN2CMSXH201	VRN2CMPXH101	VRN2CMSXH101				
4.0	50	100	15	VRN2CNPXG201	VRN2CNSXG201	VRN2CNPXG101	VRN2CNSXG101	VRN2CNPXH201	VRN2CNSXH201	VRN2CNPXH101	VRN2CNSXH101			
			20	VRN2CPPXG201	VRN2CPSXG201	VRN2CPPXG101	VRN2CPSXG101	VRN2CPPXH201	VRN2CPSXH201	VRN2CPPXH101	VRN2CPSXH101			
			10	VRN2DMPXG201	VRN2DMSXG201	VRN2DMPXG101	VRN2DMSXG101	VRN2DMPXH201	VRN2DMSXH201	VRN2DMPXH101	VRN2DMSXH101			
1-1/4"	50	100	15	VRN2DNPXG201	VRN2DNSXG201	VRN2DNPXG101	VRN2DNSXG101	VRN2DNPXH201	VRN2DNSXH201	VRN2DNPXH101	VRN2DNSXH101			
			20	VRN2DPPXG201	VRN2DPSXG201	VRN2DPPXG101	VRN2DPSXG101	VRN2DPPXH201	VRN2DPSXH201	VRN2DPPXH101	VRN2DPSXH101			
			25	VRN2DQPXG201	VRN2DQSXG201	VRN2DQPXG101	VRN2DQSXG101	VRN2DQPXH201	VRN2DQSXH201	VRN2DQPXH101	VRN2DQSXH101			
			30	VRN2DRPXG201	VRN2DRSXG201	VRN2DRPXG101	VRN2DRSXG101	VRN2DRPXH201	VRN2DRSXH201	VRN2DRPXH101	VRN2DRSXH101			
			35*	VRN2DSPXG201	VRN2DSSXG201	VRN2DSPXG101	VRN2DSSXG101	VRN2DSPXH201	VRN2DSSXH201	VRN2DSPXH101	VRN2DSSXH101			

* Full port ball

** Differential pressure regulator operating range, ±5%

PRODUCT SELECTION - VALVES

Pressure Independent Control Valves, NPT 1/2"-1 1/4" NEMA 2



Actuator Features		Fail Safe			
Actuator O.S Number		MS7103A2024		MS7103A2224	
Power Supply	Voltage	24 VAC/DC		24 VAC/DC	
	Frequency	50 / 60 Hz		50 / 60 Hz	
	Power	4 VA		4 VA	
Actuator Torque	(lb.-in.)	27		27	
Control	(O)2-10Vdc	•		•	
	4-20 mA (w/ external 500 Ohm Resistor)	•		•	
	Floating				
	Two-Position SPDT				
	Two-Position SPST				
Actuator Stroke	(degrees)	95° ± 3°		95° ± 3°	
Timing	(drive/spring return, seconds)	90 / 25		90 / 25	
Aux Switch		0		2	
Feedback	2-10 Vdc Built In	•		•	
Fail Safe Action		Closed	Open	Closed	Open
Normal Position	(no signal)	Closed	Open	Closed	Open
Valve Features	Trim	Nickel-Plated Brass	Stainless Steel	Nickel-Plated Brass	Stainless Steel

Valve Size (inches)	Differential Pressure** (psid)		Close-off Pressure (psid)	Max. GPM	Short Order Codes									
	Min.	Max.			VRN2ABPX201	VRN2ABSXE201	VRN2ABPX101	VRN2ABSXE101	VRN2ABPXF201	VRN2ABSXF201	VRN2ABPXF101	VRN2ABSXF101		
1/2"	3.0	35	100	1	VRN2ADPX201	VRN2ADSXE201	VRN2ADPX101	VRN2ADSXE101	VRN2ADPXF201	VRN2ADSXF201	VRN2ADPXF101	VRN2ADSXF101		
				2	VRN2AEPXE201	VRN2AESXE201	VRN2AEPXE101	VRN2AESXE101	VRN2AEPXF201	VRN2AESXF201	VRN2AEPXF101	VRN2AESXF101		
				3	VRN2AFPXE201	VRN2AFSXE201	VRN2AFPXE101	VRN2AFSXE101	VRN2AFPXF201	VRN2AFSXF201	VRN2AFPXF101	VRN2AFSXF101		
				4	VRN2AGPXE201	VRN2AGSXE201	VRN2AGPXE101	VRN2AGSXE101	VRN2AGPXF201	VRN2AGSXF201	VRN2AGPXF101	VRN2AGSXF101		
				5	VRN2AHPXE201	VRN2AHSXE201	VRN2AHPXE101	VRN2AHSXE101	VRN2AHPXF201	VRN2AHSXF201	VRN2AHPXF101	VRN2AHSXF101		
				6	VRN2AJPXE201	VRN2AJSXE201	VRN2AJPXE101	VRN2AJSXE101	VRN2AJPF201	VRN2AJSXF201	VRN2AJPF101	VRN2AJSXF101		
				7	VRN2BBPXE201	VRN2BBSXE201	VRN2BBPXE101	VRN2BBSXE101	VRN2BBPXF201	VRN2BBSXF201	VRN2BBPXF101	VRN2BBSXF101		
3/4"	3.0	35	100	2	VRN2BDPXE201	VRN2BDSXE201	VRN2BDPXE101	VRN2BDSXE101	VRN2BDPXF201	VRN2BDSXF201	VRN2BDPXF101	VRN2BDSXF101		
				3	VRN2BEPXE201	VRN2BESXE201	VRN2BEPXE101	VRN2BESXE101	VRN2BEPXF201	VRN2BESXF201	VRN2BEPXF101	VRN2BESXF101		
				4	VRN2BFPXE201	VRN2BFSXE201	VRN2BFPXE101	VRN2BFSXE101	VRN2BFPXF201	VRN2BFSXF201	VRN2BFPXF101	VRN2BFSXF101		
				5	VRN2BGPXE201	VRN2BGSXE201	VRN2BGPXE101	VRN2BGSXE101	VRN2BGPXF201	VRN2BGSXF201	VRN2BGPXF101	VRN2BGSXF101		
				6	VRN2BHPXE201	VRN2BHSXE201	VRN2BHPXE101	VRN2BHSXE101	VRN2BHPXF201	VRN2BHSXF201	VRN2BHPXF101	VRN2BHSXF101		
				7	VRN2BJPXE201	VRN2BJSXE201	VRN2BJPXE101	VRN2BJSXE101	VRN2BJPF201	VRN2BJSXF201	VRN2BJPF101	VRN2BJSXF101		
				8	VRN2BKPXE201	VRN2BKSXE201	VRN2BKPXE101	VRN2BKSXE101	VRN2BKPXF201	VRN2BKSXF201	VRN2BKPXF101	VRN2BKSXF101		
	6.0	9	VRN2BLPXE201	VRN2BLSXE201	VRN2BLPXE101	VRN2BLSXE101	VRN2BLPXF201	VRN2BLSXF201	VRN2BLPXF101	VRN2BLSXF101				
		10*	VRN2BMPXE201	VRN2BMSXE201	VRN2BMPXE101	VRN2BMSXE101	VRN2BMPXF201	VRN2BMSXF201	VRN2BMPXF101	VRN2BMSXF101				
		1	VRN2CBPXE201	VRN2CBSXE201	VRN2CBPXE101	VRN2CBSXE101	VRN2CBPXF201	VRN2CBSXF201	VRN2CBPXF101	VRN2CBSXF101				
1"	3.0	35	100	2	VRN2CDPXE201	VRN2CDSXE201	VRN2CDPXE101	VRN2CDSXE101	VRN2CDPXF201	VRN2CDSXF201	VRN2CDPXF101	VRN2CDSXF101		
				3	VRN2CEPXE201	VRN2CESXE201	VRN2CEPXE101	VRN2CESXE101	VRN2CEPXF201	VRN2CESXF201	VRN2CEPXF101	VRN2CESXF101		
				4	VRN2CFPXE201	VRN2CFSXE201	VRN2CFPXE101	VRN2CFSXE101	VRN2CFPXF201	VRN2CFSXF201	VRN2CFPXF101	VRN2CFSXF101		
				5	VRN2CGPXE201	VRN2CGSXE201	VRN2CGPXE101	VRN2CGSXE101	VRN2CGPXF201	VRN2CGSXF201	VRN2CGPXF101	VRN2CGSXF101		
				6	VRN2CHPXE201	VRN2CHSXE201	VRN2CHPXE101	VRN2CHSXE101	VRN2CHPXF201	VRN2CHSXF201	VRN2CHPXF101	VRN2CHSXF101		
				7	VRN2CJPXE201	VRN2CJSXE201	VRN2CJPXE101	VRN2CJSXE101	VRN2CJPF201	VRN2CJSXF201	VRN2CJPF101	VRN2CJSXF101		
				8	VRN2CKPXE201	VRN2CKSXE201	VRN2CKPXE101	VRN2CKSXE101	VRN2CKPXF201	VRN2CKSXF201	VRN2CKPXF101	VRN2CKSXF101		
	6.0	9	VRN2CLPXE201	VRN2CLSXE201	VRN2CLPXE101	VRN2CLSXE101	VRN2CLPXF201	VRN2CLSXF201	VRN2CLPXF101	VRN2CLSXF101				
		10	VRN2CMPXE201	VRN2CMSXE201	VRN2CMPXE101	VRN2CMSXE101	VRN2CMPXF201	VRN2CMSXF201	VRN2CMPXF101	VRN2CMSXF101				
		15	VRN2CNPXE201	VRN2CNSXE201	VRN2CNPXE101	VRN2CNSXE101	VRN2CNPXF201	VRN2CNSXF201	VRN2CNPXF101	VRN2CNSXF101				
1-1/4"	4.0	50	100	20	VRN2CPPXE201	VRN2CPSXE201	VRN2CPPXE101	VRN2CPSXE101	VRN2CPPXF201	VRN2CPSXF201	VRN2CPPXF101	VRN2CPSXF101		
				10	VRN2DMPXE201	VRN2DMSXE201	VRN2DMPXE101	VRN2DMSXE101	VRN2DMPXF201	VRN2DMSXF201	VRN2DMPXF101	VRN2DMSXF101		
				15	VRN2DNPXE201	VRN2DNSXE201	VRN2DNPXE101	VRN2DNSXE101	VRN2DNPXF201	VRN2DNSXF201	VRN2DNPXF101	VRN2DNSXF101		
				20	VRN2DPPXE201	VRN2DPSXE201	VRN2DPPXE101	VRN2DPSXE101	VRN2DPPXF201	VRN2DPSXF201	VRN2DPPXF101	VRN2DPSXF101		
				25	VRN2DQPXE201	VRN2DQSXE201	VRN2DQPXE101	VRN2DQSXE101	VRN2DQPXF201	VRN2DQSXF201	VRN2DQPXF101	VRN2DQSXF101		
5.0	30	VRN2DRPXE201	VRN2DRSXE201	VRN2DRPXE101	VRN2DRSXE101	VRN2DRPXF201	VRN2DRSXF201	VRN2DRPXF101	VRN2DRSXF101					
	35*	VRN2DSPXE201	VRN2DSSXE201	VRN2DSPXE101	VRN2DSSXE101	VRN2DSPXF201	VRN2DSSXF201	VRN2DSPXF101	VRN2DSSXF101					
6.5														

* Full port ball

** Differential pressure regulator operating range, ±5%

PRODUCT SELECTION - VALVES

Pressure Independent Control Valves, NPT 1/2"-1 1/4" NEMA 2



Actuator Features		Fail Safe			
Actuator O.S Number		MS8105A1030		MS8105A1130	
Power Supply	Voltage	24 VAC/DC		24 VAC/DC	
	Frequency	50 / 60 Hz		50 / 60 Hz	
	Power	6 VA		6 VA	
Actuator Torque	(lb.-in.)	44		44	
Control	(O)2-10Vdc				
	4-20 mA (w/ external 500 Ohm Resistor)				
	Floating				
	Two-Position SPDT				
	Two-Position SPST	•		•	
Actuator Stroke	(degrees)	95° ± 3°		95° ± 3°	
Timing	(drive/spring return, seconds)	45 / 25		45 / 25	
Aux Switch		0		1	
Feedback	2-10 Vdc Built In				
Fail Safe Action		Closed	Open	Closed	Open
Normal Position	(no signal)	Closed	Open	Closed	Open
Valve Features	Trim	Nickel-Plated Brass	Stainless Steel	Nickel-Plated Brass	Stainless Steel

Valve Size (inches)	Differential Pressure** (psid)		Close-off Pressure (psid)	Max. GPM	Short Order Codes									
	Min.	Max.			VRN2ABPX7200	VRN2ABSX7200	VRN2ABPX7100	VRN2ABSX7100	VRN2ABPXA200	VRN2ABSXA200	VRN2ABPXA100	VRN2ABSXA100		
1/2"	3.0	35	100	1	VRN2ADPX7200	VRN2ADSX7200	VRN2ADPX7100	VRN2ADSX7100	VRN2ADPXA200	VRN2ADSXA200	VRN2ADPXA100	VRN2ADSXA100		
				2	VRN2AEPX7200	VRN2AESX7200	VRN2AEPX7100	VRN2AESX7100	VRN2AEPXA200	VRN2AESXA200	VRN2AEPXA100	VRN2AESXA100		
				3	VRN2AFPX7200	VRN2AFSX7200	VRN2AFPX7100	VRN2AFSX7100	VRN2AFPXA200	VRN2AFSXA200	VRN2AFPXA100	VRN2AFSXA100		
				4	VRN2AGPX7200	VRN2AGSX7200	VRN2AGPX7100	VRN2AGSX7100	VRN2AGPXA200	VRN2AGSXA200	VRN2AGPXA100	VRN2AGSXA100		
				5	VRN2AHPX7200	VRN2AHSX7200	VRN2AHPX7100	VRN2AHSX7100	VRN2AHPXA200	VRN2AHSXA200	VRN2AHPXA100	VRN2AHSXA100		
				6	VRN2AJPX7200	VRN2AJSX7200	VRN2AJPX7100	VRN2AJSX7100	VRN2AJPXA200	VRN2AJSXA200	VRN2AJPXA100	VRN2AJSXA100		
				7	VRN2BBPX7200	VRN2BBSX7200	VRN2BBPX7100	VRN2BBSX7100	VRN2BBPXA200	VRN2BBSXA200	VRN2BBPXA100	VRN2BBSXA100		
3/4"	3.0	35	100	2	VRN2BDPX7200	VRN2BDSX7200	VRN2BDPX7100	VRN2BDSX7100	VRN2BDPXA200	VRN2BDSXA200	VRN2BDPXA100	VRN2BDSXA100		
				3	VRN2BEPX7200	VRN2BESX7200	VRN2BEPX7100	VRN2BESX7100	VRN2BEPXA200	VRN2BESXA200	VRN2BEPXA100	VRN2BESXA100		
				4	VRN2BFPX7200	VRN2BFSX7200	VRN2BFPX7100	VRN2BFSX7100	VRN2BFPXA200	VRN2BFSXA200	VRN2BFPXA100	VRN2BFSXA100		
				5	VRN2BGPX7200	VRN2BGSX7200	VRN2BGPX7100	VRN2BGSX7100	VRN2BGPXA200	VRN2BGSXA200	VRN2BGPXA100	VRN2BGSXA100		
				6	VRN2BHPX7200	VRN2BHSX7200	VRN2BHPX7100	VRN2BHSX7100	VRN2BHPXA200	VRN2BHSXA200	VRN2BHPXA100	VRN2BHSXA100		
				7	VRN2BJPX7200	VRN2BJSX7200	VRN2BJPX7100	VRN2BJSX7100	VRN2BJPXA200	VRN2BJSXA200	VRN2BJPXA100	VRN2BJSXA100		
				8	VRN2BKPX7200	VRN2BKSX7200	VRN2BKPX7100	VRN2BKSX7100	VRN2BKPXA200	VRN2BKSXA200	VRN2BKPXA100	VRN2BKSXA100		
	6.0	9	VRN2BLPX7200	VRN2BLSX7200	VRN2BLPX7100	VRN2BLSX7100	VRN2BLPXA200	VRN2BLSXA200	VRN2BLPXA100	VRN2BLSXA100				
		10*	VRN2BMPX7200	VRN2BMSX7200	VRN2BMPX7100	VRN2BMSX7100	VRN2BMPXA200	VRN2BMSXA200	VRN2BMPXA100	VRN2BMSXA100				
		1	VRN2CBPX7200	VRN2CBSX7200	VRN2CBPX7100	VRN2CBSX7100	VRN2CBPXA200	VRN2CBSXA200	VRN2CBPXA100	VRN2CBSXA100				
1"	3.0	35	100	2	VRN2CDPX7200	VRN2CDSX7200	VRN2CDPX7100	VRN2CDSX7100	VRN2CDPXA200	VRN2CDSXA200	VRN2CDPXA100	VRN2CDSXA100		
				3	VRN2CEPX7200	VRN2CESX7200	VRN2CEPX7100	VRN2CESX7100	VRN2CEPXA200	VRN2CESXA200	VRN2CEPXA100	VRN2CESXA100		
				4	VRN2CFPX7200	VRN2CFSX7200	VRN2CFPX7100	VRN2CFSX7100	VRN2CFPXA200	VRN2CFSXA200	VRN2CFPXA100	VRN2CFSXA100		
				5	VRN2CGPX7200	VRN2CGSX7200	VRN2CGPX7100	VRN2CGSX7100	VRN2CGPXA200	VRN2CGSXA200	VRN2CGPXA100	VRN2CGSXA100		
				6	VRN2CHPX7200	VRN2CHSX7200	VRN2CHPX7100	VRN2CHSX7100	VRN2CHPXA200	VRN2CHSXA200	VRN2CHPXA100	VRN2CHSXA100		
				7	VRN2CJPX7200	VRN2CJSX7200	VRN2CJPX7100	VRN2CJSX7100	VRN2CJPXA200	VRN2CJSXA200	VRN2CJPXA100	VRN2CJSXA100		
				8	VRN2CKPX7200	VRN2CKSX7200	VRN2CKPX7100	VRN2CKSX7100	VRN2CKPXA200	VRN2CKSXA200	VRN2CKPXA100	VRN2CKSXA100		
	6.0	9	VRN2CLPX7200	VRN2CLSX7200	VRN2CLPX7100	VRN2CLSX7100	VRN2CLPXA200	VRN2CLSXA200	VRN2CLPXA100	VRN2CLSXA100				
		10	VRN2CMPX7200	VRN2CMSX7200	VRN2CMPX7100	VRN2CMSX7100	VRN2CMPXA200	VRN2CMSXA200	VRN2CMPXA100	VRN2CMSXA100				
		15	VRN2CNPX7200	VRN2CNSX7200	VRN2CNPX7100	VRN2CNSX7100	VRN2CNPXA200	VRN2CNSXA200	VRN2CNPXA100	VRN2CNSXA100				
1-1/4"	4.0	50	100	20	VRN2CPSX7200	VRN2CPSX7200	VRN2CPSX7100	VRN2CPSX7100	VRN2CPSXA200	VRN2CPSXA200	VRN2CPSXA100	VRN2CPSXA100		
				10	VRN2DMPX7200	VRN2DMSX7200	VRN2DMPX7100	VRN2DMSX7100	VRN2DMPXA200	VRN2DMSXA200	VRN2DMPXA100	VRN2DMSXA100		
				15	VRN2DNPX7200	VRN2DNSX7200	VRN2DNPX7100	VRN2DNSX7100	VRN2DNPXA200	VRN2DNSXA200	VRN2DNPXA100	VRN2DNSXA100		
				20	VRN2DPPX7200	VRN2DPSX7200	VRN2DPPX7100	VRN2DPSX7100	VRN2DPPXA200	VRN2DPSXA200	VRN2DPPXA100	VRN2DPSXA100		
				25	VRN2DQPX7200	VRN2DQSX7200	VRN2DQPX7100	VRN2DQSX7100	VRN2DQPXA200	VRN2DQSXA200	VRN2DQPXA100	VRN2DQSXA100		
5.0	30	VRN2DRPX7200	VRN2DRSX7200	VRN2DRPX7100	VRN2DRSX7100	VRN2DRPXA200	VRN2DRSXA200	VRN2DRPXA100	VRN2DRSXA100					
		35*	VRN2DSPX7200	VRN2DSSX7200	VRN2DSPX7100	VRN2DSSX7100	VRN2DSPXA200	VRN2DSSXA200	VRN2DSPXA100	VRN2DSSXA100				
6.5														

* Full port ball

** Differential pressure regulator operating range, ±5%

Pressure Independent Control Valves, NPT 1/2"-1 1/4" NEMA 2



Actuator Features		Fail Safe			
Actuator O.S Number		MS4105A1030		MS4105A1130	
Power Supply	Voltage	100-250 VAC		100-250 VAC	
	Frequency	50 / 60 Hz		50 / 60 Hz	
	Power	6 VA		6 VA	
Actuator Torque	(lb.-in.)	44		44	
Control	(O)2-10Vdc				
	4-20 mA (w/ external 500 Ohm Resistor)				
	Floating				
	Two-Position SPDT				
	Two-Position SPST				
Actuator Stroke	(degrees)	95° ± 3°		95° ± 3°	
Timing	(drive/spring return, seconds)	45 / 25		45 / 25	
Aux Switch		0		1	
Feedback	2-10 Vdc Built In				
Fail Safe Action		Closed	Open	Closed	Open
Normal Position	(no signal)	Closed	Open	Closed	Open
Valve Features	Trim	Nickel-Plated Brass	Stainless Steel	Nickel-Plated Brass	Stainless Steel

Valve Size (inches)	Differential Pressure** (psid)		Close-off Pressure (psid)	Max. GPM	Short Order Codes							
	Min.	Max.			VRN2ABPX8200	VRN2ABSX8200	VRN2ABPX8100	VRN2ABSX8100	VRN2ABPX9200	VRN2ABSX9200	VRN2ABPX9100	VRN2ABSX9100
1/2"	3.0	35	100	1	VRN2ABPX8200	VRN2ABSX8200	VRN2ABPX8100	VRN2ABSX8100	VRN2ABPX9200	VRN2ABSX9200	VRN2ABPX9100	VRN2ABSX9100
				2	VRN2ADPX8200	VRN2ADSX8200	VRN2ADPX8100	VRN2ADSX8100	VRN2ADPX9200	VRN2ADSX9200	VRN2ADPX9100	VRN2ADSX9100
				3	VRN2AEPX8200	VRN2AESX8200	VRN2AEPX8100	VRN2AESX8100	VRN2AEPX9200	VRN2AESX9200	VRN2AEPX9100	VRN2AESX9100
				4	VRN2AFPX8200	VRN2AFSX8200	VRN2AFPX8100	VRN2AFSX8100	VRN2AFPX9200	VRN2AFSX9200	VRN2AFPX9100	VRN2AFSX9100
				5	VRN2AGPX8200	VRN2AGSX8200	VRN2AGPX8100	VRN2AGSX8100	VRN2AGPX9200	VRN2AGSX9200	VRN2AGPX9100	VRN2AGSX9100
				6	VRN2AHPX8200	VRN2AHSX8200	VRN2AHPX8100	VRN2AHSX8100	VRN2AHPX9200	VRN2AHSX9200	VRN2AHPX9100	VRN2AHSX9100
				7	VRN2AJPX8200	VRN2AJSX8200	VRN2AJPX8100	VRN2AJSX8100	VRN2AJPX9200	VRN2AJSX9200	VRN2AJPX9100	VRN2AJSX9100
3/4"	3.0	35	100	1	VRN2BBPX8200	VRN2BBSX8200	VRN2BBPX8100	VRN2BBSX8100	VRN2BBPX9200	VRN2BBSX9200	VRN2BBPX9100	VRN2BBSX9100
				2	VRN2BDPX8200	VRN2BDSX8200	VRN2BDPX8100	VRN2BDSX8100	VRN2BDPX9200	VRN2BDSX9200	VRN2BDPX9100	VRN2BDSX9100
				3	VRN2BEPX8200	VRN2BESX8200	VRN2BEPX8100	VRN2BESX8100	VRN2BEPX9200	VRN2BESX9200	VRN2BEPX9100	VRN2BESX9100
				4	VRN2BFPX8200	VRN2BFSX8200	VRN2BFPX8100	VRN2BFSX8100	VRN2BFPX9200	VRN2BFSX9200	VRN2BFPX9100	VRN2BFSX9100
				5	VRN2BGPX8200	VRN2BGSX8200	VRN2BGPX8100	VRN2BGSX8100	VRN2BGPX9200	VRN2BGSX9200	VRN2BGPX9100	VRN2BGSX9100
				6	VRN2BHPX8200	VRN2BHSX8200	VRN2BHPX8100	VRN2BHSX8100	VRN2BHPX9200	VRN2BHSX9200	VRN2BHPX9100	VRN2BHSX9100
				7	VRN2BJPX8200	VRN2BJSX8200	VRN2BJPX8100	VRN2BJSX8100	VRN2BJPX9200	VRN2BJSX9200	VRN2BJPX9100	VRN2BJSX9100
	6.0	8	VRN2BKPX8200	VRN2BKSX8200	VRN2BKPX8100	VRN2BKSX8100	VRN2BKPX9200	VRN2BKSX9200	VRN2BKPX9100	VRN2BKSX9100		
		9	VRN2BLPX8200	VRN2BLSX8200	VRN2BLPX8100	VRN2BLSX8100	VRN2BLPX9200	VRN2BLSX9200	VRN2BLPX9100	VRN2BLSX9100		
		10*	VRN2BMPX8200	VRN2BMSX8200	VRN2BMPX8100	VRN2BMSX8100	VRN2BMPX9200	VRN2BMSX9200	VRN2BMPX9100	VRN2BMSX9100		
1"	3.0	35	100	1	VRN2CBPX8200	VRN2CBSX8200	VRN2CBPX8100	VRN2CBSX8100	VRN2CBPX9200	VRN2CBSX9200	VRN2CBPX9100	VRN2CBSX9100
				2	VRN2CDPX8200	VRN2CDSX8200	VRN2CDPX8100	VRN2CDSX8100	VRN2CDPX9200	VRN2CDSX9200	VRN2CDPX9100	VRN2CDSX9100
				3	VRN2CEPX8200	VRN2CESX8200	VRN2CEPX8100	VRN2CESX8100	VRN2CEPX9200	VRN2CESX9200	VRN2CEPX9100	VRN2CESX9100
				4	VRN2CFPX8200	VRN2CFSX8200	VRN2CFPX8100	VRN2CFSX8100	VRN2CFPX9200	VRN2CFSX9200	VRN2CFPX9100	VRN2CFSX9100
				5	VRN2CGPX8200	VRN2CGSX8200	VRN2CGPX8100	VRN2CGSX8100	VRN2CGPX9200	VRN2CGSX9200	VRN2CGPX9100	VRN2CGSX9100
				6	VRN2CHPX8200	VRN2CHSX8200	VRN2CHPX8100	VRN2CHSX8100	VRN2CHPX9200	VRN2CHSX9200	VRN2CHPX9100	VRN2CHSX9100
				7	VRN2CJPX8200	VRN2CJSX8200	VRN2CJPX8100	VRN2CJSX8100	VRN2CJPX9200	VRN2CJSX9200	VRN2CJPX9100	VRN2CJSX9100
	6.0	8	VRN2CKPX8200	VRN2CKSX8200	VRN2CKPX8100	VRN2CKSX8100	VRN2CKPX9200	VRN2CKSX9200	VRN2CKPX9100	VRN2CKSX9100		
		9	VRN2CLPX8200	VRN2CLSX8200	VRN2CLPX8100	VRN2CLSX8100	VRN2CLPX9200	VRN2CLSX9200	VRN2CLPX9100	VRN2CLSX9100		
		10	VRN2CMPX8200	VRN2CMSX8200	VRN2CMPX8100	VRN2CMSX8100	VRN2CMPX9200	VRN2CMSX9200	VRN2CMPX9100	VRN2CMSX9100		
4.0	50	100	15	VRN2CNPX8200	VRN2CNSX8200	VRN2CNPX8100	VRN2CNSX8100	VRN2CNPX9200	VRN2CNSX9200	VRN2CNPX9100	VRN2CNSX9100	
			20	VRN2CPPX8200	VRN2CPSX8200	VRN2CPPX8100	VRN2CPSX8100	VRN2CPPX9200	VRN2CPSX9200	VRN2CPPX9100	VRN2CPSX9100	
			10	VRN2DMPX8200	VRN2DMSX8200	VRN2DMPX8100	VRN2DMSX8100	VRN2DMPX9200	VRN2DMSX9200	VRN2DMPX9100	VRN2DMSX9100	
1-1/4"	4.0	50	100	15	VRN2DNPX8200	VRN2DNSX8200	VRN2DNPX8100	VRN2DNSX8100	VRN2DNPX9200	VRN2DNSX9200	VRN2DNPX9100	VRN2DNSX9100
				20	VRN2DPPX8200	VRN2DPSX8200	VRN2DPPX8100	VRN2DPSX8100	VRN2DPPX9200	VRN2DPSX9200	VRN2DPPX9100	VRN2DPSX9100
				25	VRN2DQPX8200	VRN2DQSX8200	VRN2DQPX8100	VRN2DQSX8100	VRN2DQPX9200	VRN2DQSX9200	VRN2DQPX9100	VRN2DQSX9100
				30	VRN2DRPX8200	VRN2DRSX8200	VRN2DRPX8100	VRN2DRSX8100	VRN2DRPX9200	VRN2DRSX9200	VRN2DRPX9100	VRN2DRSX9100
				35*	VRN2DSPX8200	VRN2DSSX8200	VRN2DSPX8100	VRN2DSSX8100	VRN2DSPX9200	VRN2DSSX9200	VRN2DSPX9100	VRN2DSSX9100

* Full port ball

** Differential pressure regulator operating range, ±5%

PRODUCT SELECTION - VALVES

Pressure Independent Control Valves, NPT 1½"-3" NEMA 2



Actuator Features	Non Fail Safe	
Actuator O.S Number	MN6105A1011	MN6105A1201
Power Supply		
Voltage	24 VAC/DC	24 VAC/DC
Frequency	50 / 60 Hz	50 / 60 Hz
Power	5 VA	5 VA
Actuator Torque (lb.-in.)	44	44
Control (0)2-10Vdc		
4-20 mA (w/ external 500 Ohm Resistor)		
Floating	•	•
Two-Position SPDT	•	•
Two-Position SPST		
Actuator Stroke (degrees)	95° ± 3°	95° ± 3°
Timing (drive/spring return, seconds)	90	90
Aux Switch	0	2
Feedback 2-10 Vdc Built In	-	-
Fail Safe Action	Stay in Place	Stay in Place
Normal Position (no signal)	Stay in Place	Stay in Place
Valve Features Trim	Nickel-Plated Brass Stainless Steel	Nickel-Plated Brass Stainless Steel

Valve Size (inches)	Differential Pressure** (psid)		Close-off Pressure (psid)	Max. GPM	Short Order Codes			
	Min.	Max.						
1-1/2"	4	50	100	10	VRN2EMPX4000	VRN2EMX4000	VRN2EMPXC000	VRN2EMXC000
				15	VRN2ENPX4000	VRN2ENSX4000	VRN2ENPXC000	VRN2ENSXC000
	5	58		20	VRN2EPPX4000	VRN2EPSX4000	VRN2EPPXC000	VRN2EPSXC000
				25	VRN2EQPX4000	VRN2EQSX4000	VRN2EQPXC000	VRN2EQSXC000
	4	58		30	VRN2ERPX4000	VRN2ERSX4000	VRN2ERPXC000	VRN2ERSXC000
				35	VRN2ESPX4000	VRN2ESSX4000	VRN2ESPXC000	VRN2ESSXC000
	6	58		40	VRN2ETPX4000	VRN2ETSX4000	VRN2ETPXC000	VRN2ETSXC000
				45	VRN2EUPX4000	VRN2EUSX4000	VRN2EUPXC000	VRN2EUSXC000
	7	58		50	VRN2E1PX4000	VRN2E1SX4000	VRN2E1PXC000	VRN2E1SXC000
				55	VRN2E2PX4000	VRN2E2SX4000	VRN2E2PXC000	VRN2E2SXC000
	6	58		60	VRN2E3PX4000	VRN2E3SX4000	VRN2E3PXC000	VRN2E3SXC000
				65	VRN2E4PX4000	VRN2E4SX4000	VRN2E4PXC000	VRN2E4SXC000
	7	58		70	VRN2E5PX4000	VRN2E5SX4000	VRN2E5PXC000	VRN2E5SXC000
				75	VRN2E6PX4000	VRN2E6SX4000	VRN2E6PXC000	VRN2E6SXC000
11	58	80	VRN2E7PX4000	VRN2E7SX4000	VRN2E7PXC000	VRN2E7SXC000		
		85	VRN2E8PX4000	VRN2E8SX4000	VRN2E8PXC000	VRN2E8SXC000		
2"	4	58	95	VRN2E9PX4000	VRN2E9SX4000	VRN2E9PXC000	VRN2E9SXC000	
			25	VRN2FQPX4000	VRN2FQSX4000	VRN2FQPXC000	VRN2FQSXC000	
	6	58	30	VRN2FRPX4000	VRN2FRSX4000	VRN2FRPXC000	VRN2FRSXC000	
			35	VRN2FSPX4000	VRN2FSSX4000	VRN2FSPXC000	VRN2FSSXC000	
	7	58	40	VRN2FTPX4000	VRN2FTSX4000	VRN2FTPXC000	VRN2FTSXC000	
			45	VRN2FUPX4000	VRN2FUSX4000	VRN2FUPXC000	VRN2FUSXC000	
	6	58	50	VRN2F1PX4000	VRN2F1SX4000	VRN2F1PXC000	VRN2F1SXC000	
			55	VRN2F2PX4000	VRN2F2SX4000	VRN2F2PXC000	VRN2F2SXC000	
	7	58	60	VRN2F3PX4000	VRN2F3SX4000	VRN2F3PXC000	VRN2F3SXC000	
			65	VRN2F4PX4000	VRN2F4SX4000	VRN2F4PXC000	VRN2F4SXC000	
	11	58	70	VRN2F5PX4000	VRN2F5SX4000	VRN2F5PXC000	VRN2F5SXC000	
			75	VRN2F6PX4000	VRN2F6SX4000	VRN2F6PXC000	VRN2F6SXC000	
	2-1/2"	4	58	25	VRN2GQPX4000	VRN2GQSX4000	VRN2GQPXC000	VRN2GQSXC000
				30	VRN2GRPX4000	VRN2GRSX4000	VRN2GRPXC000	VRN2GRSXC000
6		58	35	VRN2GSPX4000	VRN2GSSX4000	VRN2GSPXC000	VRN2GSSXC000	
			40	VRN2GTPX4000	VRN2GTSX4000	VRN2GTPXC000	VRN2GTSXC000	
7		58	45	VRN2GUPX4000	VRN2GUSX4000	VRN2GUPXC000	VRN2GUSXC000	
			50	VRN2G1PX4000	VRN2G1SX4000	VRN2G1PXC000	VRN2G1SXC000	
11		58	55	VRN2G2PX4000	VRN2G2SX4000	VRN2G2PXC000	VRN2G2SXC000	
			60	VRN2G3PX4000	VRN2G3SX4000	VRN2G3PXC000	VRN2G3SXC000	
7		58	65	VRN2G4PX4000	VRN2G4SX4000	VRN2G4PXC000	VRN2G4SXC000	
			70	VRN2G5PX4000	VRN2G5SX4000	VRN2G5PXC000	VRN2G5SXC000	
11		58	75	VRN2G6PX4000	VRN2G6SX4000	VRN2G6PXC000	VRN2G6SXC000	
			80	VRN2G7PX4000	VRN2G7SX4000	VRN2G7PXC000	VRN2G7SXC000	
11		58	85	VRN2G8PX4000	VRN2G8SX4000	VRN2G8PXC000	VRN2G8SXC000	
			95*	VRN2G9PX4000	VRN2G9SX4000	VRN2G9PXC000	VRN2G9SXC000	
3"	4	58	25	VRN2HQPX4000	VRN2HQSX4000	VRN2HQPXC000	VRN2HQSXC000	
			30	VRN2HRPX4000	VRN2HRSX4000	VRN2HRPXC000	VRN2HRSXC000	
	6	58	35	VRN2HSPX4000	VRN2HSSX4000	VRN2HSPXC000	VRN2HSSXC000	
			40	VRN2HTPX4000	VRN2HTSX4000	VRN2HTPXC000	VRN2HTSXC000	
	7	58	45	VRN2HUPX4000	VRN2HUSX4000	VRN2HUPXC000	VRN2HUSXC000	
			50	VRN2H1PX4000	VRN2H1SX4000	VRN2H1PXC000	VRN2H1SXC000	
	11	58	55	VRN2H2PX4000	VRN2H2SX4000	VRN2H2PXC000	VRN2H2SXC000	
			60	VRN2H3PX4000	VRN2H3SX4000	VRN2H3PXC000	VRN2H3SXC000	
	7	58	65	VRN2H4PX4000	VRN2H4SX4000	VRN2H4PXC000	VRN2H4SXC000	
			70	VRN2H5PX4000	VRN2H5SX4000	VRN2H5PXC000	VRN2H5SXC000	
	11	58	75	VRN2H6PX4000	VRN2H6SX4000	VRN2H6PXC000	VRN2H6SXC000	
			80	VRN2H7PX4000	VRN2H7SX4000	VRN2H7PXC000	VRN2H7SXC000	
	11	58	85	VRN2H8PX4000	VRN2H8SX4000	VRN2H8PXC000	VRN2H8SXC000	
			95*	VRN2H9PX4000	VRN2H9SX4000	VRN2H9PXC000	VRN2H9SXC000	

* Full port ball

** Differential pressure regulator operating range, ±5%

PRODUCT SELECTION - VALVES

Pressure Independent Control Valves, NPT 1½"-3" NEMA 2



Actuator Features		Non Fail Safe				Valve Only	
Actuator O.S Number		MN7505A2001		MN7505A2209		N/A	
Power Supply	Voltage	24 VAC/DC		24 VAC/DC			
	Frequency	50 / 60 Hz		50 / 60 Hz			
	Power	5 VA		5 VA			
Actuator Torque	(lb.-in.)	44		44			
Control	(0)2-10Vdc	•		•			
	4-20 mA (w/ external 500 Ohm Resistor)	•		•			
	Floating	•		•			
	Two-Position SPDT	•		•			
	Two-Position SPST	•		•			
Actuator Stroke	(degrees)	95° ± 3°		95° ± 3°			
Timing	(drive/spring return, seconds)	90		90			
Aux Switch		0		2			
Feedback	2-10 Vdc Built In	•		•			
Fail Safe Action		Stay in Place		Stay in Place			
Normal Position	(no signal)	Closed		Closed			
Valve Features	Trim	Nickel-Plated Brass	Stainless Steel	Nickel-Plated Brass	Stainless Steel	Nickel-Plated Brass	Stainless Steel

Valve Size (inches)	Differential Pressure** (psid)		Close-off Pressure (psid)	Max. GPM	Short Order Codes							
	Min.	Max.			VRN2EMPX0000	VRN2EMSD0000	VRN2ENPX0000	VRN2ENSX0000	VRN2EPPX0000	VRN2EPSX0000	VRN2EQPX0000	VRN2EQSX0000
1-1/2"	4	50	100	10	VRN2EMPX5000	VRN2EMSD5000	VRN2EMPD0000	VRN2EMSD0000	VRN2EMPX0000	VRN2EMSD0000	VRN2ENPX0000	VRN2ENSX0000
				15	VRN2ENPX5000	VRN2ENSX5000	VRN2ENPD0000	VRN2ENSX0000	VRN2EPPX0000	VRN2EPSX0000	VRN2EQPX0000	VRN2EQSX0000
				20	VRN2EPPX5000	VRN2EPSX5000	VRN2EPPD0000	VRN2EPSX0000	VRN2EQPX0000	VRN2EQSX0000	VRN2EQPX0000	VRN2EQSX0000
				25	VRN2EQPX5000	VRN2EQSX5000	VRN2EQPD0000	VRN2EQSX0000	VRN2ERPX0000	VRN2ERSX0000	VRN2ERPX0000	VRN2ERSX0000
				30	VRN2ERPX5000	VRN2ERSX5000	VRN2ERPXD000	VRN2ERSXD000	VRN2ESPX0000	VRN2ESSX0000	VRN2ESPX0000	VRN2ESSX0000
				35	VRN2ESPX5000	VRN2ESSX5000	VRN2ETPX0000	VRN2ETSD0000	VRN2EUPX0000	VRN2EUSD0000	VRN2EUPX0000	VRN2EUSD0000
	6	58		40	VRN2EUPX5000	VRN2EUSX5000	VRN2EUPXD000	VRN2EUSD0000	VRN2E1PX0000	VRN2E1SX0000	VRN2E1PX0000	VRN2E1SX0000
				45	VRN2E1PX5000	VRN2E1SX5000	VRN2E2PX0000	VRN2E2SX0000	VRN2E3PX0000	VRN2E3SX0000	VRN2E3PX0000	VRN2E3SX0000
				50	VRN2E2PX5000	VRN2E2SX5000	VRN2E4PX0000	VRN2E4SX0000	VRN2E5PX0000	VRN2E5SX0000	VRN2E5PX0000	VRN2E5SX0000
				55	VRN2E3PX5000	VRN2E3SX5000	VRN2E6PX0000	VRN2E6SX0000	VRN2E7PX0000	VRN2E7SX0000	VRN2E7PX0000	VRN2E7SX0000
				60	VRN2E4PX5000	VRN2E4SX5000	VRN2E8PX0000	VRN2E8SX0000	VRN2E9PX0000	VRN2E9SX0000	VRN2E9PX0000	VRN2E9SX0000
				65	VRN2E5PX5000	VRN2E5SX5000	VRN2FQPX0000	VRN2FQSD0000	VRN2FRPX0000	VRN2FRSX0000	VRN2FRPX0000	VRN2FRSX0000
2"	4	58	100	25	VRN2FQPX5000	VRN2FQSD5000	VRN2FRPX0000	VRN2FRSX0000	VRN2FSPX0000	VRN2FSSX0000	VRN2FSPX0000	VRN2FSSX0000
				30	VRN2FRPX5000	VRN2FRSX5000	VRN2FTPX0000	VRN2FTSX0000	VRN2FUPX0000	VRN2FUSX0000	VRN2FUPX0000	VRN2FUSX0000
				35	VRN2FSPX5000	VRN2FSSX5000	VRN2F1PX0000	VRN2F1SX0000	VRN2F2PX0000	VRN2F2SX0000	VRN2F2PX0000	VRN2F2SX0000
				40	VRN2FTPX5000	VRN2FTSX5000	VRN2F3PX0000	VRN2F3SX0000	VRN2F4PX0000	VRN2F4SX0000	VRN2F4PX0000	VRN2F4SX0000
				45	VRN2FUPX5000	VRN2FUSX5000	VRN2F5PX0000	VRN2F5SX0000	VRN2F6PX0000	VRN2F6SX0000	VRN2F6PX0000	VRN2F6SX0000
				50	VRN2F1PX5000	VRN2F1SX5000	VRN2GQPX0000	VRN2GQSD0000	VRN2GRPX0000	VRN2GRSX0000	VRN2GRPX0000	VRN2GRSX0000
	6	58		55	VRN2F2PX5000	VRN2F2SX5000	VRN2GSPX0000	VRN2GSSX0000	VRN2GTPX0000	VRN2GTSX0000	VRN2GTPX0000	VRN2GTSX0000
				60	VRN2F3PX5000	VRN2F3SX5000	VRN2GUPX0000	VRN2GUSD0000	VRN2G1PX0000	VRN2G1SX0000	VRN2G1PX0000	VRN2G1SX0000
				65	VRN2F4PX5000	VRN2F4SX5000	VRN2G2PX0000	VRN2G2SX0000	VRN2G3PX0000	VRN2G3SX0000	VRN2G3PX0000	VRN2G3SX0000
				70	VRN2F5PX5000	VRN2F5SX5000	VRN2G4PX0000	VRN2G4SX0000	VRN2G5PX0000	VRN2G5SX0000	VRN2G5PX0000	VRN2G5SX0000
				75	VRN2F6PX5000	VRN2F6SX5000	VRN2G6PX0000	VRN2G6SX0000	VRN2G7PX0000	VRN2G7SX0000	VRN2G7PX0000	VRN2G7SX0000
				80	VRN2GQPX5000	VRN2GQSD5000	VRN2G8PX0000	VRN2G8SX0000	VRN2G9PX0000	VRN2G9SX0000	VRN2G9PX0000	VRN2G9SX0000
2-1/2"	4	58	100	25	VRN2GRPX5000	VRN2GRSX5000	VRN2HRPX0000	VRN2HRSX0000	VRN2HQPX0000	VRN2HQSD0000	VRN2HQPX0000	VRN2HQSD0000
				30	VRN2GSPX5000	VRN2GSSX5000	VRN2HSPX0000	VRN2HSSX0000	VRN2H2PX0000	VRN2H2SX0000	VRN2H2PX0000	VRN2H2SX0000
				35	VRN2GTPX5000	VRN2GTSX5000	VRN2H3PX0000	VRN2H3SX0000	VRN2H4PX0000	VRN2H4SX0000	VRN2H4PX0000	VRN2H4SX0000
				40	VRN2GUPX5000	VRN2GUSD0000	VRN2H5PX0000	VRN2H5SX0000	VRN2H6PX0000	VRN2H6SX0000	VRN2H6PX0000	VRN2H6SX0000
				45	VRN2G1PX5000	VRN2G1SX5000	VRN2H7PX0000	VRN2H7SX0000	VRN2H8PX0000	VRN2H8SX0000	VRN2H8PX0000	VRN2H8SX0000
				50	VRN2G2PX5000	VRN2G2SX5000	VRN2H9PX0000	VRN2H9SX0000				
	6	58		55	VRN2G3PX5000	VRN2G3SX5000						
				60	VRN2G4PX5000	VRN2G4SX5000						
				65	VRN2G5PX5000	VRN2G5SX5000						
				70	VRN2G6PX5000	VRN2G6SX5000						
				75	VRN2G7PX5000	VRN2G7SX5000						
				80	VRN2G8PX5000	VRN2G8SX5000						
3"	7	58	100	85	VRN2G9PX5000	VRN2G9SX5000						
				95*	VRN2HQPX5000	VRN2HQSD5000						
				25	VRN2HRPX5000	VRN2HRSX5000						
				30	VRN2HSPX5000	VRN2HSSX5000						
				35	VRN2H2PX5000	VRN2H2SX5000						
				40	VRN2H3PX5000	VRN2H3SX5000						
	6	58		45	VRN2H4PX5000	VRN2H4SX5000						
				50	VRN2H5PX5000	VRN2H5SX5000						
				55	VRN2H6PX5000	VRN2H6SX5000						
				60	VRN2H7PX5000	VRN2H7SX5000						
				65	VRN2H8PX5000	VRN2H8SX5000						
				70	VRN2H9PX5000	VRN2H9SX5000						
7	58	75	VRN2H2PX5000	VRN2H2SX5000								
		80	VRN2H3PX5000	VRN2H3SX5000								
		85	VRN2H4PX5000	VRN2H4SX5000								
		95*	VRN2H5PX5000	VRN2H5SX5000								
		95*	VRN2H6PX5000	VRN2H6SX5000								
		95*	VRN2H7PX5000	VRN2H7SX5000								

* Full port ball

** Differential pressure regulator operating range, ±5%

PRODUCT SELECTION - VALVES

Pressure Independent Control Valves, NPT 1½"-3" NEMA 2



Actuator Features		Fail Safe							
Actuator O.S Number		MS7505A2030				MS7505A2130			
Power Supply	Voltage	24 VAC/DC				24 VAC/DC			
	Frequency	50 / 60 Hz				50 / 60 Hz			
	Power	6 VA				6 VA			
Actuator Torque	(lb.-in.)	44				44			
Control	(0)2-10Vdc	•				•			
	4-20 mA (w/ external 500 Ohm Resistor)	•				•			
	Floating	•				•			
	Two-Position SPDT	•				•			
	Two-Position SPST	•				•			
Actuator Stroke	(degrees)	95° ± 3°				95° ± 3°			
Timing	(drive/spring return, seconds)	90 / 25				90 / 25			
Aux Switch		0				1			
Feedback	2-10 Vdc Built In	•				•			
Fail Safe Action		Closed		Open		Closed		Open	
Normal Position	(no signal)	Closed		Open		Closed		Open	
Valve Features	Trim	Nickel-Plated Brass	Stainless Steel	Nickel-Plated Brass	Stainless Steel	Nickel-Plated Brass	Stainless Steel	Nickel-Plated Brass	Stainless Steel

Valve Size (inches)	Differential Pressure** (psid)		Close-off Pressure (psid)	Max. GPM	Short Order Codes																																													
	Min.	Max.			10	15	20	25	30	35	40	45	50	55	60	65	70	75	80	85	95	25	30	35	40	45	50	55	60	65	70	75	80	85	95*	25	30	35	40	45	50	55	60	65	70	75	80	85	95*	
1-1/2"	50	4	100	10	15	20	25	30	35	40	45	50	55	60	65	70	75	80	85	95	25	30	35	40	45	50	55	60	65	70	75	80	85	95	25	30	35	40	45	50	55	60	65	70	75	80	85	95		
		5																																																
		6																																																
		7																																																
		11																																																
	58	4																																																
		6																																																
		7																																																
		11																																																
		11																																																
2"	58	4	100	10	15	20	25	30	35	40	45	50	55	60	65	70	75	80	85	95	25	30	35	40	45	50	55	60	65	70	75	80	85	95	25	30	35	40	45	50	55	60	65	70	75	80	85	95		
		6																																																
		7																																																
		11																																																
		11																																																
	2-1/2"	58		4	100	10	15	20	25	30	35	40	45	50	55	60	65	70	75	80	85	95	25	30	35	40	45	50	55	60	65	70	75	80	85	95	25	30	35	40	45	50	55	60	65	70	75	80	85	95
				6																																														
				7																																														
				11																																														
				11																																														
3"		58	4	100		10	15	20	25	30	35	40	45	50	55	60	65	70	75	80	85	95	25	30	35	40	45	50	55	60	65	70	75	80	85	95	25	30	35	40	45	50	55	60	65	70	75	80	85	95
			6																																															
			7																																															
			11																																															
			11																																															

20 * Full port ball
 ** Differential pressure regulator operating range, ±5%

PRODUCT SELECTION - VALVES

Pressure Independent Control Valves, NPT 1½"-3" NEMA 2



Actuator Features		Fail Safe							
Actuator O.S Number		MS8105A1030				MS8105A1130			
Power Supply	Voltage	24 VAC/DC				24 VAC/DC			
	Frequency	50 / 60 Hz				50 / 60 Hz			
	Power	6 VA				6 VA			
Actuator Torque	(lb.-in.)	44				44			
Control	(0)2-1.0Vdc								
	4-20 mA (w/ external 500 Ohm Resistor)								
	Floating								
	Two-Position SPDT								
	Two-Position SPST								
Actuator Stroke	(degrees)	95° ± 3°				95° ± 3°			
Timing	(drive/spring return, seconds)	45 / 25				45 / 25			
Aux Switch		0				1			
Feedback	2-10 Vdc Built In								
Fail Safe Action		Closed		Open		Closed		Open	
Normal Position	(no signal)	Closed		Open		Closed		Open	
Valve Features	Trim	Nickel-Plated Brass	Stainless Steel	Nickel-Plated Brass	Stainless Steel	Nickel-Plated Brass	Stainless Steel	Nickel-Plated Brass	Stainless Steel

Valve Size (inches)	Differential Pressure** (psid)		Close-off Pressure (psid)	Max. GPM	Short Order Codes																																									
	Min.	Max.			10	15	20	25	30	35	40	45	50	55	60	65	70	75	80	85	95	25	30	35	40	45	50	55	60	65	70	75	80	85	95*	25	30	35	40	45	50	55	60	65	70	75
1-1/2"	4	50	100	10	VRN2EMPX7200 VRN2EMSX7200 VRN2EMPX7100 VRN2EMSX7100 VRN2EMPXA200 VRN2EMSA200 VRN2EMPXA100 VRN2EMSA100																																									
				15	VRN2ENPX7200 VRN2ENSX7200 VRN2ENPX7100 VRN2ENSX7100 VRN2ENPXA200 VRN2ENSA200 VRN2ENPXA100 VRN2ENSA100																																									
				20	VRN2EPPX7200 VRN2EPSX7200 VRN2EPPX7100 VRN2EPSX7100 VRN2EPPXA200 VRN2EPSXA200 VRN2EPPXA100 VRN2EPSXA100																																									
	5	58		25	VRN2EQPX7200 VRN2EQSX7200 VRN2EQPX7100 VRN2EQSX7100 VRN2EQPXA200 VRN2EQSXA200 VRN2EQPXA100 VRN2EQSXA100																																									
				30	VRN2ERPX7200 VRN2ERSX7200 VRN2ERPX7100 VRN2ERSX7100 VRN2ERPXA200 VRN2ERSXA200 VRN2ERPXA100 VRN2ERSXA100																																									
				35	VRN2ESPX7200 VRN2ESSX7200 VRN2ESPX7100 VRN2ESSX7100 VRN2ESPXA200 VRN2ESSXA200 VRN2ESPXA100 VRN2ESSXA100																																									
	6	58		40	VRN2ETPX7200 VRN2ETSX7200 VRN2ETPX7100 VRN2ETSX7100 VRN2ETPXA200 VRN2ETSXA200 VRN2ETPXA100 VRN2ETSXA100																																									
				45	VRN2EUPX7200 VRN2EUSX7200 VRN2EUPX7100 VRN2EUSX7100 VRN2EUPXA200 VRN2EUSXA200 VRN2EUPXA100 VRN2EUSXA100																																									
				50	VRN2E1PX7200 VRN2E1SX7200 VRN2E1PX7100 VRN2E1SX7100 VRN2E1PXA200 VRN2E1SXA200 VRN2E1PXA100 VRN2E1SXA100																																									
	2"	4		100	55	VRN2E2PX7200 VRN2E2SX7200 VRN2E2PX7100 VRN2E2SX7100 VRN2E2PXA200 VRN2E2SXA200 VRN2E2PXA100 VRN2E2SXA100																																								
					60	VRN2E3PX7200 VRN2E3SX7200 VRN2E3PX7100 VRN2E3SX7100 VRN2E3PXA200 VRN2E3SXA200 VRN2E3PXA100 VRN2E3SXA100																																								
65			VRN2E4PX7200 VRN2E4SX7200 VRN2E4PX7100 VRN2E4SX7100 VRN2E4PXA200 VRN2E4SXA200 VRN2E4PXA100 VRN2E4SXA100																																											
6		58	70		VRN2E5PX7200 VRN2E5SX7200 VRN2E5PX7100 VRN2E5SX7100 VRN2E5PXA200 VRN2E5SXA200 VRN2E5PXA100 VRN2E5SXA100																																									
			75		VRN2E6PX7200 VRN2E6SX7200 VRN2E6PX7100 VRN2E6SX7100 VRN2E6PXA200 VRN2E6SXA200 VRN2E6PXA100 VRN2E6SXA100																																									
			80		VRN2E7PX7200 VRN2E7SX7200 VRN2E7PX7100 VRN2E7SX7100 VRN2E7PXA200 VRN2E7SXA200 VRN2E7PXA100 VRN2E7SXA100																																									
7		58	85		VRN2E8PX7200 VRN2E8SX7200 VRN2E8PX7100 VRN2E8SX7100 VRN2E8PXA200 VRN2E8SXA200 VRN2E8PXA100 VRN2E8SXA100																																									
			95		VRN2E9PX7200 VRN2E9SX7200 VRN2E9PX7100 VRN2E9SX7100 VRN2E9PXA200 VRN2E9SXA200 VRN2E9PXA100 VRN2E9SXA100																																									
			25		VRN2FQPX7200 VRN2FQSX7200 VRN2FQPX7100 VRN2FQSX7100 VRN2FQPXA200 VRN2FQSXA200 VRN2FQPXA100 VRN2FQSXA100																																									
2-1/2"		4	100		30	VRN2FRPX7200 VRN2FRSX7200 VRN2FRPX7100 VRN2FRSX7100 VRN2FRPXA200 VRN2FRSXA200 VRN2FRPXA100 VRN2FRSXA100																																								
					35	VRN2FSPX7200 VRN2FSSX7200 VRN2FSPX7100 VRN2FSSX7100 VRN2FSPXA200 VRN2FSSXA200 VRN2FSPXA100 VRN2FSSXA100																																								
	40			VRN2FTPX7200 VRN2FTSX7200 VRN2FTPX7100 VRN2FTSX7100 VRN2FTPXA200 VRN2FTSXA200 VRN2FTPXA100 VRN2FTSXA100																																										
	6	58		45	VRN2FUPX7200 VRN2FUSX7200 VRN2FUPX7100 VRN2FUSX7100 VRN2FUPXA200 VRN2FUSXA200 VRN2FUPXA100 VRN2FUSXA100																																									
				50	VRN2F1PX7200 VRN2F1SX7200 VRN2F1PX7100 VRN2F1SX7100 VRN2F1PXA200 VRN2F1SXA200 VRN2F1PXA100 VRN2F1SXA100																																									
				55	VRN2F2PX7200 VRN2F2SX7200 VRN2F2PX7100 VRN2F2SX7100 VRN2F2PXA200 VRN2F2SXA200 VRN2F2PXA100 VRN2F2SXA100																																									
	3"	4		100	60	VRN2F3PX7200 VRN2F3SX7200 VRN2F3PX7100 VRN2F3SX7100 VRN2F3PXA200 VRN2F3SXA200 VRN2F3PXA100 VRN2F3SXA100																																								
					65	VRN2F4PX7200 VRN2F4SX7200 VRN2F4PX7100 VRN2F4SX7100 VRN2F4PXA200 VRN2F4SXA200 VRN2F4PXA100 VRN2F4SXA100																																								
					70	VRN2F5PX7200 VRN2F5SX7200 VRN2F5PX7100 VRN2F5SX7100 VRN2F5PXA200 VRN2F5SXA200 VRN2F5PXA100 VRN2F5SXA100																																								
		6			58	75	VRN2F6PX7200 VRN2F6SX7200 VRN2F6PX7100 VRN2F6SX7100 VRN2F6PXA200 VRN2F6SXA200 VRN2F6PXA100 VRN2F6SXA100																																							
						25	VRN2GQPX7200 VRN2GQSX7200 VRN2GQPX7100 VRN2GQSX7100 VRN2GQPXA200 VRN2GQSXA200 VRN2GQPXA100 VRN2GQSXA100																																							
30			VRN2GRPX7200 VRN2GRSX7200 VRN2GRPX7100 VRN2GRSX7100 VRN2GRPXA200 VRN2GRSXA200 VRN2GRPXA100 VRN2GRSXA100																																											
7		58	35		VRN2GSPX7200 VRN2GSSX7200 VRN2GSPX7100 VRN2GSSX7100 VRN2GSPXA200 VRN2GSSXA200 VRN2GSPXA100 VRN2GSSXA100																																									
			40		VRN2GTPX7200 VRN2GTSX7200 VRN2GTPX7100 VRN2GTSX7100 VRN2GTPXA200 VRN2GTSXA200 VRN2GTPXA100 VRN2GTSXA100																																									
			45		VRN2GUPX7200 VRN2GUSX7200 VRN2GUPX7100 VRN2GUSX7100 VRN2GUPXA200 VRN2GUSXA200 VRN2GUPXA100 VRN2GUSXA100																																									
		7	58		50	VRN2G1PX7200 VRN2G1SX7200 VRN2G1PX7100 VRN2G1SX7100 VRN2G1PXA200 VRN2G1SXA200 VRN2G1PXA100 VRN2G1SXA100																																								
					55	VRN2G2PX7200 VRN2G2SX7200 VRN2G2PX7100 VRN2G2SX7100 VRN2G2PXA200 VRN2G2SXA200 VRN2G2PXA100 VRN2G2SXA100																																								
	60			VRN2G3PX7200 VRN2G3SX7200 VRN2G3PX7100 VRN2G3SX7100 VRN2G3PXA200 VRN2G3SXA200 VRN2G3PXA100 VRN2G3SXA100																																										
	11	58	65	VRN2G4PX7200 VRN2G4SX7200 VRN2G4PX7100 VRN2G4SX7100 VRN2G4PXA200 VRN2G4SXA200 VRN2G4PXA100 VRN2G4SXA100																																										
			70	VRN2G5PX7200 VRN2G5SX7200 VRN2G5PX7100 VRN2G5SX7100 VRN2G5PXA200 VRN2G5SXA200 VRN2G5PXA100 VRN2G5SXA100																																										
			75	VRN2G6PX7200 VRN2G6SX7200 VRN2G6PX7100 VRN2G6SX7100 VRN2G6PXA200 VRN2G6SXA200 VRN2G6PXA100 VRN2G6SXA100																																										
		7	58	80	VRN2G7PX7200 VRN2G7SX7200 VRN2G7PX7100 VRN2G7SX7100 VRN2G7PXA200 VRN2G7SXA200 VRN2G7PXA100 VRN2G7SXA100																																									
				85	VRN2G8PX7200 VRN2G8SX7200 VRN2G8PX7100 VRN2G8SX7100 VRN2G8PXA200 VRN2G8SXA200 VRN2G8PXA100 VRN2G8SXA100																																									
95*				VRN2G9PX7200 VRN2G9SX7200 VRN2G9PX7100 VRN2G9SX7100 VRN2G9PXA200 VRN2G9SXA200 VRN2G9PXA100 VRN2G9SXA100																																										
11		58	25	VRN2HQPX7200 VRN2HQSX7200 VRN2HQPX7100 VRN2HQSX7100 VRN2HQPXA200 VRN2HQSXA200 VRN2HQPXA100 VRN2HQSXA100																																										
			30	VRN2HRPX7200 VRN2HRSX7200 VRN2HRPX7100 VRN2HRSX7100 VRN2HRPXA200 VRN2HRSXA200 VRN2HRPXA100 VRN2HRSXA100																																										
			35	VRN2HSPX7200 VRN2HSSX7200 VRN2HSPX7100 VRN2HSSX7100 VRN2HSPXA200 VRN2HSSXA200 VRN2HSPXA100 VRN2HSSXA100																																										
		7	58	40	VRN2HTPX7200 VRN2HTSX7200 VRN2HTPX7100 VRN2HTSX7100 VRN2HTPXA200 VRN2HTSXA200 VRN2HTPXA100 VRN2HTSXA100																																									
				45	VRN2HUPX7200 VRN2HUSX7200 VRN2HUPX7100 VRN2HUSX7100 VRN2HUPXA200 VRN2HUSXA200 VRN2HUPXA100 VRN2HUSXA100																																									
	50			VRN2H1PX7200 VRN2H1SX7200 VRN2H1PX7100 VRN2H1SX7100 VRN2H1PXA200 VRN2H1SXA200 VRN2H1PXA100 VRN2H1SXA100																																										
	11	58	55	VRN2H2PX7200 VRN2H2SX7200 VRN2H2PX7100 VRN2H2SX7100 VRN2H2PXA200 VRN2H2SXA200 VRN2H2PXA100 VRN2H2SXA100																																										
			60	VRN2H3PX7200 VRN2H3SX7200 VRN2H3PX7100 VRN2H3SX7100 VRN2H3PXA200 VRN2H3SXA200 VRN2H3PXA100 VRN2H3SXA100																																										
			65	VRN2H4PX7200 VRN2H4SX7200 VRN2H4PX7100 VRN2H4SX7100 VRN2H4PXA200 VRN2H4SXA200 VRN2H4PXA100 VRN2H4SXA100																																										
	11	58	70	VRN2H5PX7200 VRN2H5SX7200 VRN2H5PX7100 VRN2H5SX7100 VRN2H5PXA200 VRN2H5SXA200 VRN2H5PXA100 VRN2H5SXA100																																										
			75	VRN2H6PX7200 VRN2H6SX7200 VRN2H6PX7100 VRN2H6SX7100 VRN2H6PXA200 VRN2H6SXA200 VRN2H6PXA100 VRN2H6SXA100																																										
80			VRN2H7PX7200 VRN2H7SX7200 VRN2H7PX7100 VRN2H7SX7100 VRN2H7PXA200 VRN2H7SXA200 VRN2H7PXA100 VRN2H7SXA100																																											
11	58	85	VRN2H8PX7200 VRN2H8SX7200 VRN2H8PX7100 VRN2H8SX7100 VRN2H8PXA200 VRN2H8SXA200 VRN2H8PXA100 VRN2H8SXA100																																											
		95*	VRN2H9PX7200 VRN2H9SX7200 VRN2H9PX7100 VRN2H9SX7100 VRN2H9PXA200 VRN2H9SXA200 VRN2H9PXA100 VRN2H9SXA100																																											

* Full port ball

** Differential pressure regulator operating range, ±5%

PRODUCT SELECTION - VALVES

Pressure Independent Control Valves, NPT 1½"-3" NEMA 2



Actuator Features		Fail Safe			
Actuator O.S Number		MS4105A1030		MS4105A1130	
Power Supply	Voltage	100-250 VAC		100-250 VAC	
	Frequency	50 / 60 Hz		50 / 60 Hz	
	Power	6 VA		6 VA	
Actuator Torque	(lb.-in.)	44		44	
Control	(0)2-10Vdc				
	4-20 mA (w/ external 500 Ohm Resistor)				
	Floating				
	Two-Position SPDT				
	Two-Position SPST				
Actuator Stroke	(degrees)	95° ± 3°		95° ± 3°	
Timing	(drive/spring return, seconds)	45 / 25		45 / 25	
Aux Switch		0		1	
Feedback	2-10 Vdc Built In				
Fail Safe Action		Closed		Open	
Normal Position	(no signal)	Closed		Open	
Valve Features	Trim	Nickel-Plated Brass	Stainless Steel	Nickel-Plated Brass	Stainless Steel

Valve Size (inches)	Differential Pressure** (psid)		Close-off Pressure (psid)	Max. GPM	Short Order Codes									
	Min.	Max.			1	2	3	4	5	6	7	8	9	10
1-1/2"	4	50	100	10	VRN2EMPX8200	VRN2EMSX8200	VRN2EMPX8100	VRN2EMSX8100	VRN2EMPX9200	VRN2EMSX9200	VRN2EMPX9100	VRN2EMSX9100		
				15	VRN2ENPX8200	VRN2ENSX8200	VRN2ENPX8100	VRN2ENSX8100	VRN2ENPX9200	VRN2ENSX9200	VRN2ENPX9100	VRN2ENSX9100		
				20	VRN2EPPX8200	VRN2EPSX8200	VRN2EPPX8100	VRN2EPSX8100	VRN2EPPX9200	VRN2EPSX9200	VRN2EPPX9100	VRN2EPSX9100		
	5	50		25	VRN2EQPX8200	VRN2EQSX8200	VRN2EQPX8100	VRN2EQSX8100	VRN2EQPX9200	VRN2EQSX9200	VRN2EQPX9100	VRN2EQSX9100		
				30	VRN2ERPX8200	VRN2ERSX8200	VRN2ERPX8100	VRN2ERSX8100	VRN2ERPX9200	VRN2ERSX9200	VRN2ERPX9100	VRN2ERSX9100		
	6	58		35	VRN2ESPX8200	VRN2ESSX8200	VRN2ESPX8100	VRN2ESSX8100	VRN2ESPX9200	VRN2ESSX9200	VRN2ESPX9100	VRN2ESSX9100		
				40	VRN2ETPX8200	VRN2ETSX8200	VRN2ETPX8100	VRN2ETSX8100	VRN2ETPX9200	VRN2ETSX9200	VRN2ETPX9100	VRN2ETSX9100		
	2"	4		58	100	45	VRN2EUPX8200	VRN2EUSX8200	VRN2EUPX8100	VRN2EUSX8100	VRN2EUPX9200	VRN2EUSX9200	VRN2EUPX9100	VRN2EUSX9100
						50	VRN2E1PX8200	VRN2E1SX8200	VRN2E1PX8100	VRN2E1SX8100	VRN2E1PX9200	VRN2E1SX9200	VRN2E1PX9100	VRN2E1SX9100
						55	VRN2E2PX8200	VRN2E2SX8200	VRN2E2PX8100	VRN2E2SX8100	VRN2E2PX9200	VRN2E2SX9200	VRN2E2PX9100	VRN2E2SX9100
		7		58		60	VRN2E3PX8200	VRN2E3SX8200	VRN2E3PX8100	VRN2E3SX8100	VRN2E3PX9200	VRN2E3SX9200	VRN2E3PX9100	VRN2E3SX9100
65			VRN2E4PX8200			VRN2E4SX8200	VRN2E4PX8100	VRN2E4SX8100	VRN2E4PX9200	VRN2E4SX9200	VRN2E4PX9100	VRN2E4SX9100		
11		58	70	VRN2E5PX8200		VRN2E5SX8200	VRN2E5PX8100	VRN2E5SX8100	VRN2E5PX9200	VRN2E5SX9200	VRN2E5PX9100	VRN2E5SX9100		
			75	VRN2E6PX8200		VRN2E6SX8200	VRN2E6PX8100	VRN2E6SX8100	VRN2E6PX9200	VRN2E6SX9200	VRN2E6PX9100	VRN2E6SX9100		
			80	VRN2E7PX8200		VRN2E7SX8200	VRN2E7PX8100	VRN2E7SX8100	VRN2E7PX9200	VRN2E7SX9200	VRN2E7PX9100	VRN2E7SX9100		
			85	VRN2E8PX8200		VRN2E8SX8200	VRN2E8PX8100	VRN2E8SX8100	VRN2E8PX9200	VRN2E8SX9200	VRN2E8PX9100	VRN2E8SX9100		
			95	VRN2E9PX8200		VRN2E9SX8200	VRN2E9PX8100	VRN2E9SX8100	VRN2E9PX9200	VRN2E9SX9200	VRN2E9PX9100	VRN2E9SX9100		
			25	VRN2FQPX8200		VRN2FQSX8200	VRN2FQPX8100	VRN2FQSX8100	VRN2FQPX9200	VRN2FQSX9200	VRN2FQPX9100	VRN2FQSX9100		
2-1/2"	4	58	100	30	VRN2FRPX8200	VRN2FRSX8200	VRN2FRPX8100	VRN2FRSX8100	VRN2FRPX9200	VRN2FRSX9200	VRN2FRPX9100	VRN2FRSX9100		
				35	VRN2FSPX8200	VRN2FSSX8200	VRN2FSPX8100	VRN2FSSX8100	VRN2FSPX9200	VRN2FSSX9200	VRN2FSPX9100	VRN2FSSX9100		
				40	VRN2FTPX8200	VRN2FTSX8200	VRN2FTPX8100	VRN2FTSX8100	VRN2FTPX9200	VRN2FTSX9200	VRN2FTPX9100	VRN2FTSX9100		
	6	58		45	VRN2FUPX8200	VRN2FUSX8200	VRN2FUPX8100	VRN2FUSX8100	VRN2FUPX9200	VRN2FUSX9200	VRN2FUPX9100	VRN2FUSX9100		
				50	VRN2F1PX8200	VRN2F1SX8200	VRN2F1PX8100	VRN2F1SX8100	VRN2F1PX9200	VRN2F1SX9200	VRN2F1PX9100	VRN2F1SX9100		
	11	58		55	VRN2F2PX8200	VRN2F2SX8200	VRN2F2PX8100	VRN2F2SX8100	VRN2F2PX9200	VRN2F2SX9200	VRN2F2PX9100	VRN2F2SX9100		
				60	VRN2F3PX8200	VRN2F3SX8200	VRN2F3PX8100	VRN2F3SX8100	VRN2F3PX9200	VRN2F3SX9200	VRN2F3PX9100	VRN2F3SX9100		
				65	VRN2F4PX8200	VRN2F4SX8200	VRN2F4PX8100	VRN2F4SX8100	VRN2F4PX9200	VRN2F4SX9200	VRN2F4PX9100	VRN2F4SX9100		
				70	VRN2F5PX8200	VRN2F5SX8200	VRN2F5PX8100	VRN2F5SX8100	VRN2F5PX9200	VRN2F5SX9200	VRN2F5PX9100	VRN2F5SX9100		
				75	VRN2F6PX8200	VRN2F6SX8200	VRN2F6PX8100	VRN2F6SX8100	VRN2F6PX9200	VRN2F6SX9200	VRN2F6PX9100	VRN2F6SX9100		
				25	VRN2GQPX8200	VRN2GQSX8200	VRN2GQPX8100	VRN2GQSX8100	VRN2GQPX9200	VRN2GQSX9200	VRN2GQPX9100	VRN2GQSX9100		
3"	4	58	100	30	VRN2GRPX8200	VRN2GRSX8200	VRN2GRPX8100	VRN2GRSX8100	VRN2GRPX9200	VRN2GRSX9200	VRN2GRPX9100	VRN2GRSX9100		
				35	VRN2GSPX8200	VRN2GSSX8200	VRN2GSPX8100	VRN2GSSX8100	VRN2GSPX9200	VRN2GSSX9200	VRN2GSPX9100	VRN2GSSX9100		
				40	VRN2GTPX8200	VRN2GTSX8200	VRN2GTPX8100	VRN2GTSX8100	VRN2GTPX9200	VRN2GTSX9200	VRN2GTPX9100	VRN2GTSX9100		
	6	58		45	VRN2GUPX8200	VRN2GUSX8200	VRN2GUPX8100	VRN2GUSX8100	VRN2GUPX9200	VRN2GUSX9200	VRN2GUPX9100	VRN2GUSX9100		
				50	VRN2G1PX8200	VRN2G1SX8200	VRN2G1PX8100	VRN2G1SX8100	VRN2G1PX9200	VRN2G1SX9200	VRN2G1PX9100	VRN2G1SX9100		
	11	58		55	VRN2G2PX8200	VRN2G2SX8200	VRN2G2PX8100	VRN2G2SX8100	VRN2G2PX9200	VRN2G2SX9200	VRN2G2PX9100	VRN2G2SX9100		
				60	VRN2G3PX8200	VRN2G3SX8200	VRN2G3PX8100	VRN2G3SX8100	VRN2G3PX9200	VRN2G3SX9200	VRN2G3PX9100	VRN2G3SX9100		
				65	VRN2G4PX8200	VRN2G4SX8200	VRN2G4PX8100	VRN2G4SX8100	VRN2G4PX9200	VRN2G4SX9200	VRN2G4PX9100	VRN2G4SX9100		
				70	VRN2G5PX8200	VRN2G5SX8200	VRN2G5PX8100	VRN2G5SX8100	VRN2G5PX9200	VRN2G5SX9200	VRN2G5PX9100	VRN2G5SX9100		
				75	VRN2G6PX8200	VRN2G6SX8200	VRN2G6PX8100	VRN2G6SX8100	VRN2G6PX9200	VRN2G6SX9200	VRN2G6PX9100	VRN2G6SX9100		
				80	VRN2G7PX8200	VRN2G7SX8200	VRN2G7PX8100	VRN2G7SX8100	VRN2G7PX9200	VRN2G7SX9200	VRN2G7PX9100	VRN2G7SX9100		
7	58	85	VRN2G8PX8200	VRN2G8SX8200	VRN2G8PX8100	VRN2G8SX8100	VRN2G8PX9200	VRN2G8SX9200	VRN2G8PX9100	VRN2G8SX9100				
		95*	VRN2G9PX8200	VRN2G9SX8200	VRN2G9PX8100	VRN2G9SX8100	VRN2G9PX9200	VRN2G9SX9200	VRN2G9PX9100	VRN2G9SX9100				
		25	VRN2HQPX8200	VRN2HQSX8200	VRN2HQPX8100	VRN2HQSX8100	VRN2HQPX9200	VRN2HQSX9200	VRN2HQPX9100	VRN2HQSX9100				
		30	VRN2HRPX8200	VRN2HRSX8200	VRN2HRPX8100	VRN2HRSX8100	VRN2HRPX9200	VRN2HRSX9200	VRN2HRPX9100	VRN2HRSX9100				
		35	VRN2HSPX8200	VRN2HSSX8200	VRN2HSPX8100	VRN2HSSX8100	VRN2HSPX9200	VRN2HSSX9200	VRN2HSPX9100	VRN2HSSX9100				
		40	VRN2HTPX8200	VRN2HTSX8200	VRN2HTPX8100	VRN2HTSX8100	VRN2HTPX9200	VRN2HTSX9200	VRN2HTPX9100	VRN2HTSX9100				
		45	VRN2HUPX8200	VRN2HUSX8200	VRN2HUPX8100	VRN2HUSX8100	VRN2HUPX9200	VRN2HUSX9200	VRN2HUPX9100	VRN2HUSX9100				
		50	VRN2H1PX8200	VRN2H1SX8200	VRN2H1PX8100	VRN2H1SX8100	VRN2H1PX9200	VRN2H1SX9200	VRN2H1PX9100	VRN2H1SX9100				
		55	VRN2H2PX8200	VRN2H2SX8200	VRN2H2PX8100	VRN2H2SX8100	VRN2H2PX9200	VRN2H2SX9200	VRN2H2PX9100	VRN2H2SX9100				
		60	VRN2H3PX8200	VRN2H3SX8200	VRN2H3PX8100	VRN2H3SX8100	VRN2H3PX9200	VRN2H3SX9200	VRN2H3PX9100	VRN2H3SX9100				
		65	VRN2H4PX8200	VRN2H4SX8200	VRN2H4PX8100	VRN2H4SX8100	VRN2H4PX9200	VRN2H4SX9200	VRN2H4PX9100	VRN2H4SX9100				
70	VRN2H5PX8200	VRN2H5SX8200	VRN2H5PX8100	VRN2H5SX8100	VRN2H5PX9200	VRN2H5SX9200	VRN2H5PX9100	VRN2H5SX9100						
75	VRN2H6PX8200	VRN2H6SX8200	VRN2H6PX8100	VRN2H6SX8100	VRN2H6PX9200	VRN2H6SX9200	VRN2H6PX9100	VRN2H6SX9100						
80	VRN2H7PX8200	VRN2H7SX8200	VRN2H7PX8100	VRN2H7SX8100	VRN2H7PX9200	VRN2H7SX9200	VRN2H7PX9100	VRN2H7SX9100						
85	VRN2H8PX8200	VRN2H8SX8200	VRN2H8PX8100	VRN2H8SX8100	VRN2H8PX9200	VRN2H8SX9200	VRN2H8PX9100	VRN2H8SX9100						
95*	VRN2H9PX8200	VRN2H9SX8200	VRN2H9PX8100	VRN2H9SX8100	VRN2H9PX9200	VRN2H9SX9200	VRN2H9PX9100	VRN2H9SX9100						

* Full port ball

** Differential pressure regulator operating range, ±5%

PRODUCT SELECTION - VALVES

Pressure Independent Control Valves, NPT 1/2"-1 1/4" NEMA 3R

Actuator Features		Non Fail Safe							
Actuator O.S Number		MN6105A1011	MN6105A1201	MN7505A2001	MN7505A2209				
Power Supply	Voltage	24 VAC/DC	24 VAC/DC	24 VAC/DC	24 VAC/DC				
	Frequency	50 / 60 Hz	50 / 60 Hz	50 / 60 Hz	50 / 60 Hz				
	Power	5 VA	5 VA	5 VA	5 VA				
Actuator Torque (lb.-in.)		44	44	44	44				
Control (0)2-10Vdc						•	•	•	•
4-20 mA (w/ external 500 Ohm Resistor)						•	•	•	•
Floating		•	•	•	•				
Two-Position SPDT		•	•	•	•				
Two-Position SPST				•	•				
Actuator Stroke (degrees)		95° ± 3°	95° ± 3°	95° ± 3°	95° ± 3°				
Timing (drive/spring return, seconds)		90	90	90	90				
Aux Switch		0	2	0	2				
Feedback 2-10 Vdc Built In		-	-	•	•				
Fail Safe Action		Stay in Place	Stay in Place	Stay in Place	Stay in Place				
Normal Position (no signal)		Stay in Place	Stay in Place	Closed	Closed				
Valve Features Trim		Nickel-Plated Brass	Stainless Steel	Nickel-Plated Brass	Stainless Steel	Nickel-Plated Brass	Stainless Steel	Nickel-Plated Brass	Stainless Steel

Valve Size (inches)	Differential Pressure** (psid)		Close-off Pressure (psid)	Max. GPM	Short Order Codes									
	Min.	Max.												
1/2"	3.0	35	100	1	VRN2ABPX4002	VRN2ABSX4002	VRN2ABPXC002	VRN2ABSXC002	VRN2ABPX5002	VRN2ABSX5002	VRN2ABPXD002	VRN2ABSXD002		
				2	VRN2ADPX4002	VRN2ADSX4002	VRN2ADPXC002	VRN2ADSXC002	VRN2ADPX5002	VRN2ADSX5002	VRN2ADPXD002	VRN2ADSXD002		
				3	VRN2AEPX4002	VRN2AESX4002	VRN2AEPXC002	VRN2AESXC002	VRN2AEPX5002	VRN2AESX5002	VRN2AEPXD002	VRN2AESXD002		
				4	VRN2AFPX4002	VRN2AFSX4002	VRN2AFPXC002	VRN2AFSXC002	VRN2AFPX5002	VRN2AFSX5002	VRN2AFPXD002	VRN2AFSXD002		
				5	VRN2AGPX4002	VRN2AGSX4002	VRN2AGPXC002	VRN2AGSXC002	VRN2AGPX5002	VRN2AGSX5002	VRN2AGPXD002	VRN2AGSXD002		
				6	VRN2AHPX4002	VRN2AHSX4002	VRN2AHPXC002	VRN2AHSXC002	VRN2AHPX5002	VRN2AHSX5002	VRN2AHPXD002	VRN2AHSXD002		
				7	VRN2AJPX4002	VRN2AJSX4002	VRN2AJPXC002	VRN2AJSXC002	VRN2AJPX5002	VRN2AJSX5002	VRN2AJPXD002	VRN2AJSX002		
3/4"	3.0	35	100	1	VRN2BBPX4002	VRN2BBSX4002	VRN2BBPXC002	VRN2BBSXC002	VRN2BBPX5002	VRN2BBSX5002	VRN2BBPXD002	VRN2BBSXD002		
				2	VRN2BDPX4002	VRN2BDSX4002	VRN2BDPXC002	VRN2BDSXC002	VRN2BDPX5002	VRN2BDSX5002	VRN2BDPXD002	VRN2BDSXD002		
				3	VRN2BEPX4002	VRN2BESX4002	VRN2BEPXC002	VRN2BESXC002	VRN2BEPX5002	VRN2BESX5002	VRN2BEPXD002	VRN2BESXD002		
				4	VRN2BFPX4002	VRN2BFSX4002	VRN2BFPXC002	VRN2BFSXC002	VRN2BFPX5002	VRN2BFSX5002	VRN2BFPXD002	VRN2BFSXD002		
				5	VRN2BGPX4002	VRN2BGSX4002	VRN2BGPXC002	VRN2BGSXC002	VRN2BGPX5002	VRN2BGSX5002	VRN2BGPXD002	VRN2BGSXD002		
				6	VRN2BHPX4002	VRN2BHSX4002	VRN2BHPXC002	VRN2BHSXC002	VRN2BHPX5002	VRN2BHSX5002	VRN2BHPXD002	VRN2BHSXD002		
				7	VRN2BJPX4002	VRN2BJSX4002	VRN2BJPXC002	VRN2BJSXC002	VRN2BJPX5002	VRN2BJSX5002	VRN2BJPXD002	VRN2BJSXD002		
				8	VRN2BKPX4002	VRN2BKSX4002	VRN2BKPXC002	VRN2BKSXC002	VRN2BKPX5002	VRN2BKSX5002	VRN2BKPXD002	VRN2BKSXD002		
				9	VRN2BLPX4002	VRN2BLSX4002	VRN2BLPXC002	VRN2BLSXC002	VRN2BLPX5002	VRN2BLSX5002	VRN2BLPXD002	VRN2BLSXD002		
				10*	VRN2BMPX4002	VRN2BMSX4002	VRN2BMPXC002	VRN2BMSXC002	VRN2BMPX5002	VRN2BMSX5002	VRN2BMPXD002	VRN2BMSXD002		
1"	3.0	35	100	1	VRN2CBPX4002	VRN2CBSX4002	VRN2CBPXC002	VRN2CBSXC002	VRN2CBPX5002	VRN2CBSX5002	VRN2CBPXD002	VRN2CBSXD002		
				2	VRN2CDPX4002	VRN2CDSX4002	VRN2CDPXC002	VRN2CDSXC002	VRN2CDPX5002	VRN2CDSX5002	VRN2CDPXD002	VRN2CDSXD002		
				3	VRN2CEPX4002	VRN2CESX4002	VRN2CEPXC002	VRN2CESXC002	VRN2CEPX5002	VRN2CESX5002	VRN2CEPXD002	VRN2CESXD002		
				4	VRN2CFPX4002	VRN2CFSX4002	VRN2CFPXC002	VRN2CFSXC002	VRN2CFPX5002	VRN2CFSX5002	VRN2CFPXD002	VRN2CFSXD002		
				5	VRN2CGPX4002	VRN2CGSX4002	VRN2CGPXC002	VRN2CGSXC002	VRN2CGPX5002	VRN2CGSX5002	VRN2CGPXD002	VRN2CGSXD002		
				6	VRN2CHPX4002	VRN2CHSX4002	VRN2CHPXC002	VRN2CHSXC002	VRN2CHPX5002	VRN2CHSX5002	VRN2CHPXD002	VRN2CHSXD002		
				7	VRN2CJPX4002	VRN2CJSX4002	VRN2CJPXC002	VRN2CJSXC002	VRN2CJPX5002	VRN2CJSX5002	VRN2CJPXD002	VRN2CJSXD002		
	8			VRN2CKPX4002	VRN2CKSX4002	VRN2CKPXC002	VRN2CKSXC002	VRN2CKPX5002	VRN2CKSX5002	VRN2CKPXD002	VRN2CKSXD002			
	9			VRN2CLPX4002	VRN2CLSX4002	VRN2CLPXC002	VRN2CLSXC002	VRN2CLPX5002	VRN2CLSX5002	VRN2CLPXD002	VRN2CLSXD002			
	10			VRN2CMPX4002	VRN2CMSX4002	VRN2CMPXC002	VRN2CMSXC002	VRN2CMPX5002	VRN2CMSX5002	VRN2CMPXD002	VRN2CMSXD002			
1-1/4"	4.0	50	100	15	VRN2CNPX4002	VRN2CNSX4002	VRN2CNPXC002	VRN2CNSXC002	VRN2CNPX5002	VRN2CNSX5002	VRN2CNPXD002	VRN2CNSXD002		
				20	VRN2CPPX4002	VRN2CPSX4002	VRN2CPPXC002	VRN2CPSXC002	VRN2CPPX5002	VRN2CPSX5002	VRN2CPPXD002	VRN2CPSXD002		
				10	VRN2DMXP4002	VRN2DMXS4002	VRN2DMXP002	VRN2DMXSC002	VRN2DMXP5002	VRN2DMXS5002	VRN2DMXP002	VRN2DMXSD002		
				15	VRN2DNXP4002	VRN2DNXS4002	VRN2DNXP002	VRN2DNXSC002	VRN2DNXP5002	VRN2DNXS5002	VRN2DNXP002	VRN2DNXSD002		
				20	VRN2DPXP4002	VRN2DPXS4002	VRN2DPXP002	VRN2DPXSC002	VRN2DPXP5002	VRN2DPXS5002	VRN2DPXP002	VRN2DPXSD002		
	5.0	50	100	25	VRN2DQXP4002	VRN2DQXS4002	VRN2DQXP002	VRN2DQXSC002	VRN2DQXP5002	VRN2DQXS5002	VRN2DQXP002	VRN2DQXSD002		
				30	VRN2DRXP4002	VRN2DRXS4002	VRN2DRXP002	VRN2DRXSC002	VRN2DRXP5002	VRN2DRXS5002	VRN2DRXP002	VRN2DRXSD002		
				35*	VRN2DSXP4002	VRN2DSXS4002	VRN2DSXP002	VRN2DSXSC002	VRN2DSXP5002	VRN2DSXS5002	VRN2DSXP002	VRN2DSXSD002		

* Full port ball

** Differential pressure regulator operating range, ±5%

PRODUCT SELECTION - VALVES

Pressure Independent Control Valves, NPT 1/2"-1 1/4" NEMA 3R

Actuator Features		Fail Safe			
Actuator O.S Number		MS7505A2030		MS7505A2130	
Power Supply	Voltage	24 VAC/DC		24 VAC/DC	
	Frequency	50 / 60 Hz		50 / 60 Hz	
	Power	6 VA		6 VA	
Actuator Torque	(lb.-in.)	44		44	
Control	(0)2-10Vdc	•		•	
	4-20 mA (w/ external 500 Ohm Resistor)	•		•	
	Floating	•		•	
	Two-Position SPDT	•		•	
	Two-Position SPST	•		•	
Actuator Stroke	(degrees)	95° ± 3°		95° ± 3°	
Timing	(drive/spring return, seconds)	90 / 25		90 / 25	
Aux Switch		0		1	
Feedback	2-10 Vdc Built In	•		•	
Fail Safe Action		Closed	Open	Closed	Open
Normal Position	(no signal)	Closed	Open	Closed	Open
Valve Features	Trim	Nickel-Plated Brass	Stainless Steel	Nickel-Plated Brass	Stainless Steel

Valve Size (inches)	Differential Pressure** (psid)		Close-off Pressure (psid)	Max. GPM	Short Order Codes									
	Min.	Max.			1	2	3	4	5	6	7	8	9	10*
1/2"	3.0	35	100	1	VRN2ABPX6202	VRN2ABSX6202	VRN2ABPX6102	VRN2ABSX6102	VRN2ABPX6202	VRN2ABSXB202	VRN2ABPX6102	VRN2ABSXB102	VRN2ABSXB102	
				2	VRN2ADPX6202	VRN2ADSX6202	VRN2ADPX6102	VRN2ADSX6102	VRN2ADPX6202	VRN2ADSBX202	VRN2ADPX6102	VRN2ADSBX102	VRN2ADSBX102	
				3	VRN2AEPX6202	VRN2AESX6202	VRN2AEPX6102	VRN2AESX6102	VRN2AEPX6202	VRN2AESXB202	VRN2AEPX6102	VRN2AESXB102	VRN2AESXB102	
				4	VRN2AFPX6202	VRN2AFSX6202	VRN2AFPX6102	VRN2AFSX6102	VRN2AFPX6202	VRN2AFSXB202	VRN2AFPX6102	VRN2AFSXB102	VRN2AFSXB102	
				5	VRN2AGPX6202	VRN2AGSX6202	VRN2AGPX6102	VRN2AGSX6102	VRN2AGPX6202	VRN2AGSXB202	VRN2AGPX6102	VRN2AGSXB102	VRN2AGSXB102	
				6	VRN2AHPX6202	VRN2AHSX6202	VRN2AHPX6102	VRN2AHSX6102	VRN2AHPX6202	VRN2AHSXB202	VRN2AHPX6102	VRN2AHSXB102	VRN2AHSXB102	
				7	VRN2AJPX6202	VRN2AJSX6202	VRN2AJPX6102	VRN2AJSX6102	VRN2AJPX6202	VRN2AJSBX202	VRN2AJPX6102	VRN2AJSBX102	VRN2AJSBX102	
3/4"	3.0	35	100	1	VRN2BBPX6202	VRN2BBSX6202	VRN2BBPX6102	VRN2BBSX6102	VRN2BBPX6202	VRN2BBSXB202	VRN2BBPX6102	VRN2BBSXB102	VRN2BBSXB102	
				2	VRN2BDPX6202	VRN2BDSX6202	VRN2BDPX6102	VRN2BDSX6102	VRN2BDPX6202	VRN2BDSXB202	VRN2BDPX6102	VRN2BDSXB102	VRN2BDSXB102	
				3	VRN2BEPX6202	VRN2BESX6202	VRN2BEPX6102	VRN2BESX6102	VRN2BEPX6202	VRN2BESXB202	VRN2BEPX6102	VRN2BESXB102	VRN2BESXB102	
				4	VRN2BFPX6202	VRN2BFSX6202	VRN2BFPX6102	VRN2BFSX6102	VRN2BFPX6202	VRN2BFSXB202	VRN2BFPX6102	VRN2BFSXB102	VRN2BFSXB102	
				5	VRN2BGPX6202	VRN2BGSX6202	VRN2BGPX6102	VRN2BGSX6102	VRN2BGPX6202	VRN2BGSXB202	VRN2BGPX6102	VRN2BGSXB102	VRN2BGSXB102	
				6	VRN2BHPX6202	VRN2BHSX6202	VRN2BHPX6102	VRN2BHSX6102	VRN2BHPX6202	VRN2BHSXB202	VRN2BHPX6102	VRN2BHSXB102	VRN2BHSXB102	
				7	VRN2BJPX6202	VRN2BJSX6202	VRN2BJPX6102	VRN2BJSX6102	VRN2BJPX6202	VRN2BJSXB202	VRN2BJPX6102	VRN2BJSXB102	VRN2BJSXB102	
	6.0	8	VRN2BKPX6202	VRN2BKSX6202	VRN2BKPX6102	VRN2BKSX6102	VRN2BKPX6202	VRN2BKSXB202	VRN2BKPX6102	VRN2BKSXB102	VRN2BKSXB102			
		9	VRN2BLPX6202	VRN2BLSX6202	VRN2BLPX6102	VRN2BLSX6102	VRN2BLPX6202	VRN2BLSXB202	VRN2BLPX6102	VRN2BLSXB102	VRN2BLSXB102			
		10*	VRN2BMPX6202	VRN2BMSX6202	VRN2BMPX6102	VRN2BMSX6102	VRN2BMPX6202	VRN2BMSXB202	VRN2BMPX6102	VRN2BMSXB102	VRN2BMSXB102			
1"	3.0	35	100	1	VRN2CBPX6202	VRN2CBSX6202	VRN2CBPX6102	VRN2CBSX6102	VRN2CBPX6202	VRN2CBSXB202	VRN2CBPX6102	VRN2CBSXB102	VRN2CBSXB102	
				2	VRN2CDPX6202	VRN2CDSX6202	VRN2CDPX6102	VRN2CDSX6102	VRN2CDPX6202	VRN2CDSXB202	VRN2CDPX6102	VRN2CDSXB102	VRN2CDSXB102	
				3	VRN2CEPX6202	VRN2CESX6202	VRN2CEPX6102	VRN2CESX6102	VRN2CEPX6202	VRN2CESXB202	VRN2CEPX6102	VRN2CESXB102	VRN2CESXB102	
				4	VRN2CFPX6202	VRN2CFSX6202	VRN2CFPX6102	VRN2CFSX6102	VRN2CFPX6202	VRN2CFSXB202	VRN2CFPX6102	VRN2CFSXB102	VRN2CFSXB102	
				5	VRN2CGPX6202	VRN2CGSX6202	VRN2CGPX6102	VRN2CGSX6102	VRN2CGPX6202	VRN2CGSXB202	VRN2CGPX6102	VRN2CGSXB102	VRN2CGSXB102	
				6	VRN2CHPX6202	VRN2CHSX6202	VRN2CHPX6102	VRN2CHSX6102	VRN2CHPX6202	VRN2CHSXB202	VRN2CHPX6102	VRN2CHSXB102	VRN2CHSXB102	
				7	VRN2CJPX6202	VRN2CJSX6202	VRN2CJPX6102	VRN2CJSX6102	VRN2CJPX6202	VRN2CJSXB202	VRN2CJPX6102	VRN2CJSXB102	VRN2CJSXB102	
	6.0	8	VRN2CKPX6202	VRN2CKSX6202	VRN2CKPX6102	VRN2CKSX6102	VRN2CKPX6202	VRN2CKSXB202	VRN2CKPX6102	VRN2CKSXB102	VRN2CKSXB102			
		9	VRN2CLPX6202	VRN2CLSX6202	VRN2CLPX6102	VRN2CLSX6102	VRN2CLPX6202	VRN2CLSXB202	VRN2CLPX6102	VRN2CLSXB102	VRN2CLSXB102			
		10	VRN2CMPX6202	VRN2CMSX6202	VRN2CMPX6102	VRN2CMSX6102	VRN2CMPX6202	VRN2CMSXB202	VRN2CMPX6102	VRN2CMSXB102	VRN2CMSXB102			
1-1/4"	4.0	50	100	15	VRN2CNPX6202	VRN2CNSX6202	VRN2CNPX6102	VRN2CNSX6102	VRN2CNPX6202	VRN2CNSXB202	VRN2CNPX6102	VRN2CNSXB102	VRN2CNSXB102	
				20	VRN2CPPX6202	VRN2CPSX6202	VRN2CPPX6102	VRN2CPSX6102	VRN2CPPX6202	VRN2CPSXB202	VRN2CPPX6102	VRN2CPSXB102	VRN2CPSXB102	
				10	VRN2DMPX6202	VRN2DMSX6202	VRN2DMPX6102	VRN2DMSX6102	VRN2DMPX6202	VRN2DMSXB202	VRN2DMPX6102	VRN2DMSXB102	VRN2DMSXB102	
				15	VRN2DNPX6202	VRN2DNSX6202	VRN2DNPX6102	VRN2DNSX6102	VRN2DNPX6202	VRN2DNSXB202	VRN2DNPX6102	VRN2DNSXB102	VRN2DNSXB102	
				20	VRN2DPPX6202	VRN2DPSX6202	VRN2DPPX6102	VRN2DPSX6102	VRN2DPPX6202	VRN2DPSXB202	VRN2DPPX6102	VRN2DPSXB102	VRN2DPSXB102	
5.0	25	VRN2DQPX6202	VRN2DQSX6202	VRN2DQPX6102	VRN2DQSX6102	VRN2DQPX6202	VRN2DQSXB202	VRN2DQPX6102	VRN2DQSXB102	VRN2DQSXB102				
	30	VRN2DRPX6202	VRN2DRSX6202	VRN2DRPX6102	VRN2DRSX6102	VRN2DRPX6202	VRN2DRSXB202	VRN2DRPX6102	VRN2DRSXB102	VRN2DRSXB102				
	35*	VRN2DSPX6202	VRN2DSSX6202	VRN2DSPX6102	VRN2DSSX6102	VRN2DSPX6202	VRN2DSSXB202	VRN2DSPX6102	VRN2DSSXB102	VRN2DSSXB102				

* Full port ball

** Differential pressure regulator operating range, ±5%

PRODUCT SELECTION - VALVES

Pressure Independent Control Valves, NPT 1/2"-1 1/4" NEMA 3R

Actuator Features		Fail Safe			
Actuator O.S Number		MS8105A1030		MS8105A1130	
Power Supply	Voltage	24 VAC/DC		24 VAC/DC	
	Frequency	50 / 60 Hz		50 / 60 Hz	
	Power	6 VA		6 VA	
Actuator Torque	(lb.-in.)	44		44	
Control	(0)2-10Vdc				
	4-20 mA (w/ external 500 Ohm Resistor)				
	Floating				
	Two-Position SPDT				
	Two-Position SPST	•		•	
Actuator Stroke	(degrees)	95° ± 3°		95° ± 3°	
Timing	(drive/spring return, seconds)	45 / 25		45 / 25	
Aux Switch		0		1	
Feedback	2-10 Vdc Built In				
Fail Safe Action		Closed	Open	Closed	Open
Normal Position	(no signal)	Closed	Open	Closed	Open
Valve Features	Trim	Nickel-Plated Brass	Stainless Steel	Nickel-Plated Brass	Stainless Steel

Valve Size (inches)	Differential Pressure** (psid)		Close-off Pressure (psid)	Max. GPM	Short Order Codes																																																																																																																
	Min.	Max.			1	2	3	4	5	6	7	8	9	10*																																																																																																							
1/2"	3.0	35	100	1	VRN2ABPX7202	VRN2ABSX7202	VRN2ABPX7102	VRN2ABSX7102	VRN2ABPX202	VRN2ABSXA202	VRN2ABPX102	VRN2ABSXA102	2	VRN2ADPX7202	VRN2ADSX7202	VRN2ADPX7102	VRN2ADSX7102	VRN2ADPX202	VRN2ADSXA202	VRN2ADPX102	VRN2ADSXA102	3	VRN2AEPX7202	VRN2AESX7202	VRN2AEPX7102	VRN2AESX7102	VRN2AEPX202	VRN2AESXA202	VRN2AEPX102	VRN2AESXA102	4	VRN2AFPX7202	VRN2AFSX7202	VRN2AFPX7102	VRN2AFSX7102	VRN2AFPX202	VRN2AFSXA202	VRN2AFPX102	VRN2AFSXA102	5	VRN2AGPX7202	VRN2AGSX7202	VRN2AGPX7102	VRN2AGSX7102	VRN2AGPX202	VRN2AGSXA202	VRN2AGPX102	VRN2AGSXA102	6	VRN2AHPX7202	VRN2AHSX7202	VRN2AHPX7102	VRN2AHSX7102	VRN2AHPX202	VRN2AHSXA202	VRN2AHPX102	VRN2AHSXA102	7	VRN2AJPX7202	VRN2AJSX7202	VRN2AJPX7102	VRN2AJSX7102	VRN2AJPX202	VRN2AJSXA202	VRN2AJPX102	VRN2AJSXA102																																																			
				3/4"	35	100	1	VRN2BBPX7202	VRN2BBSX7202	VRN2BBPX7102	VRN2BBSX7102	VRN2BBPX202	VRN2BBSXA202	VRN2BBPX102	VRN2BBSXA102	2	VRN2BDPX7202	VRN2BDSX7202	VRN2BDPX7102	VRN2BDSX7102	VRN2BDPX202	VRN2BDSXA202	VRN2BDPX102	VRN2BDSXA102	3	VRN2BEPX7202	VRN2BESX7202	VRN2BEPX7102	VRN2BESX7102	VRN2BEPX202	VRN2BESXA202	VRN2BEPX102	VRN2BESXA102	4	VRN2BFPX7202	VRN2BFSX7202	VRN2BFPX7102	VRN2BFSX7102	VRN2BFPX202	VRN2BFSXA202	VRN2BFPX102	VRN2BFSXA102	5	VRN2BGPX7202	VRN2BGSX7202	VRN2BGPX7102	VRN2BGSX7102	VRN2BGPX202	VRN2BGSXA202	VRN2BGPX102	VRN2BGSXA102	6	VRN2BHPX7202	VRN2BHSX7202	VRN2BHPX7102	VRN2BHSX7102	VRN2BHPX202	VRN2BHSXA202	VRN2BHPX102	VRN2BHSXA102	7	VRN2BJPX7202	VRN2BJSX7202	VRN2BJPX7102	VRN2BJSX7102	VRN2BJPX202	VRN2BJSXA202	VRN2BJPX102	VRN2BJSXA102	8	VRN2BKPX7202	VRN2BKSX7202	VRN2BKPX7102	VRN2BKSX7102	VRN2BKPX202	VRN2BKSXA202	VRN2BKPX102	VRN2BKSXA102	9	VRN2BLPX7202	VRN2BLSX7202	VRN2BLPX7102	VRN2BLSX7102	VRN2BLPX202	VRN2BLSXA202	VRN2BLPX102	VRN2BLSXA102	10*	VRN2BMPX7202	VRN2BMSX7202	VRN2BMPX7102	VRN2BMSX7102	VRN2BMPX202	VRN2BMSXA202	VRN2BMPX102	VRN2BMSXA102																					
							1"	35	100	1	VRN2CBPX7202	VRN2CBSX7202	VRN2CBPX7102	VRN2CBSX7102	VRN2CBPX202	VRN2CBSXA202	VRN2CBPX102	VRN2CBSXA102	2	VRN2CDPX7202	VRN2CDSX7202	VRN2CDPX7102	VRN2CDSX7102	VRN2CDPX202	VRN2CDSXA202	VRN2CDPX102	VRN2CDSXA102	3	VRN2CEPX7202	VRN2CESX7202	VRN2CEPX7102	VRN2CESX7102	VRN2CEPX202	VRN2CESXA202	VRN2CEPX102	VRN2CESXA102	4	VRN2CFPX7202	VRN2CFSX7202	VRN2CFPX7102	VRN2CFSX7102	VRN2CFPX202	VRN2CFSXA202	VRN2CFPX102	VRN2CFSXA102	5	VRN2CGPX7202	VRN2CGSX7202	VRN2CGPX7102	VRN2CGSX7102	VRN2CGPX202	VRN2CGSXA202	VRN2CGPX102	VRN2CGSXA102	6	VRN2CHPX7202	VRN2CHSX7202	VRN2CHPX7102	VRN2CHSX7102	VRN2CHPX202	VRN2CHSXA202	VRN2CHPX102	VRN2CHSXA102	7	VRN2CJPX7202	VRN2CJSX7202	VRN2CJPX7102	VRN2CJSX7102	VRN2CJPX202	VRN2CJSXA202	VRN2CJPX102	VRN2CJSXA102	8	VRN2CKPX7202	VRN2CKSX7202	VRN2CKPX7102	VRN2CKSX7102	VRN2CKPX202	VRN2CKSXA202	VRN2CKPX102	VRN2CKSXA102	9	VRN2CLPX7202	VRN2CLSX7202	VRN2CLPX7102	VRN2CLSX7102	VRN2CLPX202	VRN2CLSXA202	VRN2CLPX102	VRN2CLSXA102	10	VRN2CMPX7202	VRN2CMSX7202	VRN2CMPX7102	VRN2CMSX7102	VRN2CMPX202	VRN2CMSXA202	VRN2CMPX102	VRN2CMSXA102	15	VRN2CNPX7202	VRN2CNSX7202	VRN2CNPX7102	VRN2CNSX7102	VRN2CNPX202	VRN2CNSXA202	VRN2CNPX102	VRN2CNSXA102	20	VRN2CPPX7202	VRN2CPSX7202	VRN2CPPX7102	VRN2CPSX7102	VRN2CPPX202	VRN2CPSXA202	VRN2CPPX102	VRN2CPSXA102
										1-1/4"	50	100	10	VRN2DMPX7202	VRN2DMSX7202	VRN2DMPX7102	VRN2DMSX7102	VRN2DMPX202	VRN2DMSXA202	VRN2DMPX102	VRN2DMSXA102	15	VRN2DNPX7202	VRN2DNSX7202	VRN2DNPX7102	VRN2DNSX7102	VRN2DNPX202	VRN2DNSXA202	VRN2DNPX102	VRN2DNSXA102	20	VRN2DPPX7202	VRN2DPSX7202	VRN2DPPX7102	VRN2DPSX7102	VRN2DPPX202	VRN2DPSXA202	VRN2DPPX102	VRN2DPSXA102	25	VRN2DQPX7202	VRN2DQSX7202	VRN2DQPX7102	VRN2DQSX7102	VRN2DQPX202	VRN2DQSXA202	VRN2DQPX102	VRN2DQSXA102	30	VRN2DRPX7202	VRN2DRSX7202	VRN2DRPX7102	VRN2DRSX7102	VRN2DRPX202	VRN2DRSXA202	VRN2DRPX102	VRN2DRSXA102	35*	VRN2DSPX7202	VRN2DSSX7202	VRN2DSPX7102	VRN2DSSX7102	VRN2DSPX202	VRN2DSSXA202	VRN2DSPX102	VRN2DSSXA102																																																			

* Full port ball

** Differential pressure regulator operating range, ±5%

PRODUCT SELECTION - VALVES

Pressure Independent Control Valves, NPT 1/2"-1 1/4" NEMA 3R

Actuator Features		Fail Safe			
Actuator O.S Number		MS4105A1030		MS4105A1130	
Power Supply	Voltage	100-250 VAC		100-250 VAC	
	Frequency	50 / 60 Hz		50 / 60 Hz	
	Power	6 VA		6 VA	
Actuator Torque	(lb.-in.)	44		44	
Control	(0)2-10Vdc				
	4-20 mA (w/ external 500 Ohm Resistor)				
	Floating				
	Two-Position SPDT				
	Two-Position SPST	•		•	
Actuator Stroke	(degrees)	95° ± 3°		95° ± 3°	
Timing	(drive/spring return, seconds)	45 / 25		45 / 25	
Aux Switch		0		1	
Feedback	2-10 Vdc Built In				
Fail Safe Action		Closed	Open	Closed	Open
Normal Position	(no signal)	Closed	Open	Closed	Open
Valve Features	Trim	Nickel-Plated Brass	Stainless Steel	Nickel-Plated Brass	Stainless Steel

Valve Size (inches)	Differential Pressure** (psid)		Close-off Pressure (psid)	Max. GPM	Short Order Codes											
	Min.	Max.			VRN2ABPX8202	VRN2ABSX8202	VRN2ABPX8102	VRN2ABSX8102	VRN2ABPX9202	VRN2ABSX9202	VRN2ABPX9102	VRN2ABSX9102				
1/2"	3.0	35	100	1	VRN2ADPX8202	VRN2ADPX8102	VRN2ADPX9202	VRN2ADPX9102	VRN2ADPX8202	VRN2ADPX8102	VRN2ADPX9202	VRN2ADPX9102	VRN2ADPX8202	VRN2ADPX8102	VRN2ADPX9202	VRN2ADPX9102
				2	VRN2AEPX8202	VRN2AEPX8102	VRN2AEPX9202	VRN2AEPX9102	VRN2AEPX8202	VRN2AEPX8102	VRN2AEPX9202	VRN2AEPX9102	VRN2AEPX8202	VRN2AEPX8102	VRN2AEPX9202	VRN2AEPX9102
				3	VRN2AFSX8202	VRN2AFSX8102	VRN2AFSX9202	VRN2AFSX9102	VRN2AFSX8202	VRN2AFSX8102	VRN2AFSX9202	VRN2AFSX9102	VRN2AFSX8202	VRN2AFSX8102	VRN2AFSX9202	VRN2AFSX9102
				4	VRN2AGPX8202	VRN2AGPX8102	VRN2AGPX9202	VRN2AGPX9102	VRN2AGPX8202	VRN2AGPX8102	VRN2AGPX9202	VRN2AGPX9102	VRN2AGPX8202	VRN2AGPX8102	VRN2AGPX9202	VRN2AGPX9102
				5	VRN2AHSX8202	VRN2AHSX8102	VRN2AHSX9202	VRN2AHSX9102	VRN2AHSX8202	VRN2AHSX8102	VRN2AHSX9202	VRN2AHSX9102	VRN2AHSX8202	VRN2AHSX8102	VRN2AHSX9202	VRN2AHSX9102
				6	VRN2AJPX8202	VRN2AJPX8102	VRN2AJPX9202	VRN2AJPX9102	VRN2AJPX8202	VRN2AJPX8102	VRN2AJPX9202	VRN2AJPX9102	VRN2AJPX8202	VRN2AJPX8102	VRN2AJPX9202	VRN2AJPX9102
				7	VRN2AJSX8202	VRN2AJSX8102	VRN2AJSX9202	VRN2AJSX9102	VRN2AJSX8202	VRN2AJSX8102	VRN2AJSX9202	VRN2AJSX9102	VRN2AJSX8202	VRN2AJSX8102	VRN2AJSX9202	VRN2AJSX9102
3/4"	3.0	35	100	1	VRN2BBSX8202	VRN2BBSX8102	VRN2BBSX9202	VRN2BBSX9102	VRN2BBSX8202	VRN2BBSX8102	VRN2BBSX9202	VRN2BBSX9102	VRN2BBSX8202	VRN2BBSX8102	VRN2BBSX9202	VRN2BBSX9102
				2	VRN2BDPX8202	VRN2BDPX8102	VRN2BDPX9202	VRN2BDPX9102	VRN2BDPX8202	VRN2BDPX8102	VRN2BDPX9202	VRN2BDPX9102	VRN2BDPX8202	VRN2BDPX8102	VRN2BDPX9202	VRN2BDPX9102
				3	VRN2BESX8202	VRN2BESX8102	VRN2BESX9202	VRN2BESX9102	VRN2BESX8202	VRN2BESX8102	VRN2BESX9202	VRN2BESX9102	VRN2BESX8202	VRN2BESX8102	VRN2BESX9202	VRN2BESX9102
				4	VRN2BFSX8202	VRN2BFSX8102	VRN2BFSX9202	VRN2BFSX9102	VRN2BFSX8202	VRN2BFSX8102	VRN2BFSX9202	VRN2BFSX9102	VRN2BFSX8202	VRN2BFSX8102	VRN2BFSX9202	VRN2BFSX9102
				5	VRN2BGX8202	VRN2BGX8102	VRN2BGX9202	VRN2BGX9102	VRN2BGX8202	VRN2BGX8102	VRN2BGX9202	VRN2BGX9102	VRN2BGX8202	VRN2BGX8102	VRN2BGX9202	VRN2BGX9102
	6	VRN2BHSX8202	VRN2BHSX8102	VRN2BHSX9202	VRN2BHSX9102	VRN2BHSX8202	VRN2BHSX8102	VRN2BHSX9202	VRN2BHSX9102	VRN2BHSX8202	VRN2BHSX8102	VRN2BHSX9202	VRN2BHSX9102			
	7	VRN2BJSX8202	VRN2BJSX8102	VRN2BJSX9202	VRN2BJSX9102	VRN2BJSX8202	VRN2BJSX8102	VRN2BJSX9202	VRN2BJSX9102	VRN2BJSX8202	VRN2BJSX8102	VRN2BJSX9202	VRN2BJSX9102			
	8	VRN2BKPX8202	VRN2BKPX8102	VRN2BKPX9202	VRN2BKPX9102	VRN2BKPX8202	VRN2BKPX8102	VRN2BKPX9202	VRN2BKPX9102	VRN2BKPX8202	VRN2BKPX8102	VRN2BKPX9202	VRN2BKPX9102			
	9	VRN2BLSX8202	VRN2BLSX8102	VRN2BLSX9202	VRN2BLSX9102	VRN2BLSX8202	VRN2BLSX8102	VRN2BLSX9202	VRN2BLSX9102	VRN2BLSX8202	VRN2BLSX8102	VRN2BLSX9202	VRN2BLSX9102			
	10*	VRN2BMSX8202	VRN2BMSX8102	VRN2BMSX9202	VRN2BMSX9102	VRN2BMSX8202	VRN2BMSX8102	VRN2BMSX9202	VRN2BMSX9102	VRN2BMSX8202	VRN2BMSX8102	VRN2BMSX9202	VRN2BMSX9102			
1"	3.0	35	100	1	VRN2CBPX8202	VRN2CBPX8102	VRN2CBPX9202	VRN2CBPX9102	VRN2CBPX8202	VRN2CBPX8102	VRN2CBPX9202	VRN2CBPX9102	VRN2CBPX8202	VRN2CBPX8102	VRN2CBPX9202	VRN2CBPX9102
				2	VRN2CDSX8202	VRN2CDSX8102	VRN2CDSX9202	VRN2CDSX9102	VRN2CDSX8202	VRN2CDSX8102	VRN2CDSX9202	VRN2CDSX9102	VRN2CDSX8202	VRN2CDSX8102	VRN2CDSX9202	VRN2CDSX9102
				3	VRN2CEPX8202	VRN2CEPX8102	VRN2CEPX9202	VRN2CEPX9102	VRN2CEPX8202	VRN2CEPX8102	VRN2CEPX9202	VRN2CEPX9102	VRN2CEPX8202	VRN2CEPX8102	VRN2CEPX9202	VRN2CEPX9102
				4	VRN2CFPX8202	VRN2CFPX8102	VRN2CFPX9202	VRN2CFPX9102	VRN2CFPX8202	VRN2CFPX8102	VRN2CFPX9202	VRN2CFPX9102	VRN2CFPX8202	VRN2CFPX8102	VRN2CFPX9202	VRN2CFPX9102
				5	VRN2CGPX8202	VRN2CGPX8102	VRN2CGPX9202	VRN2CGPX9102	VRN2CGPX8202	VRN2CGPX8102	VRN2CGPX9202	VRN2CGPX9102	VRN2CGPX8202	VRN2CGPX8102	VRN2CGPX9202	VRN2CGPX9102
	6	VRN2CHPX8202	VRN2CHPX8102	VRN2CHPX9202	VRN2CHPX9102	VRN2CHPX8202	VRN2CHPX8102	VRN2CHPX9202	VRN2CHPX9102	VRN2CHPX8202	VRN2CHPX8102	VRN2CHPX9202	VRN2CHPX9102			
	7	VRN2CJX8202	VRN2CJX8102	VRN2CJX9202	VRN2CJX9102	VRN2CJX8202	VRN2CJX8102	VRN2CJX9202	VRN2CJX9102	VRN2CJX8202	VRN2CJX8102	VRN2CJX9202	VRN2CJX9102			
	8	VRN2CKPX8202	VRN2CKPX8102	VRN2CKPX9202	VRN2CKPX9102	VRN2CKPX8202	VRN2CKPX8102	VRN2CKPX9202	VRN2CKPX9102	VRN2CKPX8202	VRN2CKPX8102	VRN2CKPX9202	VRN2CKPX9102			
	9	VRN2CLSX8202	VRN2CLSX8102	VRN2CLSX9202	VRN2CLSX9102	VRN2CLSX8202	VRN2CLSX8102	VRN2CLSX9202	VRN2CLSX9102	VRN2CLSX8202	VRN2CLSX8102	VRN2CLSX9202	VRN2CLSX9102			
	10	VRN2CMSX8202	VRN2CMSX8102	VRN2CMSX9202	VRN2CMSX9102	VRN2CMSX8202	VRN2CMSX8102	VRN2CMSX9202	VRN2CMSX9102	VRN2CMSX8202	VRN2CMSX8102	VRN2CMSX9202	VRN2CMSX9102			
1-1/4"	4.0	50	100	10	VRN2CNPX8202	VRN2CNPX8102	VRN2CNPX9202	VRN2CNPX9102	VRN2CNPX8202	VRN2CNPX8102	VRN2CNPX9202	VRN2CNPX9102	VRN2CNPX8202	VRN2CNPX8102	VRN2CNPX9202	VRN2CNPX9102
				15	VRN2DMPX8202	VRN2DMPX8102	VRN2DMPX9202	VRN2DMPX9102	VRN2DMPX8202	VRN2DMPX8102	VRN2DMPX9202	VRN2DMPX9102	VRN2DMPX8202	VRN2DMPX8102	VRN2DMPX9202	VRN2DMPX9102
				20	VRN2DNPX8202	VRN2DNPX8102	VRN2DNPX9202	VRN2DNPX9102	VRN2DNPX8202	VRN2DNPX8102	VRN2DNPX9202	VRN2DNPX9102	VRN2DNPX8202	VRN2DNPX8102	VRN2DNPX9202	VRN2DNPX9102
				25	VRN2DPPX8202	VRN2DPPX8102	VRN2DPPX9202	VRN2DPPX9102	VRN2DPPX8202	VRN2DPPX8102	VRN2DPPX9202	VRN2DPPX9102	VRN2DPPX8202	VRN2DPPX8102	VRN2DPPX9202	VRN2DPPX9102
				30	VRN2DRPX8202	VRN2DRPX8102	VRN2DRPX9202	VRN2DRPX9102	VRN2DRPX8202	VRN2DRPX8102	VRN2DRPX9202	VRN2DRPX9102	VRN2DRPX8202	VRN2DRPX8102	VRN2DRPX9202	VRN2DRPX9102
6.5	35*	VRN2DSSX8202	VRN2DSSX8102	VRN2DSSX9202	VRN2DSSX9102	VRN2DSSX8202	VRN2DSSX8102	VRN2DSSX9202	VRN2DSSX9102	VRN2DSSX8202	VRN2DSSX8102	VRN2DSSX9202	VRN2DSSX9102			

* Full port ball

** Differential pressure regulator operating range, ±5%

PRODUCT SELECTION - VALVES

Pressure Independent Control Valves, NPT 1½"-3" NEMA 3R

Actuator Features		Non Fail Safe				
Actuator O.S Number		MN6105A1011	MN6105A1201	MN7505A2001	MN7505A2209	
Power Supply	Voltage	24 VAC/DC	24 VAC/DC	24 VAC/DC	24 VAC/DC	
	Frequency	50 / 60 Hz	50 / 60 Hz	50 / 60 Hz	50 / 60 Hz	
	Power	5 VA	5 VA	5 VA	5 VA	
Actuator Torque	(lb.-in.)	44	44	44	44	
Control	(0)2-10Vdc			•	•	
	4-20 mA (w/ external 500 Ohm Resistor)			•	•	
	Floating	•	•	•	•	
	Two-Position SPDT	•	•	•	•	
	Two-Position SPST			•	•	
	Actuator Stroke	(degrees)	95° ± 3°	95° ± 3°	95° ± 3°	95° ± 3°
	Timing	(drive/spring return, seconds)	90	90	90	90
Aux Switch		0	2	0	2	
Feedback	2-10 Vdc Built In	-	-	•	•	
Fail Safe Action		Stay in Place	Stay in Place	Stay in Place	Stay in Place	
Normal Position	(no signal)	Stay in Place	Stay in Place	Closed	Closed	
Valve Features	Trim	Nickel-Plated Brass Stainless Steel	Nickel-Plated Brass Stainless Steel	Nickel-Plated Brass Stainless Steel	Nickel-Plated Brass Stainless Steel	

Valve Size (inches)	Differential Pressure** (psid)		Close-off Pressure (psid)	Max. GPM	Short Order Codes									
	Min.	Max.												
1-1/2"	4	50	100	10	VRN2EMPX4002	VRN2EMSX4002	VRN2EMPXC002	VRN2EMSC002	VRN2EMPX5002	VRN2EMSX5002	VRN2EMPXD002	VRN2EMSD002		
				15	VRN2ENPX4002	VRN2ENSX4002	VRN2ENPXC002	VRN2ENSC002	VRN2ENPX5002	VRN2ENSX5002	VRN2ENPXD002	VRN2ENSXD002		
	5	50		20	VRN2EPPX4002	VRN2EPSX4002	VRN2EPPXC002	VRN2EPSXC002	VRN2EPPX5002	VRN2EPSX5002	VRN2EPPXD002	VRN2EPSXD002		
				25	VRN2EQPX4002	VRN2EQSX4002	VRN2EQPXC002	VRN2EQSXC002	VRN2EQPX5002	VRN2EQSX5002	VRN2EQPXD002	VRN2EQSXD002		
	4	58		30	VRN2ERPX4002	VRN2ERSX4002	VRN2ERPXC002	VRN2ERSXC002	VRN2ERPX5002	VRN2ERSX5002	VRN2ERPXD002	VRN2ERSXD002		
				35	VRN2ESPX4002	VRN2ESSX4002	VRN2ESPC002	VRN2ESSXC002	VRN2ESPX5002	VRN2ESSX5002	VRN2ESPXD002	VRN2ESSXD002		
	6	58		40	VRN2ETPX4002	VRN2ETSX4002	VRN2ETPC002	VRN2ETSXC002	VRN2ETPX5002	VRN2ETSX5002	VRN2ETPXD002	VRN2ETSXD002		
				45	VRN2EUPX4002	VRN2EUSX4002	VRN2EUPXC002	VRN2EUSXC002	VRN2EUPX5002	VRN2EUSX5002	VRN2EUPXD002	VRN2EUSXD002		
	7	58		50	VRN2E1PX4002	VRN2E1SX4002	VRN2E1PXC002	VRN2E1SXC002	VRN2E1PX5002	VRN2E1SX5002	VRN2E1PXD002	VRN2E1SXD002		
				55	VRN2E2PX4002	VRN2E2SX4002	VRN2E2PXC002	VRN2E2SXC002	VRN2E2PX5002	VRN2E2SX5002	VRN2E2PXD002	VRN2E2SXD002		
	7	58		60	VRN2E3PX4002	VRN2E3SX4002	VRN2E3PXC002	VRN2E3SXC002	VRN2E3PX5002	VRN2E3SX5002	VRN2E3PXD002	VRN2E3SXD002		
				65	VRN2E4PX4002	VRN2E4SX4002	VRN2E4PXC002	VRN2E4SXC002	VRN2E4PX5002	VRN2E4SX5002	VRN2E4PXD002	VRN2E4SXD002		
	11	58		70	VRN2E5PX4002	VRN2E5SX4002	VRN2E5PXC002	VRN2E5SXC002	VRN2E5PX5002	VRN2E5SX5002	VRN2E5PXD002	VRN2E5SXD002		
				75	VRN2E6PX4002	VRN2E6SX4002	VRN2E6PXC002	VRN2E6SXC002	VRN2E6PX5002	VRN2E6SX5002	VRN2E6PXD002	VRN2E6SXD002		
	11	58		80	VRN2E7PX4002	VRN2E7SX4002	VRN2E7PXC002	VRN2E7SXC002	VRN2E7PX5002	VRN2E7SX5002	VRN2E7PXD002	VRN2E7SXD002		
				85	VRN2E8PX4002	VRN2E8SX4002	VRN2E8PXC002	VRN2E8SXC002	VRN2E8PX5002	VRN2E8SX5002	VRN2E8PXD002	VRN2E8SXD002		
11	58	95	VRN2E9PX4002	VRN2E9SX4002	VRN2E9PXC002	VRN2E9SXC002	VRN2E9PX5002	VRN2E9SX5002	VRN2E9PXD002	VRN2E9SXD002				
		25	VRN2FQPX4002	VRN2FQSX4002	VRN2FQPXC002	VRN2FQSC002	VRN2FQPX5002	VRN2FQSX5002	VRN2FQPXD002	VRN2FQSD002				
4	58	30	VRN2FRPX4002	VRN2FRSX4002	VRN2FRPXC002	VRN2FRSXC002	VRN2FRPX5002	VRN2FRSX5002	VRN2FRPXD002	VRN2FRSD002				
		35	VRN2FSPX4002	VRN2FSSX4002	VRN2FSPXC002	VRN2FSSXC002	VRN2FSPX5002	VRN2FSSX5002	VRN2FSPXD002	VRN2FSSXD002				
6	58	40	VRN2FTPX4002	VRN2FTSX4002	VRN2FTPXC002	VRN2FTSXC002	VRN2FTPX5002	VRN2FTSX5002	VRN2FTPXD002	VRN2FTSD002				
		45	VRN2FUPX4002	VRN2FUSX4002	VRN2FUPXC002	VRN2FUSXC002	VRN2FUPX5002	VRN2FUSX5002	VRN2FUPXD002	VRN2FUSXD002				
7	58	50	VRN2F1PX4002	VRN2F1SX4002	VRN2F1PXC002	VRN2F1SXC002	VRN2F1PX5002	VRN2F1SX5002	VRN2F1PXD002	VRN2F1SXD002				
		55	VRN2F2PX4002	VRN2F2SX4002	VRN2F2PXC002	VRN2F2SXC002	VRN2F2PX5002	VRN2F2SX5002	VRN2F2PXD002	VRN2F2SXD002				
7	58	60	VRN2F3PX4002	VRN2F3SX4002	VRN2F3PXC002	VRN2F3SXC002	VRN2F3PX5002	VRN2F3SX5002	VRN2F3PXD002	VRN2F3SXD002				
		65	VRN2F4PX4002	VRN2F4SX4002	VRN2F4PXC002	VRN2F4SXC002	VRN2F4PX5002	VRN2F4SX5002	VRN2F4PXD002	VRN2F4SXD002				
7	58	70	VRN2F5PX4002	VRN2F5SX4002	VRN2F5PXC002	VRN2F5SXC002	VRN2F5PX5002	VRN2F5SX5002	VRN2F5PXD002	VRN2F5SXD002				
		75	VRN2F6PX4002	VRN2F6SX4002	VRN2F6PXC002	VRN2F6SXC002	VRN2F6PX5002	VRN2F6SX5002	VRN2F6PXD002	VRN2F6SXD002				
11	58	25	VRN2GQPX4002	VRN2GQSX4002	VRN2GQPXC002	VRN2GQSC002	VRN2GQPX5002	VRN2GQSX5002	VRN2GQPXD002	VRN2GQSD002				
		30	VRN2GRPX4002	VRN2GRSX4002	VRN2GRPXC002	VRN2GRSXC002	VRN2GRPX5002	VRN2GRSX5002	VRN2GRPXD002	VRN2GRSD002				
6	58	35	VRN2GSPX4002	VRN2GSSX4002	VRN2GSPXC002	VRN2GSSXC002	VRN2GSPX5002	VRN2GSSX5002	VRN2GSPXD002	VRN2GSSXD002				
		40	VRN2GTPX4002	VRN2GTSX4002	VRN2GTPXC002	VRN2GTSXC002	VRN2GTPX5002	VRN2GTSX5002	VRN2GTPXD002	VRN2GTSXD002				
4	58	45	VRN2GUPX4002	VRN2GUSX4002	VRN2GUPXC002	VRN2GUSXC002	VRN2GUPX5002	VRN2GUSX5002	VRN2GUPXD002	VRN2GUSXD002				
		50	VRN2G1PX4002	VRN2G1SX4002	VRN2G1PXC002	VRN2G1SXC002	VRN2G1PX5002	VRN2G1SX5002	VRN2G1PXD002	VRN2G1SXD002				
7	58	55	VRN2G2PX4002	VRN2G2SX4002	VRN2G2PXC002	VRN2G2SXC002	VRN2G2PX5002	VRN2G2SX5002	VRN2G2PXD002	VRN2G2SXD002				
		60	VRN2G3PX4002	VRN2G3SX4002	VRN2G3PXC002	VRN2G3SXC002	VRN2G3PX5002	VRN2G3SX5002	VRN2G3PXD002	VRN2G3SXD002				
7	58	65	VRN2G4PX4002	VRN2G4SX4002	VRN2G4PXC002	VRN2G4SXC002	VRN2G4PX5002	VRN2G4SX5002	VRN2G4PXD002	VRN2G4SXD002				
		70	VRN2G5PX4002	VRN2G5SX4002	VRN2G5PXC002	VRN2G5SXC002	VRN2G5PX5002	VRN2G5SX5002	VRN2G5PXD002	VRN2G5SXD002				
11	58	75	VRN2G6PX4002	VRN2G6SX4002	VRN2G6PXC002	VRN2G6SXC002	VRN2G6PX5002	VRN2G6SX5002	VRN2G6PXD002	VRN2G6SXD002				
		80	VRN2G7PX4002	VRN2G7SX4002	VRN2G7PXC002	VRN2G7SXC002	VRN2G7PX5002	VRN2G7SX5002	VRN2G7PXD002	VRN2G7SXD002				
11	58	85	VRN2G8PX4002	VRN2G8SX4002	VRN2G8PXC002	VRN2G8SXC002	VRN2G8PX5002	VRN2G8SX5002	VRN2G8PXD002	VRN2G8SXD002				
		95*	VRN2G9PX4002	VRN2G9SX4002	VRN2G9PXC002	VRN2G9SXC002	VRN2G9PX5002	VRN2G9SX5002	VRN2G9PXD002	VRN2G9SXD002				
4	58	25	VRN2HQPX4002	VRN2HQSX4002	VRN2HQPXC002	VRN2HQSC002	VRN2HQPX5002	VRN2HQSX5002	VRN2HQPXD002	VRN2HQSD002				
		30	VRN2HRPX4002	VRN2HRSX4002	VRN2HRPXC002	VRN2HRSC002	VRN2HRPX5002	VRN2HRSX5002	VRN2HRPXD002	VRN2HRSD002				
6	58	35	VRN2HSPX4002	VRN2HSSX4002	VRN2HSPXC002	VRN2HSSXC002	VRN2HSPX5002	VRN2HSSX5002	VRN2HSPXD002	VRN2HSSXD002				
		40	VRN2HTPX4002	VRN2HTSX4002	VRN2HTPXC002	VRN2HTSXC002	VRN2HTPX5002	VRN2HTSX5002	VRN2HTPXD002	VRN2HTSD002				
7	58	45	VRN2HUPX4002	VRN2HUSX4002	VRN2HUPXC002	VRN2HUSXC002	VRN2HUPX5002	VRN2HUSX5002	VRN2HUPXD002	VRN2HUSXD002				
		50	VRN2H1PX4002	VRN2H1SX4002	VRN2H1PXC002	VRN2H1SXC002	VRN2H1PX5002	VRN2H1SX5002	VRN2H1PXD002	VRN2H1SXD002				
7	58	55	VRN2H2PX4002	VRN2H2SX4002	VRN2H2PXC002	VRN2H2SXC002	VRN2H2PX5002	VRN2H2SX5002	VRN2H2PXD002	VRN2H2SXD002				
		60	VRN2H3PX4002	VRN2H3SX4002	VRN2H3PXC002	VRN2H3SXC002	VRN2H3PX5002	VRN2H3SX5002	VRN2H3PXD002	VRN2H3SXD002				
11	58	65	VRN2H4PX4002	VRN2H4SX4002	VRN2H4PXC002	VRN2H4SXC002	VRN2H4PX5002	VRN2H4SX5002	VRN2H4PXD002	VRN2H4SXD002				
		70	VRN2H5PX4002	VRN2H5SX4002	VRN2H5PXC002	VRN2H5SXC002	VRN2H5PX5002	VRN2H5SX5002	VRN2H5PXD002	VRN2H5SXD002				
11	58	75	VRN2H6PX4002	VRN2H6SX4002	VRN2H6PXC002	VRN2H6SXC002	VRN2H6PX5002	VRN2H6SX5002	VRN2H6PXD002	VRN2H6SXD002				
		80	VRN2H7PX4002	VRN2H7SX4002	VRN2H7PXC002	VRN2H7SXC002	VRN2H7PX5002	VRN2H7SX5002	VRN2H7PXD002	VRN2H7SXD002				
11	58	85	VRN2H8PX4002	VRN2H8SX4002	VRN2H8PXC002	VRN2H8SXC002	VRN2H8PX5002	VRN2H8SX5002	VRN2H8PXD002	VRN2H8SXD002				
		95*	VRN2H9PX4002	VRN2H9SX4002	VRN2H9PXC002	VRN2H9SXC002	VRN2H9PX5002	VRN2H9SX5002	VRN2H9PXD002	VRN2H9SXD002				

* Full port ball

** Differential pressure regulator operating range, ±5%

PRODUCT SELECTION - VALVES

Pressure Independent Control Valves, NPT 1½"-3" NEMA 3R

Actuator Features		Fail Safe						
Actuator O.S Number		MST505A2030		MST505A2130				
Power Supply	Voltage	24 VAC/DC		24 VAC/DC				
	Frequency	50 / 60 Hz		50 / 60 Hz				
	Power	6 VA		6 VA				
Actuator Torque	(lb.-in.)	44		44				
	Control	(0)2-10Vdc		•				
4-20 mA (w/ external 500 Ohm Resistor)	Floating	•		•				
	Two-Position SPDT	•		•				
	Two-Position SPST	•		•				
	Actuator Stroke	(degrees)	95° ± 3°		95° ± 3°			
	Timing	(drive/spring return, seconds)	90 / 25		90 / 25			
	Aux Switch		0		1			
Feedback	2-10 Vdc Built In	•		•				
Fail Safe Action	(no signal)	Closed	Open	Closed	Open			
	Normal Position	Closed	Open	Closed	Open			
Valve Features		Trim	Nickel-Plated Brass	Stainless Steel	Nickel-Plated Brass	Stainless Steel	Nickel-Plated Brass	Stainless Steel

Valve Size (inches)	Differential Pressure** (psid)		Close-off Pressure (psid)	Max. GPM	Short Order Codes									
	Min.	Max.			VRN2EMPX6202	VRN2EMXS6202	VRN2EMPX6102	VRN2EMSX6102	VRN2EMPXB202	VRN2EMSB202	VRN2EMPXB102	VRN2EMSXB102		
1-1/2"	4	50	100	10	VRN2EMPX6202	VRN2EMXS6202	VRN2EMPX6102	VRN2EMSX6102	VRN2EMPXB202	VRN2EMSB202	VRN2EMPXB102	VRN2EMSXB102		
				15	VRN2ENPX6202	VRN2ENSX6202	VRN2ENPX6102	VRN2ENSX6102	VRN2ENPB202	VRN2ENSB202	VRN2ENPB102	VRN2ENSXB102		
				20	VRN2EPPX6202	VRN2EPSX6202	VRN2EPPX6102	VRN2EPSX6102	VRN2EPPXB202	VRN2EPSXB202	VRN2EPPXB102	VRN2EPSXB102		
				25	VRN2EQPX6202	VRN2EQSX6202	VRN2EQPX6102	VRN2EQSX6102	VRN2EQPB202	VRN2EQSB202	VRN2EQPB102	VRN2EQSB102		
				30	VRN2ERPX6202	VRN2ERSX6202	VRN2ERPX6102	VRN2ERSX6102	VRN2ERPXB202	VRN2ERSXB202	VRN2ERPXB102	VRN2ERSXB102		
				35	VRN2ESPX6202	VRN2ESSX6202	VRN2ESPX6102	VRN2ESSX6102	VRN2ESPXB202	VRN2ESSXB202	VRN2ESPXB102	VRN2ESSXB102		
	6	58		40	VRN2ETPX6202	VRN2ETSX6202	VRN2ETPX6102	VRN2ETSX6102	VRN2ETPB202	VRN2ETSB202	VRN2ETPB102	VRN2ETSB102		
				45	VRN2EUPX6202	VRN2EUSX6202	VRN2EUPX6102	VRN2EUSX6102	VRN2EUPXB202	VRN2EUSXB202	VRN2EUPXB102	VRN2EUSXB102		
				50	VRN2E1PX6202	VRN2E1SX6202	VRN2E1PX6102	VRN2E1SX6102	VRN2E1PB202	VRN2E1SB202	VRN2E1PB102	VRN2E1SB102		
				55	VRN2E2PX6202	VRN2E2SX6202	VRN2E2PX6102	VRN2E2SX6102	VRN2E2PB202	VRN2E2SB202	VRN2E2PB102	VRN2E2SB102		
				60	VRN2E3PX6202	VRN2E3SX6202	VRN2E3PX6102	VRN2E3SX6102	VRN2E3PB202	VRN2E3SB202	VRN2E3PB102	VRN2E3SB102		
				65	VRN2E4PX6202	VRN2E4SX6202	VRN2E4PX6102	VRN2E4SX6102	VRN2E4PB202	VRN2E4SB202	VRN2E4PB102	VRN2E4SB102		
7	58	70	VRN2E5PX6202	VRN2E5SX6202	VRN2E5PX6102	VRN2E5SX6102	VRN2E5PB202	VRN2E5SB202	VRN2E5PB102	VRN2E5SB102				
		75	VRN2E6PX6202	VRN2E6SX6202	VRN2E6PX6102	VRN2E6SX6102	VRN2E6PB202	VRN2E6SB202	VRN2E6PB102	VRN2E6SB102				
		80	VRN2E7PX6202	VRN2E7SX6202	VRN2E7PX6102	VRN2E7SX6102	VRN2E7PB202	VRN2E7SB202	VRN2E7PB102	VRN2E7SB102				
		85	VRN2E8PX6202	VRN2E8SX6202	VRN2E8PX6102	VRN2E8SX6102	VRN2E8PB202	VRN2E8SB202	VRN2E8PB102	VRN2E8SB102				
		95	VRN2E9PX6202	VRN2E9SX6202	VRN2E9PX6102	VRN2E9SX6102	VRN2E9PB202	VRN2E9SB202	VRN2E9PB102	VRN2E9SB102				
		25	VRN2FQPX6202	VRN2FQSX6202	VRN2FQPX6102	VRN2FQSX6102	VRN2FQPB202	VRN2FQSB202	VRN2FQPB102	VRN2FQSB102				
2"	4	58	100	30	VRN2FRPX6202	VRN2FRSX6202	VRN2FRPX6102	VRN2FRSX6102	VRN2FRPB202	VRN2FRSB202	VRN2FRPB102	VRN2FRSB102		
				35	VRN2FSPX6202	VRN2FSSX6202	VRN2FSPX6102	VRN2FSSX6102	VRN2FSPXB202	VRN2FSSXB202	VRN2FSPXB102	VRN2FSSXB102		
				40	VRN2FTPX6202	VRN2FTSX6202	VRN2FTPX6102	VRN2FTSX6102	VRN2FTPB202	VRN2FTSB202	VRN2FTPB102	VRN2FTSB102		
				45	VRN2FUPX6202	VRN2FUSX6202	VRN2FUPX6102	VRN2FUSX6102	VRN2FUPXB202	VRN2FUSXB202	VRN2FUPXB102	VRN2FUSXB102		
				50	VRN2F1PX6202	VRN2F1SX6202	VRN2F1PX6102	VRN2F1SX6102	VRN2F1PB202	VRN2F1SB202	VRN2F1PB102	VRN2F1SB102		
				55	VRN2F2PX6202	VRN2F2SX6202	VRN2F2PX6102	VRN2F2SX6102	VRN2F2PB202	VRN2F2SB202	VRN2F2PB102	VRN2F2SB102		
	7	58		60	VRN2F3PX6202	VRN2F3SX6202	VRN2F3PX6102	VRN2F3SX6102	VRN2F3PB202	VRN2F3SB202	VRN2F3PB102	VRN2F3SB102		
				65	VRN2F4PX6202	VRN2F4SX6202	VRN2F4PX6102	VRN2F4SX6102	VRN2F4PB202	VRN2F4SB202	VRN2F4PB102	VRN2F4SB102		
				70	VRN2F5PX6202	VRN2F5SX6202	VRN2F5PX6102	VRN2F5SX6102	VRN2F5PB202	VRN2F5SB202	VRN2F5PB102	VRN2F5SB102		
				75	VRN2F6PX6202	VRN2F6SX6202	VRN2F6PX6102	VRN2F6SX6102	VRN2F6PB202	VRN2F6SB202	VRN2F6PB102	VRN2F6SB102		
				25	VRN2GQPX6202	VRN2GQSX6202	VRN2GQPX6102	VRN2GQSX6102	VRN2GQPB202	VRN2GQSB202	VRN2GQPB102	VRN2GQSB102		
				30	VRN2GRPX6202	VRN2GRSX6202	VRN2GRPX6102	VRN2GRSX6102	VRN2GRPB202	VRN2GRSB202	VRN2GRPB102	VRN2GRSB102		
2-1/2"	4	58	100	35	VRN2GSPX6202	VRN2GSSX6202	VRN2GSPX6102	VRN2GSSX6102	VRN2GSPXB202	VRN2GSSXB202	VRN2GSPXB102	VRN2GSSXB102		
				40	VRN2GTPX6202	VRN2GTSX6202	VRN2GTPX6102	VRN2GTSX6102	VRN2GTPXB202	VRN2GTSXB202	VRN2GTPXB102	VRN2GTSXB102		
				45	VRN2GUPX6202	VRN2GUSX6202	VRN2GUPX6102	VRN2GUSX6102	VRN2GUPXB202	VRN2GUSXB202	VRN2GUPXB102	VRN2GUSXB102		
				50	VRN2G1PX6202	VRN2G1SX6202	VRN2G1PX6102	VRN2G1SX6102	VRN2G1PB202	VRN2G1SB202	VRN2G1PB102	VRN2G1SB102		
				55	VRN2G2PX6202	VRN2G2SX6202	VRN2G2PX6102	VRN2G2SX6102	VRN2G2PB202	VRN2G2SB202	VRN2G2PB102	VRN2G2SB102		
				60	VRN2G3PX6202	VRN2G3SX6202	VRN2G3PX6102	VRN2G3SX6102	VRN2G3PB202	VRN2G3SB202	VRN2G3PB102	VRN2G3SB102		
	7	58		65	VRN2G4PX6202	VRN2G4SX6202	VRN2G4PX6102	VRN2G4SX6102	VRN2G4PB202	VRN2G4SB202	VRN2G4PB102	VRN2G4SB102		
				70	VRN2G5PX6202	VRN2G5SX6202	VRN2G5PX6102	VRN2G5SX6102	VRN2G5PB202	VRN2G5SB202	VRN2G5PB102	VRN2G5SB102		
				75	VRN2G6PX6202	VRN2G6SX6202	VRN2G6PX6102	VRN2G6SX6102	VRN2G6PB202	VRN2G6SB202	VRN2G6PB102	VRN2G6SB102		
				80	VRN2G7PX6202	VRN2G7SX6202	VRN2G7PX6102	VRN2G7SX6102	VRN2G7PB202	VRN2G7SB202	VRN2G7PB102	VRN2G7SB102		
				85	VRN2G8PX6202	VRN2G8SX6202	VRN2G8PX6102	VRN2G8SX6102	VRN2G8PB202	VRN2G8SB202	VRN2G8PB102	VRN2G8SB102		
				95*	VRN2G9PX6202	VRN2G9SX6202	VRN2G9PX6102	VRN2G9SX6102	VRN2G9PB202	VRN2G9SB202	VRN2G9PB102	VRN2G9SB102		
3"	4	58	100	25	VRN2HQPX6202	VRN2HQSX6202	VRN2HQPX6102	VRN2HQSX6102	VRN2HQPB202	VRN2HQSB202	VRN2HQPB102	VRN2HQSB102		
				30	VRN2HRPX6202	VRN2HRSX6202	VRN2HRPX6102	VRN2HRSX6102	VRN2HRPB202	VRN2HRSB202	VRN2HRPB102	VRN2HRSB102		
				35	VRN2HSPX6202	VRN2HSSX6202	VRN2HSPX6102	VRN2HSSX6102	VRN2HSPXB202	VRN2HSSXB202	VRN2HSPXB102	VRN2HSSXB102		
				40	VRN2HTPX6202	VRN2HTSX6202	VRN2HTPX6102	VRN2HTSX6102	VRN2HTPB202	VRN2HTSB202	VRN2HTPB102	VRN2HTSB102		
				45	VRN2HUPX6202	VRN2HUSX6202	VRN2HUPX6102	VRN2HUSX6102	VRN2HUPXB202	VRN2HUSXB202	VRN2HUPXB102	VRN2HUSXB102		
				50	VRN2H1PX6202	VRN2H1SX6202	VRN2H1PX6102	VRN2H1SX6102	VRN2H1PB202	VRN2H1SB202	VRN2H1PB102	VRN2H1SB102		
	7	58		55	VRN2H2PX6202	VRN2H2SX6202	VRN2H2PX6102	VRN2H2SX6102	VRN2H2PB202	VRN2H2SB202	VRN2H2PB102	VRN2H2SB102		
				60	VRN2H3PX6202	VRN2H3SX6202	VRN2H3PX6102	VRN2H3SX6102	VRN2H3PB202	VRN2H3SB202	VRN2H3PB102	VRN2H3SB102		
				65	VRN2H4PX6202	VRN2H4SX6202	VRN2H4PX6102	VRN2H4SX6102	VRN2H4PB202	VRN2H4SB202	VRN2H4PB102	VRN2H4SB102		
				70	VRN2H5PX6202	VRN2H5SX6202	VRN2H5PX6102	VRN2H5SX6102	VRN2H5PB202	VRN2H5SB202	VRN2H5PB102	VRN2H5SB102		
				75	VRN2H6PX6202	VRN2H6SX6202	VRN2H6PX6102	VRN2H6SX6102	VRN2H6PB202	VRN2H6SB202	VRN2H6PB102	VRN2H6SB102		
				80	VRN2H7PX6202	VRN2H7SX6202	VRN2H7PX6102	VRN2H7SX6102	VRN2H7PB202	VRN2H7SB202	VRN2H7PB102	VRN2H7SB102		
11	58	85	VRN2H8PX6202	VRN2H8SX6202	VRN2H8PX6102	VRN2H8SX6102	VRN2H8PB202	VRN2H8SB202	VRN2H8PB102	VRN2H8SB102				
		95*	VRN2H9PX6202	VRN2H9SX6202	VRN2H9PX6102	VRN2H9SX6102	VRN2H9PB202	VRN2H9SB202	VRN2H9PB102	VRN2H9SB102				

* Full port ball

** Differential pressure regulator operating range, ±5%

PRODUCT SELECTION - VALVES

Pressure Independent Control Valves, NPT 1½"-3" NEMA 3R

Actuator Features		Fail Safe			
Actuator O.S Number		MS8105A1030		MS8105A1130	
Power Supply	Voltage	24 VAC/DC		24 VAC/DC	
	Frequency	50 / 60 Hz		50 / 60 Hz	
	Power	6 VA		6 VA	
Actuator Torque (lb.-in.)		44		44	
	Control (0)2-10Vdc 4-20 mA (w/ external 500 Ohm Resistor)				
	Floating				
	Two-Position SPDT				
	Two-Position SPST	•		•	
Actuator Stroke (degrees)		95° ± 3°		95° ± 3°	
Timing (drive/spring return, seconds)		45 / 25		45 / 25	
Aux Switch		0		1	
Feedback 2-10 Vdc Built In					
Fail Safe Action		Closed	Open	Closed	Open
Normal Position (no signal)		Closed	Open	Closed	Open
Valve Features	Trim	Nickel-Plated Brass	Stainless Steel	Nickel-Plated Brass	Stainless Steel

Valve Size (inches)	Differential Pressure** (psid)		Close-off Pressure (psid)	Max. GPM	Short Order Codes									
	Min.	Max.												
1-1/2"	4	50	100	10	VRN2EMPX7202	VRN2EMSX7202	VRN2EMPX7102	VRN2EMSX7102	VRN2EMPXA202	VRN2EMSXA202	VRN2EMPXA102	VRN2EMSXA102		
				15	VRN2ENPX7202	VRN2ENSX7202	VRN2ENPX7102	VRN2ENSX7102	VRN2ENPXA202	VRN2ENSXA202	VRN2ENPXA102	VRN2ENSXA102		
				20	VRN2EPPX7202	VRN2EPSX7202	VRN2EPPX7102	VRN2EPSX7102	VRN2EPPXA202	VRN2EPSXA202	VRN2EPPXA102	VRN2EPSXA102		
				25	VRN2EQPX7202	VRN2EQSX7202	VRN2EQPX7102	VRN2EQSX7102	VRN2EQPXA202	VRN2EQSXA202	VRN2EQPXA102	VRN2EQSXA102		
				30	VRN2ERPX7202	VRN2ERSX7202	VRN2ERPX7102	VRN2ERSX7102	VRN2ERPXA202	VRN2ERSXA202	VRN2ERPXA102	VRN2ERSXA102		
				35	VRN2ESPX7202	VRN2ESSX7202	VRN2ESPX7102	VRN2ESSX7102	VRN2ESPXA202	VRN2ESSXA202	VRN2ESPXA102	VRN2ESSXA102		
	6	58		40	VRN2ETPX7202	VRN2ETSX7202	VRN2ETPX7102	VRN2ETSX7102	VRN2ETPXA202	VRN2ETSXA202	VRN2ETPXA102	VRN2ETSXA102		
				45	VRN2EUPX7202	VRN2EUSX7202	VRN2EUPX7102	VRN2EUSX7102	VRN2EUPXA202	VRN2EUSXA202	VRN2EUPXA102	VRN2EUSXA102		
				50	VRN2E1PX7202	VRN2E1SX7202	VRN2E1PX7102	VRN2E1SX7102	VRN2E1PXA202	VRN2E1SXA202	VRN2E1PXA102	VRN2E1SXA102		
				55	VRN2E2PX7202	VRN2E2SX7202	VRN2E2PX7102	VRN2E2SX7102	VRN2E2PXA202	VRN2E2SXA202	VRN2E2PXA102	VRN2E2SXA102		
				60	VRN2E3PX7202	VRN2E3SX7202	VRN2E3PX7102	VRN2E3SX7102	VRN2E3PXA202	VRN2E3SXA202	VRN2E3PXA102	VRN2E3SXA102		
				65	VRN2E4PX7202	VRN2E4SX7202	VRN2E4PX7102	VRN2E4SX7102	VRN2E4PXA202	VRN2E4SXA202	VRN2E4PXA102	VRN2E4SXA102		
	7	58		70	VRN2E5PX7202	VRN2E5SX7202	VRN2E5PX7102	VRN2E5SX7102	VRN2E5PXA202	VRN2E5SXA202	VRN2E5PXA102	VRN2E5SXA102		
				75	VRN2E6PX7202	VRN2E6SX7202	VRN2E6PX7102	VRN2E6SX7102	VRN2E6PXA202	VRN2E6SXA202	VRN2E6PXA102	VRN2E6SXA102		
				80	VRN2E7PX7202	VRN2E7SX7202	VRN2E7PX7102	VRN2E7SX7102	VRN2E7PXA202	VRN2E7SXA202	VRN2E7PXA102	VRN2E7SXA102		
				85	VRN2E8PX7202	VRN2E8SX7202	VRN2E8PX7102	VRN2E8SX7102	VRN2E8PXA202	VRN2E8SXA202	VRN2E8PXA102	VRN2E8SXA102		
2"	58	100	95	VRN2E9PX7202	VRN2E9SX7202	VRN2E9PX7102	VRN2E9SX7102	VRN2E9PXA202	VRN2E9SXA202	VRN2E9PXA102	VRN2E9SXA102			
			25	VRN2FQPX7202	VRN2FQSX7202	VRN2FQPX7102	VRN2FQSX7102	VRN2FQPXA202	VRN2FQSXA202	VRN2FQPXA102	VRN2FQSXA102			
			30	VRN2FRPX7202	VRN2FRSX7202	VRN2FRPX7102	VRN2FRSX7102	VRN2FRPXA202	VRN2FRSXA202	VRN2FRPXA102	VRN2FRSXA102			
			35	VRN2FSPX7202	VRN2FSSX7202	VRN2FSPX7102	VRN2FSSX7102	VRN2FSPXA202	VRN2FSSXA202	VRN2FSPXA102	VRN2FSSXA102			
			40	VRN2FTPX7202	VRN2FTSX7202	VRN2FTPX7102	VRN2FTSX7102	VRN2FTPXA202	VRN2FTSXA202	VRN2FTPXA102	VRN2FTSXA102			
			45	VRN2FUPX7202	VRN2FUSX7202	VRN2FUPX7102	VRN2FUSX7102	VRN2FUPXA202	VRN2FUSXA202	VRN2FUPXA102	VRN2FUSXA102			
			50	VRN2F1PX7202	VRN2F1SX7202	VRN2F1PX7102	VRN2F1SX7102	VRN2F1PXA202	VRN2F1SXA202	VRN2F1PXA102	VRN2F1SXA102			
			55	VRN2F2PX7202	VRN2F2SX7202	VRN2F2PX7102	VRN2F2SX7102	VRN2F2PXA202	VRN2F2SXA202	VRN2F2PXA102	VRN2F2SXA102			
			60	VRN2F3PX7202	VRN2F3SX7202	VRN2F3PX7102	VRN2F3SX7102	VRN2F3PXA202	VRN2F3SXA202	VRN2F3PXA102	VRN2F3SXA102			
			65	VRN2F4PX7202	VRN2F4SX7202	VRN2F4PX7102	VRN2F4SX7102	VRN2F4PXA202	VRN2F4SXA202	VRN2F4PXA102	VRN2F4SXA102			
2-1/2"	58	100	70	VRN2F5PX7202	VRN2F5SX7202	VRN2F5PX7102	VRN2F5SX7102	VRN2F5PXA202	VRN2F5SXA202	VRN2F5PXA102	VRN2F5SXA102			
			75	VRN2F6PX7202	VRN2F6SX7202	VRN2F6PX7102	VRN2F6SX7102	VRN2F6PXA202	VRN2F6SXA202	VRN2F6PXA102	VRN2F6SXA102			
			25	VRN2GQPX7202	VRN2GQSX7202	VRN2GQPX7102	VRN2GQSX7102	VRN2GQPXA202	VRN2GQSXA202	VRN2GQPXA102	VRN2GQSXA102			
			30	VRN2GRPX7202	VRN2GRSX7202	VRN2GRPX7102	VRN2GRSX7102	VRN2GRPXA202	VRN2GRSXA202	VRN2GRPXA102	VRN2GRSXA102			
			35	VRN2GSPX7202	VRN2GSSX7202	VRN2GSPX7102	VRN2GSSX7102	VRN2GSPXA202	VRN2GSSXA202	VRN2GSPXA102	VRN2GSSXA102			
			40	VRN2GTPX7202	VRN2GTSX7202	VRN2GTPX7102	VRN2GTSX7102	VRN2GTPXA202	VRN2GTSXA202	VRN2GTPXA102	VRN2GTSXA102			
			45	VRN2GUPX7202	VRN2GUSX7202	VRN2GUPX7102	VRN2GUSX7102	VRN2GUPXA202	VRN2GUSXA202	VRN2GUPXA102	VRN2GUSXA102			
			50	VRN2G1PX7202	VRN2G1SX7202	VRN2G1PX7102	VRN2G1SX7102	VRN2G1PXA202	VRN2G1SXA202	VRN2G1PXA102	VRN2G1SXA102			
			55	VRN2G2PX7202	VRN2G2SX7202	VRN2G2PX7102	VRN2G2SX7102	VRN2G2PXA202	VRN2G2SXA202	VRN2G2PXA102	VRN2G2SXA102			
			60	VRN2G3PX7202	VRN2G3SX7202	VRN2G3PX7102	VRN2G3SX7102	VRN2G3PXA202	VRN2G3SXA202	VRN2G3PXA102	VRN2G3SXA102			
			65	VRN2G4PX7202	VRN2G4SX7202	VRN2G4PX7102	VRN2G4SX7102	VRN2G4PXA202	VRN2G4SXA202	VRN2G4PXA102	VRN2G4SXA102			
			70	VRN2G5PX7202	VRN2G5SX7202	VRN2G5PX7102	VRN2G5SX7102	VRN2G5PXA202	VRN2G5SXA202	VRN2G5PXA102	VRN2G5SXA102			
			75	VRN2G6PX7202	VRN2G6SX7202	VRN2G6PX7102	VRN2G6SX7102	VRN2G6PXA202	VRN2G6SXA202	VRN2G6PXA102	VRN2G6SXA102			
			80	VRN2G7PX7202	VRN2G7SX7202	VRN2G7PX7102	VRN2G7SX7102	VRN2G7PXA202	VRN2G7SXA202	VRN2G7PXA102	VRN2G7SXA102			
3"	58	100	85	VRN2G8PX7202	VRN2G8SX7202	VRN2G8PX7102	VRN2G8SX7102	VRN2G8PXA202	VRN2G8SXA202	VRN2G8PXA102	VRN2G8SXA102			
			95*	VRN2G9PX7202	VRN2G9SX7202	VRN2G9PX7102	VRN2G9SX7102	VRN2G9PXA202	VRN2G9SXA202	VRN2G9PXA102	VRN2G9SXA102			
			25	VRN2HQPX7202	VRN2HQSX7202	VRN2HQPX7102	VRN2HQSX7102	VRN2HQPXA202	VRN2HQSXA202	VRN2HQPXA102	VRN2HQSXA102			
			30	VRN2HRPX7202	VRN2HRSX7202	VRN2HRPX7102	VRN2HRSX7102	VRN2HRPXA202	VRN2HRSXA202	VRN2HRPXA102	VRN2HRSXA102			
			35	VRN2HSPX7202	VRN2HSSX7202	VRN2HSPX7102	VRN2HSSX7102	VRN2HSPXA202	VRN2HSSXA202	VRN2HSPXA102	VRN2HSSXA102			
			40	VRN2HTPX7202	VRN2HTSX7202	VRN2HTPX7102	VRN2HTSX7102	VRN2HTPXA202	VRN2HTSXA202	VRN2HTPXA102	VRN2HTSXA102			
			45	VRN2HUPX7202	VRN2HUSX7202	VRN2HUPX7102	VRN2HUSX7102	VRN2HUPXA202	VRN2HUSXA202	VRN2HUPXA102	VRN2HUSXA102			
			50	VRN2H1PX7202	VRN2H1SX7202	VRN2H1PX7102	VRN2H1SX7102	VRN2H1PXA202	VRN2H1SXA202	VRN2H1PXA102	VRN2H1SXA102			
			55	VRN2H2PX7202	VRN2H2SX7202	VRN2H2PX7102	VRN2H2SX7102	VRN2H2PXA202	VRN2H2SXA202	VRN2H2PXA102	VRN2H2SXA102			
			60	VRN2H3PX7202	VRN2H3SX7202	VRN2H3PX7102	VRN2H3SX7102	VRN2H3PXA202	VRN2H3SXA202	VRN2H3PXA102	VRN2H3SXA102			
			65	VRN2H4PX7202	VRN2H4SX7202	VRN2H4PX7102	VRN2H4SX7102	VRN2H4PXA202	VRN2H4SXA202	VRN2H4PXA102	VRN2H4SXA102			
			70	VRN2H5PX7202	VRN2H5SX7202	VRN2H5PX7102	VRN2H5SX7102	VRN2H5PXA202	VRN2H5SXA202	VRN2H5PXA102	VRN2H5SXA102			
11	58	100	75	VRN2H6PX7202	VRN2H6SX7202	VRN2H6PX7102	VRN2H6SX7102	VRN2H6PXA202	VRN2H6SXA202	VRN2H6PXA102	VRN2H6SXA102			
			80	VRN2H7PX7202	VRN2H7SX7202	VRN2H7PX7102	VRN2H7SX7102	VRN2H7PXA202	VRN2H7SXA202	VRN2H7PXA102	VRN2H7SXA102			
			85	VRN2H8PX7202	VRN2H8SX7202	VRN2H8PX7102	VRN2H8SX7102	VRN2H8PXA202	VRN2H8SXA202	VRN2H8PXA102	VRN2H8SXA102			
			95*	VRN2H9PX7202	VRN2H9SX7202	VRN2H9PX7102	VRN2H9SX7102	VRN2H9PXA202	VRN2H9SXA202	VRN2H9PXA102	VRN2H9SXA102			

* Full port ball

** Differential pressure regulator operating range, ±5%

PRODUCT SELECTION - VALVES

Pressure Independent Control Valves, NPT 1½"-3" NEMA 3R

Actuator Features		Fail Safe							
Actuator O.S Number		MS4105A1030				MS4105A1130			
Power Supply	Voltage	100-250 VAC				100-250 VAC			
	Frequency	50 / 60 Hz				50 / 60 Hz			
	Power (lb.-in.)	6 VA				6 VA			
Actuator Torque	(lb.-in.)	44				44			
	(O)2-10Vdc								
Control	4-20 mA (w/ external 500 Ohm Resistor)								
	Floating								
	Two-Position SPDT								
	Two-Position SPST	•				•			
Actuator Stroke	(degrees)	95° ± 3°				95° ± 3°			
	(drive/spring return, seconds)	45 / 25				45 / 25			
Timing		0				1			
Aux Switch									
Feedback	2-10 Vdc Built In								
Fail Safe Action		Closed		Open		Closed		Open	
	(no signal)	Closed		Open		Closed		Open	
Normal Position		Closed		Open		Closed		Open	
Valve Features	Trim	Nickel-Plated Brass	Stainless Steel	Nickel-Plated Brass	Stainless Steel	Nickel-Plated Brass	Stainless Steel	Nickel-Plated Brass	Stainless Steel

Valve Size (inches)	Differential Pressure** (psid)		Close-off Pressure (psid)	Max. GPM	Short Order Codes									
	Min.	Max.			100	58	100	58	100	58	100	58	100	58
1-1/2"	4	50	100	58	10	VRN2EMPX8202	VRN2EMSX8202	VRN2EMPX8102	VRN2EMSX8102	VRN2EMPX9202	VRN2EMSX9202	VRN2EMPX9102	VRN2EMSX9102	
					15	VRN2ENPX8202	VRN2ENSX8202	VRN2ENPX8102	VRN2ENSX8102	VRN2ENPX9202	VRN2ENSX9202	VRN2ENPX9102	VRN2ENSX9102	
					20	VRN2EPPX8202	VRN2EPSX8202	VRN2EPPX8102	VRN2EPSX8102	VRN2EPPX9202	VRN2EPSX9202	VRN2EPPX9102	VRN2EPSX9102	
					25	VRN2EQPX8202	VRN2EQSX8202	VRN2EQPX8102	VRN2EQSX8102	VRN2EQPX9202	VRN2EQSX9202	VRN2EQPX9102	VRN2EQSX9102	
					30	VRN2ERPX8202	VRN2ERSX8202	VRN2ERPX8102	VRN2ERSX8102	VRN2ERPX9202	VRN2ERSX9202	VRN2ERPX9102	VRN2ERSX9102	
					35	VRN2ESPX8202	VRN2ESSX8202	VRN2ESPX8102	VRN2ESSX8102	VRN2ESPX9202	VRN2ESSX9202	VRN2ESPX9102	VRN2ESSX9102	
	6	58			40	VRN2ETPX8202	VRN2ETSX8202	VRN2ETPX8102	VRN2ETSX8102	VRN2ETPX9202	VRN2ETSX9202	VRN2ETPX9102	VRN2ETSX9102	
					45	VRN2EUPX8202	VRN2EUSX8202	VRN2EUPX8102	VRN2EUSX8102	VRN2EUPX9202	VRN2EUSX9202	VRN2EUPX9102	VRN2EUSX9102	
					50	VRN2E1PX8202	VRN2E1SX8202	VRN2E1PX8102	VRN2E1SX8102	VRN2E1PX9202	VRN2E1SX9202	VRN2E1PX9102	VRN2E1SX9102	
					55	VRN2E2PX8202	VRN2E2SX8202	VRN2E2PX8102	VRN2E2SX8102	VRN2E2PX9202	VRN2E2SX9202	VRN2E2PX9102	VRN2E2SX9102	
					60	VRN2E3PX8202	VRN2E3SX8202	VRN2E3PX8102	VRN2E3SX8102	VRN2E3PX9202	VRN2E3SX9202	VRN2E3PX9102	VRN2E3SX9102	
					65	VRN2E4PX8202	VRN2E4SX8202	VRN2E4PX8102	VRN2E4SX8102	VRN2E4PX9202	VRN2E4SX9202	VRN2E4PX9102	VRN2E4SX9102	
2"	4	58	100	58	70	VRN2E5PX8202	VRN2E5SX8202	VRN2E5PX8102	VRN2E5SX8102	VRN2E5PX9202	VRN2E5SX9202	VRN2E5PX9102	VRN2E5SX9102	
					75	VRN2E6PX8202	VRN2E6SX8202	VRN2E6PX8102	VRN2E6SX8102	VRN2E6PX9202	VRN2E6SX9202	VRN2E6PX9102	VRN2E6SX9102	
					80	VRN2E7PX8202	VRN2E7SX8202	VRN2E7PX8102	VRN2E7SX8102	VRN2E7PX9202	VRN2E7SX9202	VRN2E7PX9102	VRN2E7SX9102	
					85	VRN2E8PX8202	VRN2E8SX8202	VRN2E8PX8102	VRN2E8SX8102	VRN2E8PX9202	VRN2E8SX9202	VRN2E8PX9102	VRN2E8SX9102	
					95	VRN2E9PX8202	VRN2E9SX8202	VRN2E9PX8102	VRN2E9SX8102	VRN2E9PX9202	VRN2E9SX9202	VRN2E9PX9102	VRN2E9SX9102	
					25	VRN2FQPX8202	VRN2FQSX8202	VRN2FQPX8102	VRN2FQSX8102	VRN2FQPX9202	VRN2FQSX9202	VRN2FQPX9102	VRN2FQSX9102	
	6	58			30	VRN2FRPX8202	VRN2FRSX8202	VRN2FRPX8102	VRN2FRSX8102	VRN2FRPX9202	VRN2FRSX9202	VRN2FRPX9102	VRN2FRSX9102	
					35	VRN2FSPX8202	VRN2FSSX8202	VRN2FSPX8102	VRN2FSSX8102	VRN2FSPX9202	VRN2FSSX9202	VRN2FSPX9102	VRN2FSSX9102	
					40	VRN2FTPX8202	VRN2FTSX8202	VRN2FTPX8102	VRN2FTSX8102	VRN2FTPX9202	VRN2FTSX9202	VRN2FTPX9102	VRN2FTSX9102	
					45	VRN2FUPX8202	VRN2FUSX8202	VRN2FUPX8102	VRN2FUSX8102	VRN2FUPX9202	VRN2FUSX9202	VRN2FUPX9102	VRN2FUSX9102	
					50	VRN2F1PX8202	VRN2F1SX8202	VRN2F1PX8102	VRN2F1SX8102	VRN2F1PX9202	VRN2F1SX9202	VRN2F1PX9102	VRN2F1SX9102	
					55	VRN2F2PX8202	VRN2F2SX8202	VRN2F2PX8102	VRN2F2SX8102	VRN2F2PX9202	VRN2F2SX9202	VRN2F2PX9102	VRN2F2SX9102	
2-1/2"	4	58	100	58	60	VRN2F3PX8202	VRN2F3SX8202	VRN2F3PX8102	VRN2F3SX8102	VRN2F3PX9202	VRN2F3SX9202	VRN2F3PX9102	VRN2F3SX9102	
					65	VRN2F4PX8202	VRN2F4SX8202	VRN2F4PX8102	VRN2F4SX8102	VRN2F4PX9202	VRN2F4SX9202	VRN2F4PX9102	VRN2F4SX9102	
					70	VRN2F5PX8202	VRN2F5SX8202	VRN2F5PX8102	VRN2F5SX8102	VRN2F5PX9202	VRN2F5SX9202	VRN2F5PX9102	VRN2F5SX9102	
					75	VRN2F6PX8202	VRN2F6SX8202	VRN2F6PX8102	VRN2F6SX8102	VRN2F6PX9202	VRN2F6SX9202	VRN2F6PX9102	VRN2F6SX9102	
					25	VRN2GQPX8202	VRN2GQSX8202	VRN2GQPX8102	VRN2GQSX8102	VRN2GQPX9202	VRN2GQSX9202	VRN2GQPX9102	VRN2GQSX9102	
					30	VRN2GRPX8202	VRN2GRSX8202	VRN2GRPX8102	VRN2GRSX8102	VRN2GRPX9202	VRN2GRSX9202	VRN2GRPX9102	VRN2GRSX9102	
	6	58			35	VRN2GSPX8202	VRN2GSSX8202	VRN2GSPX8102	VRN2GSSX8102	VRN2GSPX9202	VRN2GSSX9202	VRN2GSPX9102	VRN2GSSX9102	
					40	VRN2GTPX8202	VRN2GTSX8202	VRN2GTPX8102	VRN2GTSX8102	VRN2GTPX9202	VRN2GTSX9202	VRN2GTPX9102	VRN2GTSX9102	
					45	VRN2GUPX8202	VRN2GUSX8202	VRN2GUPX8102	VRN2GUSX8102	VRN2GUPX9202	VRN2GUSX9202	VRN2GUPX9102	VRN2GUSX9102	
					50	VRN2G1PX8202	VRN2G1SX8202	VRN2G1PX8102	VRN2G1SX8102	VRN2G1PX9202	VRN2G1SX9202	VRN2G1PX9102	VRN2G1SX9102	
					55	VRN2G2PX8202	VRN2G2SX8202	VRN2G2PX8102	VRN2G2SX8102	VRN2G2PX9202	VRN2G2SX9202	VRN2G2PX9102	VRN2G2SX9102	
					60	VRN2G3PX8202	VRN2G3SX8202	VRN2G3PX8102	VRN2G3SX8102	VRN2G3PX9202	VRN2G3SX9202	VRN2G3PX9102	VRN2G3SX9102	
3"	4	58	100	58	65	VRN2G4PX8202	VRN2G4SX8202	VRN2G4PX8102	VRN2G4SX8102	VRN2G4PX9202	VRN2G4SX9202	VRN2G4PX9102	VRN2G4SX9102	
					70	VRN2G5PX8202	VRN2G5SX8202	VRN2G5PX8102	VRN2G5SX8102	VRN2G5PX9202	VRN2G5SX9202	VRN2G5PX9102	VRN2G5SX9102	
					75	VRN2G6PX8202	VRN2G6SX8202	VRN2G6PX8102	VRN2G6SX8102	VRN2G6PX9202	VRN2G6SX9202	VRN2G6PX9102	VRN2G6SX9102	
					80	VRN2G7PX8202	VRN2G7SX8202	VRN2G7PX8102	VRN2G7SX8102	VRN2G7PX9202	VRN2G7SX9202	VRN2G7PX9102	VRN2G7SX9102	
					85	VRN2G8PX8202	VRN2G8SX8202	VRN2G8PX8102	VRN2G8SX8102	VRN2G8PX9202	VRN2G8SX9202	VRN2G8PX9102	VRN2G8SX9102	
					95*	VRN2G9PX8202	VRN2G9SX8202	VRN2G9PX8102	VRN2G9SX8102	VRN2G9PX9202	VRN2G9SX9202	VRN2G9PX9102	VRN2G9SX9102	
	6	58			25	VRN2HQPX8202	VRN2HQSX8202	VRN2HQPX8102	VRN2HQSX8102	VRN2HQPX9202	VRN2HQSX9202	VRN2HQPX9102	VRN2HQSX9102	
					30	VRN2HRPX8202	VRN2HRSX8202	VRN2HRPX8102	VRN2HRSX8102	VRN2HRPX9202	VRN2HRSX9202	VRN2HRPX9102	VRN2HRSX9102	
					35	VRN2HSPX8202	VRN2HSSX8202	VRN2HSPX8102	VRN2HSSX8102	VRN2HSPX9202	VRN2HSSX9202	VRN2HSPX9102	VRN2HSSX9102	
					40	VRN2HTPX8202	VRN2HTSX8202	VRN2HTPX8102	VRN2HTSX8102	VRN2HTPX9202	VRN2HTSX9202	VRN2HTPX9102	VRN2HTSX9102	
					45	VRN2HUPX8202	VRN2HUSX8202	VRN2HUPX8102	VRN2HUSX8102	VRN2HUPX9202	VRN2HUSX9202	VRN2HUPX9102	VRN2HUSX9102	
					50	VRN2H1PX8202	VRN2H1SX8202	VRN2H1PX8102	VRN2H1SX8102	VRN2H1PX9202	VRN2H1SX9202	VRN2H1PX9102	VRN2H1SX9102	
7	58	55	VRN2H2PX8202	VRN2H2SX8202	VRN2H2PX8102	VRN2H2SX8102	VRN2H2PX9202	VRN2H2SX9202	VRN2H2PX9102	VRN2H2SX9102				
		60	VRN2H3PX8202	VRN2H3SX8202	VRN2H3PX8102	VRN2H3SX8102	VRN2H3PX9202	VRN2H3SX9202	VRN2H3PX9102	VRN2H3SX9102				
		65	VRN2H4PX8202	VRN2H4SX8202	VRN2H4PX8102	VRN2H4SX8102	VRN2H4PX9202	VRN2H4SX9202	VRN2H4PX9102	VRN2H4SX9102				
		70	VRN2H5PX8202	VRN2H5SX8202	VRN2H5PX8102	VRN2H5SX8102	VRN2H5PX9202	VRN2H5SX9202	VRN2H5PX9102	VRN2H5SX9102				
		75	VRN2H6PX8202	VRN2H6SX8202	VRN2H6PX8102	VRN2H6SX8102	VRN2H6PX9202	VRN2H6SX9202	VRN2H6PX9102	VRN2H6SX9102				
		80	VRN2H7PX8202	VRN2H7SX8202	VRN2H7PX8102	VRN2H7SX8102	VRN2H7PX9202	VRN2H7SX9202	VRN2H7PX9102	VRN2H7SX9102				
11	58	85	VRN2H8PX8202	VRN2H8SX8202	VRN2H8PX8102	VRN2H8SX8102	VRN2H8PX9202	VRN2H8SX9202	VRN2H8PX9102	VRN2H8SX9102				
		95*	VRN2H9PX8202	VRN2H9SX8202	VRN2H9PX8102	VRN2H9SX8102	VRN2H9PX9202	VRN2H9SX9202	VRN2H9PX9102	VRN2H9SX9102				

* Full port ball

** Differential pressure regulator operating range, ±5%

PRODUCT SELECTION - VALVES

Pressure Independent Control Valves, Flanged 2½"-6"

COMMON FEATURES

- Multi-sized bodies from 2-1/2 to 6 inch pipes with wafer flanged connections.
- Combination ANSI/ASME Class 150/300 flange compatibility.
- Controls hot or chilled water with up to 50% glycol, closed loop HVAC systems only, not for use with steam.
- Regulated flow rates available from 40.7 to 468 gpm.
- Stainless steel pressure regulator maintains constant pressure drop across valve seat.
- Positive pressure, rolling diaphragm regulator design provides flow control accuracy of ±5% over specified pressure range.
- Equal percentage flow characteristic using multi turn, nonrising, characterized plug.
- High close-off rating.
- 50 discrete, selectable flow rates available per valve size.
- Stainless steel trim.
- Six-turn actuator with floating or modulating inputs available with stay-in-place or electronic fail safe action.
- Fail safe actuators field-configurable for normally open or normally closed power failure return position.
- Two Test Ports for venting or pressure gauge attachment.
- Twelve month warranty

**Flanged Pressure Independent Control Valves**

Actuator Features		Non Fail Safe	Fail Safe
Power Supply	Voltage	24 Vac/30 Vdc	24 Vac/30 Vdc
	Frequency	50 / 60 Hz	50 / 60 Hz
	Power	20 VA	20 VA
Enclosure	(ingress protection)	IP44	IP44
Control	2-10 Vdc	•	•
	4-20 mA (w/external 500 Ohm Resistor)	•	•
	Pulse-width Modulating	•	•
	Floating	•	•
	Two-Position SPDT	•	•
	(field configurable)	Stay in Place	Open/Closed
Fail Safe Action	(field configurable)	Open/Closed	Open/Closed
Normal Position (no signal)	(degrees)	6 x 360°	6 x 360°
Actuator Stroke	(seconds, 60 Hz)	150 (maximum)	150 (maximum)
Timing	4-20 mA (2-10 Vdc) Built in	•	•
Feedback			
		Trim	Stainless Steel
		Body	Cast Iron
		Pressure Ratings	ANSI 150/300
		Test Ports	Two - 1/4" ISO

Valve Features		Flow, gpm*			Differential Pressure (psid)			Valve O.S. Number	
Valve Size	Flow, gpm*		Differential Pressure (psid)			Valve O.S. Number			
	Min.	Max.	Min.*	Max.*	Close-off				
2-1/2 and 3 in. [DN65-DN80]	40.7	113	4.5	87	100	VRW2JV4SMB	VRW2JV4SMD		
	56.3	157	5.1			VRW2JW4SMB	VRW2JW4SMD		
3 and 4 in. [DN80-DN100]	55.4	149	4.5			VRW2KV4SMB	VRW2KV4SMD		
	75	225	5.1			VRW2KW4SMB	VRW2KW4SMD		
5 and 6 in. [DN125-DN150]	103	369	4.5			VRW2LV4SMB	VRW2LV4SMD		
	113	468	5.1			VRW2LW4SMB	VRW2LW4SMD		

* Differential pressure regulator operating range, ±5%

Specification Take-Off Service

The Honeywell Take-Off Service Can Create Product Schedules From:

- Product specifications
- Existing schedules
- Drawings
- Obsolete or competitive schedules

Products Supported by the Take-Off Service

- Commercial Water and Steam Valves
- Valve Actuators (Electric or Pneumatic)
- Commercial Control Dampers
- Custom Dampers
- Damper Actuators (Electric or Pneumatic)
- Variable Frequency Drives

Our goal is to help provide you with the best possible solution for each job.



Participate in the Specification Take-Off Service

1. Submit your information by email to takeoff.service@honeywell.com
2. Include your desired turn-around time.
3. Take-Off Service staff will send you a confirmation that your email was received. We always attempt to have your request finished as soon as possible. Please note, however, that the quality of the submitted information largely determines the turn-around time. We will work closely with you to ensure that we have enough information to move forward as quickly as possible.
4. A final product schedule document will be returned to you following take-off completion.

Included in the Final Take-Off Document

We send a comprehensive spreadsheet, which contains:

- A complete product schedule
- Base price
- Directions on how to order Honeywell products
- Links to product submittals
- Quote identification number

Questions?

If you have questions about the Honeywell Take-Off Service, please email us at: takeoff.service@honeywell.com

Configure, Price, Quote: CPQ Select

Configure, price, and quote Honeywell Field Devices from a single, easy-to-use tool.

Easy to Use CPQ Features

- Quickly find and select the right product for your application
- Compare specifications across different products
- View and download technical literature
- Configure and tag valve assemblies
- Create quotations and save automatically to the cloud for future projects
- Export simple quotations or include full submittal documentation

Honeywell Commercial Products Include

- Actuators – Direct Coupled Actuators (DCA) and Foot Mounted
- Control Dampers
- Control Valves & Actuators
- Economizer Controllers
- Pneumatics
- Sensors
- Standalone Controllers
- Submeters
- Thermostats
- Variable Frequency Drives (VFDs)

Product Selection and Quoting Made Easy



Configure Price Quote

WWW.CPQ.HONEYWELL.COM

Contact Information and Websites

Main Customer Web Site

customer.honeywell.com

Commercial Components Technical Hotline

888-516-9347

BuildingsProductSupport@Honeywell.com

Literature Ordering

literature.honeywell.com

Honeywell Promotional Materials

honeywellpromotionalproducts.com/catalog/default.aspx

Field Devices Application and Selection Guide

#63-9271 at literature.honeywell.com

Configure, Price, Quote (CPQ)

www.cpq.honeywell.com

Specification Take-Off Service

takeoff.service@honeywell.com

Learn More

buildingcontrols.honeywell.com

Honeywell Building Technologies

1985 Douglas Drive North
Golden Valley, MN 55422-3992
www.honeywell.com

67-7258
February 2020
© 2020 Honeywell International Inc.

Honeywell