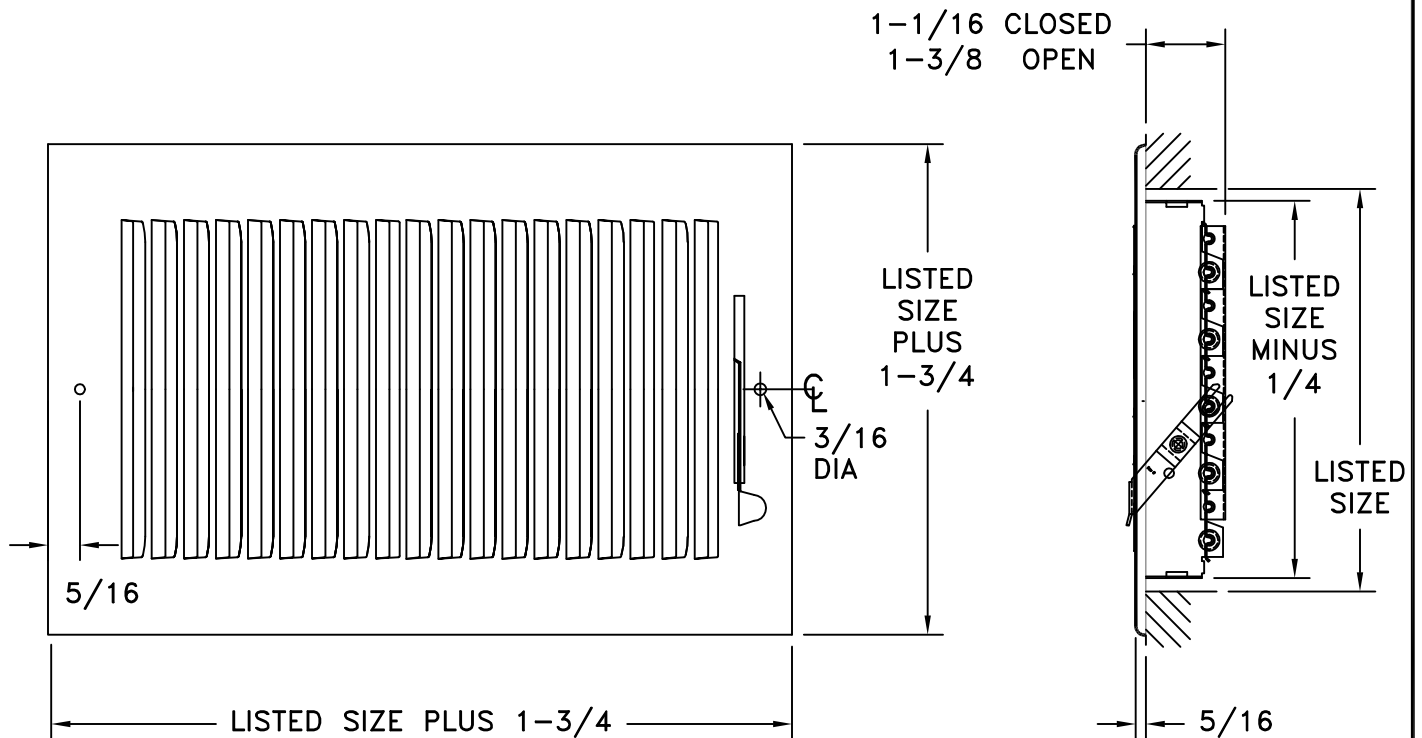
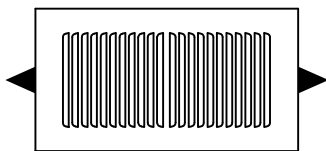


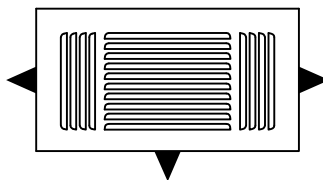
- ALL STEEL CONSTRUCTION
- INTEGRAL MULTI-SHUTTER DAMPER W/ METAL LEVER
- 1/2 INCH SPACED FINS SET AT 40 DEGREES
- SIZES OFFERED VARY BY FACE STYLE
- FOR HEATING OR COOLING
- FINISH: WHITE (W) ENAMEL



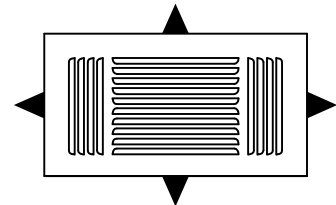
**681M**



**682M**



**683M**



**684M**

DAMPER AND DIMENSIONS ARE TYPICAL FOR ALL DEFLECTIONS

JOB NAME: _____	SUBMITTED BY: _____	DATE: 08/23/2013	SD-2440
LOCATION: _____		<b>680M</b>	
ARCHITECT: _____		Stamped Steel	
ENGINEER: _____		Ceiling Or Sidewall Register	
CONTRACTOR: _____			