

STANDARD CONSTRUCTION
FRAME:

ROLL FORMED ALUMINUM.
 EXTRUDED ALUMINUM FOR UNITS WITH EITHER WIDTH OR HEIGHT 18" OR LARGER.
 FRAME IS ASSEMBLED USING CORNER CLIPS TO ASSURE HAIRLINE MITERED CORNERS AND IS DESIGNED TO ACCOMMODATE 1" THICK DISPOSABLE OR WASHABLE FILTERS.

BLADES:

ROLL FORMED ALUMINUM.
 EACH BLADE IS PERMANENTLY FIXED AT 45° IN ALL ALUMINUM CORE FRAME.

OPTIONAL:

MODEL RAFGS-2/RAFFS-2: 2" THICK FILTER DEPTH (FILTER NOT INCLUDED)

FINISH:

SKY-WHITE (STANDARD)

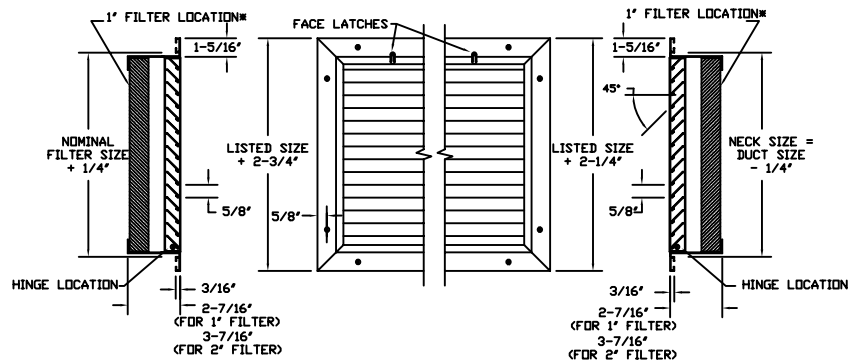
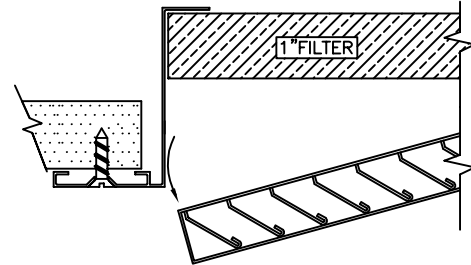
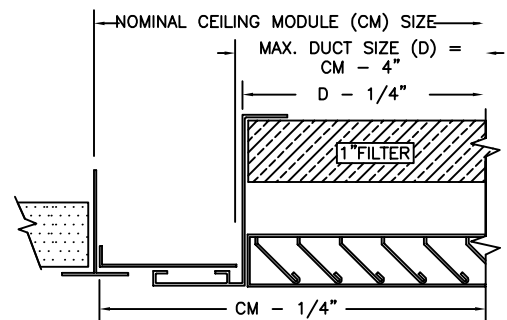
AXALTA SKY-WHITE 100% POLYESTER POWDER COATING GIVES AN ATTRACTIVE BRIGHT WHITE FINISH AND PROVIDES ADDITIONAL PROTECTION FROM AGING AND WEAR.

SIZES:

6" x 6" MIN
 48" x 48" MAX

MODEL RAF/FS (FOR NOM. FILTER SIZE)

MODEL RAF/GS (FOR NOM. DUCT SIZE)


STANDARD FASTENING DETAIL

BORDER OPTION TYPE TB (LAY-IN)


| |
|--|
| JOB NAME: |
| LOCATION: |
| ARCHITECT: |
| ENGINEER: |
| CONTRACTOR: |
| CONTACT GRILLE TECH INC. FOR ADDITIONAL INFORMATION OR WITH SPECIAL REQUIREMENTS. 5101 NW 36TH AVE MIAMI, FL 33142 PHONE: 305-537-0053 FAX: 305-537-0064 WEB: WWW.GRILLETECHINC.COM EMAIL: SALES@GRILLETECHINC.COM |

MODEL RAF
 ALUMINUM RETURN FILTER

| | | | | | | | |
|-------------|----|-------|---------|-----------|--------------|-------------|-----|
| DRAWN BY: | CV | DATE: | 9/01/99 | SCALE: | NOT TO SCALE | DRAWING NO. | RAF |
| CHECKED BY: | IG | DATE: | 5/22/17 | REVISION: | 17 | | |



RA, RAF/FS, RAF/GS, RAOB Returns

| Neck Vel. | FPM | 300 | 400 | 450 | 500 | 550 | 600 | 650 | 700 | 750 | 800 | 900 |
|-----------------|-----|------|------|------|------|------|------|------|------|------|------|------|
| Neck Size | Ps | .020 | .030 | .040 | .040 | .050 | .060 | .070 | .080 | .090 | .110 | .130 |
| 6 x 6" | CFM | 50 | 70 | 75 | 85 | 95 | 100 | 110 | 120 | 125 | 135 | 155 |
| Ak = .17 | NC | <20 | <20 | <20 | <20 | <20 | <20 | <20 | <20 | 20 | 20 | 25 |
| 8 x 6" | CFM | 65 | 90 | 100 | 110 | 120 | 130 | 145 | 155 | 165 | 175 | 200 |
| Ak = .22 | NC | <20 | <20 | <20 | <20 | <20 | <20 | <20 | <20 | 20 | 20 | 25 |
| 10 x 6" | CFM | 85 | 115 | 130 | 145 | 160 | 175 | 190 | 205 | 220 | 230 | 260 |
| Ak = .29 | NC | <20 | <20 | <20 | <20 | <20 | <20 | <20 | <20 | 20 | 20 | 30 |
| 10 x 8" | CFM | 120 | 160 | 180 | 200 | 220 | 240 | 260 | 280 | 300 | 320 | 360 |
| Ak = .40 | NC | <20 | <20 | <20 | <20 | <20 | <20 | <20 | <20 | 20 | 30 | 40 |
| 12 x 6" | CFM | 108 | 145 | 160 | 180 | 200 | 215 | 235 | 250 | 270 | 290 | 325 |
| Ak = .36 | NC | <20 | <20 | <20 | <20 | <20 | <20 | <20 | <20 | 20 | 20 | 30 |
| 12 x 8" | CFM | 145 | 190 | 215 | 240 | 265 | 290 | 315 | 335 | 360 | 385 | 430 |
| Ak = .48 | NC | <20 | <20 | <20 | <20 | <20 | <20 | <20 | <20 | 20 | 30 | 40 |
| 12 x 10" | CFM | 185 | 245 | 275 | 305 | 335 | 365 | 395 | 425 | 460 | 490 | 550 |
| Ak = .61 | NC | <20 | <20 | <20 | <20 | <20 | <20 | <20 | 20 | 30 | 30 | 40 |
| 12 x 12" | CFM | 220 | 295 | 335 | 370 | 405 | 445 | 480 | 520 | 555 | 590 | 665 |
| Ak = .74 | NC | <20 | <20 | <20 | <20 | <20 | <20 | 20 | 30 | 30 | 30 | 40 |
| 16 x 16" | CFM | 395 | 530 | 595 | 660 | 725 | 790 | 860 | 925 | 990 | 1055 | 1190 |
| Ak = 1.32 | NC | <20 | <20 | <20 | 20 | 30 | 30 | 30 | 30 | 35 | 35 | 50 |
| 18 x 6" | CFM | 165 | 220 | 250 | 275 | 300 | 330 | 360 | 385 | 415 | 440 | 495 |
| Ak = .550 | NC | <20 | <20 | <20 | <20 | <20 | <20 | <20 | 20 | 30 | 30 | 40 |
| 18 x 10" | CFM | 275 | 365 | 410 | 455 | 500 | 545 | 590 | 635 | 680 | 730 | 820 |
| Ak = .91 | NC | <20 | <20 | <20 | <20 | <20 | 20 | 30 | 30 | 30 | 30 | 40 |
| 18 x 12" | CFM | 335 | 450 | 505 | 560 | 615 | 670 | 730 | 785 | 840 | 895 | 1005 |
| Ak = 1.12 | NC | <20 | <20 | <20 | <20 | 20 | 30 | 30 | 30 | 30 | 35 | 40 |
| 18 x 18" | CFM | 520 | 690 | 780 | 865 | 950 | 1040 | 1125 | 1210 | 1295 | 1385 | 1550 |
| Ak = 1.73 | NC | <20 | <20 | <20 | 20 | 30 | 30 | 30 | 35 | 35 | 35 | 40 |
| 24 x 12" | CFM | 455 | 610 | 685 | 760 | 835 | 910 | 990 | 1065 | 1140 | 1215 | 1370 |
| Ak 1.52 | NC | <20 | <20 | <20 | 20 | 30 | 30 | 30 | 35 | 35 | 35 | 40 |
| 24 x 18" | CFM | 705 | 940 | 1055 | 1175 | 1290 | 1410 | 1525 | 1645 | 1765 | 1880 | 2115 |
| Ak 2.35 | NC | <20 | <20 | <20 | 30 | 30 | 30 | 35 | 35 | 40 | 40 | 50 |
| 24 x 24" | CFM | 945 | 1260 | 1420 | 1575 | 1735 | 1890 | 2045 | 2205 | 2365 | 2520 | 2835 |
| Ak = 3.15 | NC | <20 | <20 | 30 | 30 | 30 | 35 | 35 | 35 | 40 | 40 | 50 |
| 30 x 12" | CFM | 580 | 770 | 870 | 965 | 1060 | 1160 | 1255 | 1350 | 1445 | 1545 | 1735 |
| Ak = 1.93 | NC | <20 | <20 | <20 | 30 | 30 | 30 | 30 | 35 | 35 | 40 | 50 |
| 30 x 18" | CFM | 880 | 1170 | 1320 | 1465 | 1610 | 1760 | 1905 | 2050 | 2200 | 2345 | 2635 |
| Ak = 2.93 | NC | <20 | <20 | 30 | 30 | 30 | 30 | 35 | 40 | 40 | 40 | 50 |
| 30 x 24" | CFM | 1190 | 1590 | 1785 | 1985 | 2185 | 2380 | 2580 | 2780 | 2975 | 3175 | 3575 |
| Ak = 3.97 | NC | <20 | <20 | 30 | 30 | 30 | 35 | 40 | 40 | 40 | 50 | 50 |
| 30 x 30" | CFM | 1500 | 2000 | 2250 | 3500 | 2750 | 3000 | 3250 | 3500 | 3750 | 4000 | 4500 |
| Ak = 5.00 | NC | <20 | 30 | 30 | 30 | 35 | 35 | 40 | 40 | 50 | 50 | 50 |
| 36 x 18" | CFM | 1065 | 1420 | 1600 | 1775 | 1950 | 2130 | 2310 | 2485 | 2660 | 2840 | 3195 |
| Ak = 3.55 | NC | <20 | <20 | 30 | 30 | 30 | 35 | 35 | 40 | 40 | 40 | 50 |
| 36 x 24" | CFM | 1450 | 1935 | 2180 | 2420 | 2660 | 2905 | 3145 | 3390 | 3630 | 3870 | 4355 |
| Ak = 4.84 | NC | <20 | 30 | 30 | 30 | 35 | 35 | 40 | 40 | 50 | 50 | 50 |
| 36 x 30" | CFM | 1830 | 2440 | 2745 | 3050 | 3355 | 3660 | 3965 | 4270 | 4575 | 4880 | 5490 |
| Ak = 6.10 | NC | <20 | 30 | 30 | 35 | 35 | 40 | 40 | 50 | 50 | 50 | 50 |
| 48 x 24" | CFM | 1960 | 2610 | 2940 | 3265 | 3590 | 3920 | 4245 | 4570 | 4900 | 5225 | 5875 |
| Ak = 6.53 | NC | <20 | 30 | 30 | 35 | 35 | 40 | 40 | 50 | 50 | 50 | 50 |
| 48 x 26" | CFM | 2250 | 3000 | 3375 | 3750 | 4125 | 4500 | 4875 | 5250 | 5625 | 6000 | 6750 |
| Ak = 7.50 | NC | <20 | 30 | 30 | 35 | 40 | 40 | 50 | 50 | 50 | 50 | 50 |
| 48 x 30" | CFM | 2430 | 3240 | 3645 | 4050 | 4455 | 4860 | 5265 | 5670 | 6075 | 6480 | 7290 |
| Ak = 8.10 | NC | <20 | 30 | 30 | 35 | 40 | 40 | 50 | 50 | 50 | 50 | 50 |

Notes:

1. NC sound data based on sound power level re: 10 - 12 watts and 8db room attenuation.
2. For filter models add .050 to Ps for filter resistance.