

**STANDARD CONSTRUCTION**
**FRAME:**

0.032" ROLL FORMED ALUMINUM FRAME IS ASSEMBLED USING CORNER CLIPS TO ASSURE HAIRLINE MITERED CORNERS. EXTRUDED ALUMINUM FRAME USED FOR LARGER PROFILES.

**BLADES:**

0.027" ROLL FORMED ALUMINUM. EACH BLADE IS PERMANENTLY FIXED AT 45° IN ALL ALUMINUM CORE FRAME. CORE FRAME IS PERMANENTLY FASTENED

**OPTIONAL:**

**DAMPER:** GALVANIZED STEEL OPPOSED BLADE DAMPER IS EASILY ADJUSTED THROUGH FACE. \* FOR MORE DETAILS SEE SUBMITTAL "OBD"  
**INSECT SCREEN:** (NOT RECOMMENDED WITH DAMPER OPTION)

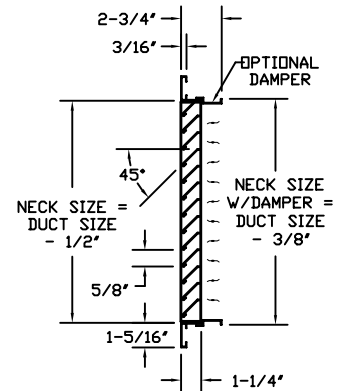
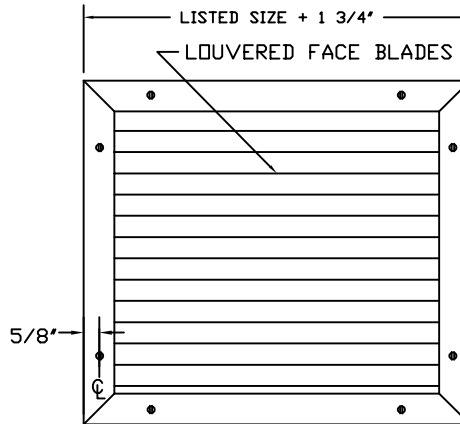
**FINISH:**

SKY-WHITE (STANDARD)  
 MILL FINISH (OPTIONAL)

AXALTA SKY-WHITE 100% POLYESTER POWDER COATING GIVES AN ATTRACTIVE BRIGHT WHITE FINISH AND PROVIDES ADDITIONAL PROTECTION FROM AGING AND WEAR.

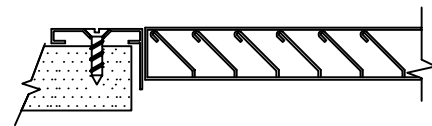
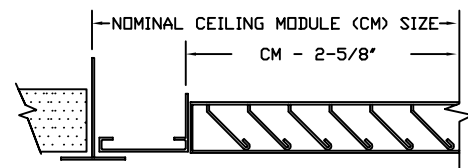
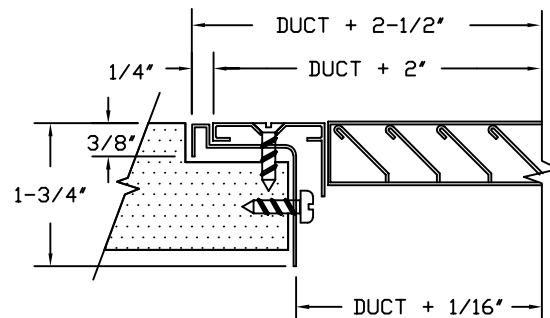
**SIZES:**

6" x 6" MIN  
 48" x 48" MAX



MODEL RA

JOB NAME:
LOCATION:
ARCHITECT:
ENGINEER:
CONTRACTOR:
CONTACT GRILLE TECH INC. FOR ADDITIONAL INFORMATION OR WITH SPECIAL REQUIREMENTS.  5101 NW 36TH AVE MIAMI, FL 33142 PHONE: 305-537-0053 FAX: 305-537-0064  WEB: WWW.GRILLETECHINC.COM EMAIL: SALES@GRILLETECHINC.COM

**STANDARD FASTENING DETAIL**

**BORDER OPTION TYPE TB (LAY-IN)**

**OPTIONAL PLASTER FRAME MOUNTING DETAIL**


\* RECESSED MOUNTED EXAMPLE SHOWN. PLASTER FRAMES MAY ALSO BE USED IN SURFACE MOUNT APPLICATIONS. WALL OR CEILING OPENING SHOULD BE DUCT SIZE + 1/8" TO 1/4".

**MODEL RA/RAOB**

45° DEFLECTION ALUMINUM RETURN

NOTE: ALL DRAWINGS SUBJECT TO CHANGE WITHOUT PRIOR NOTICE.

DRAWN BY:	MR	DATE:	6/21/17	SCALE:	NOT TO SCALE	DRAWING NO.	RA/RAOB
CHECKED BY:	IG	DATE:	6/30/17	REVISION:	6/21/17		

## RA, RAF/FS, RAF/GS, RAOB Returns

Neck Vel.	FPM	300	400	450	500	550	600	650	700	750	800	900
Neck Size	Ps	.020	.030	.040	.040	.050	.060	.070	.080	.090	.110	.130
<b>6 x 6"</b>	CFM	50	70	75	85	95	100	110	120	125	135	155
Ak = .17	NC	<20	<20	<20	<20	<20	<20	<20	<20	20	20	25
<b>8 x 6"</b>	CFM	65	90	100	110	120	130	145	155	165	175	200
Ak = .22	NC	<20	<20	<20	<20	<20	<20	<20	<20	20	20	25
<b>10 x 6"</b>	CFM	85	115	130	145	160	175	190	205	220	230	260
Ak = .29	NC	<20	<20	<20	<20	<20	<20	<20	<20	20	20	30
<b>10 x 8"</b>	CFM	120	160	180	200	220	240	260	280	300	320	360
Ak = .40	NC	<20	<20	<20	<20	<20	<20	<20	<20	20	30	40
<b>12 x 6"</b>	CFM	108	145	160	180	200	215	235	250	270	290	325
Ak = .36	NC	<20	<20	<20	<20	<20	<20	<20	<20	20	20	30
<b>12 x 8"</b>	CFM	145	190	215	240	265	290	315	335	360	385	430
Ak = .48	NC	<20	<20	<20	<20	<20	<20	<20	<20	20	30	40
<b>12 x 10"</b>	CFM	185	245	275	305	335	365	395	425	460	490	550
Ak = .61	NC	<20	<20	<20	<20	<20	<20	<20	20	30	30	40
<b>12 x 12"</b>	CFM	220	295	335	370	405	445	480	520	555	590	665
Ak = .74	NC	<20	<20	<20	<20	<20	<20	20	30	30	30	40
<b>16 x 16"</b>	CFM	395	530	595	660	725	790	860	925	990	1055	1190
Ak = 1.32	NC	<20	<20	<20	20	30	30	30	30	35	35	50
<b>18 x 6"</b>	CFM	165	220	250	275	300	330	360	385	415	440	495
Ak = .550	NC	<20	<20	<20	<20	<20	<20	<20	20	30	30	40
<b>18 x 10"</b>	CFM	275	365	410	455	500	545	590	635	680	730	820
Ak = .91	NC	<20	<20	<20	<20	<20	20	30	30	30	30	40
<b>18 x 12"</b>	CFM	335	450	505	560	615	670	730	785	840	895	1005
Ak = 1.12	NC	<20	<20	<20	<20	20	30	30	30	30	35	40
<b>18 x 18"</b>	CFM	520	690	780	865	950	1040	1125	1210	1295	1385	1550
Ak = 1.73	NC	<20	<20	<20	20	30	30	30	35	35	35	40
<b>24 x 12"</b>	CFM	455	610	685	760	835	910	990	1065	1140	1215	1370
Ak 1.52	NC	<20	<20	<20	20	30	30	30	35	35	35	40
<b>24 x 18"</b>	CFM	705	940	1055	1175	1290	1410	1525	1645	1765	1880	2115
Ak 2.35	NC	<20	<20	<20	30	30	30	35	35	40	40	50
<b>24 x 24"</b>	CFM	945	1260	1420	1575	1735	1890	2045	2205	2365	2520	2835
Ak = 3.15	NC	<20	<20	30	30	30	35	35	35	40	40	50
<b>30 x 12"</b>	CFM	580	770	870	965	1060	1160	1255	1350	1445	1545	1735
Ak = 1.93	NC	<20	<20	<20	30	30	30	30	35	35	40	50
<b>30 x 18"</b>	CFM	880	1170	1320	1465	1610	1760	1905	2050	2200	2345	2635
Ak = 2.93	NC	<20	<20	30	30	30	30	35	40	40	40	50
<b>30 x 24"</b>	CFM	1190	1590	1785	1985	2185	2380	2580	2780	2975	3175	3575
Ak = 3.97	NC	<20	<20	30	30	30	35	40	40	40	50	50
<b>30 x 30"</b>	CFM	1500	2000	2250	3500	2750	3000	3250	3500	3750	4000	4500
Ak = 5.00	NC	<20	30	30	30	35	35	40	40	50	50	50
<b>36 x 18"</b>	CFM	1065	1420	1600	1775	1950	2130	2310	2485	2660	2840	3195
Ak = 3.55	NC	<20	<20	30	30	30	35	35	40	40	40	50
<b>36 x 24"</b>	CFM	1450	1935	2180	2420	2660	2905	3145	3390	3630	3870	4355
Ak = 4.84	NC	<20	30	30	30	35	35	40	40	50	50	50
<b>36 x 30"</b>	CFM	1830	2440	2745	3050	3355	3660	3965	4270	4575	4880	5490
Ak = 6.10	NC	<20	30	30	35	35	40	40	50	50	50	50
<b>48 x 24"</b>	CFM	1960	2610	2940	3265	3590	3920	4245	4570	4900	5225	5875
Ak = 6.53	NC	<20	30	30	35	35	40	40	50	50	50	50
<b>48 x 26"</b>	CFM	2250	3000	3375	3750	4125	4500	4875	5250	5625	6000	6750
Ak = 7.50	NC	<20	30	30	35	40	40	50	50	50	50	50
<b>48 x 30"</b>	CFM	2430	3240	3645	4050	4455	4860	5265	5670	6075	6480	7290
Ak = 8.10	NC	<20	30	30	35	40	40	50	50	50	50	50

**Notes:**

1. NC sound data based on sound power level re: 10 - 12 watts and 8db room attenuation.
2. For filter models add .050 to Ps for filter resistance.