

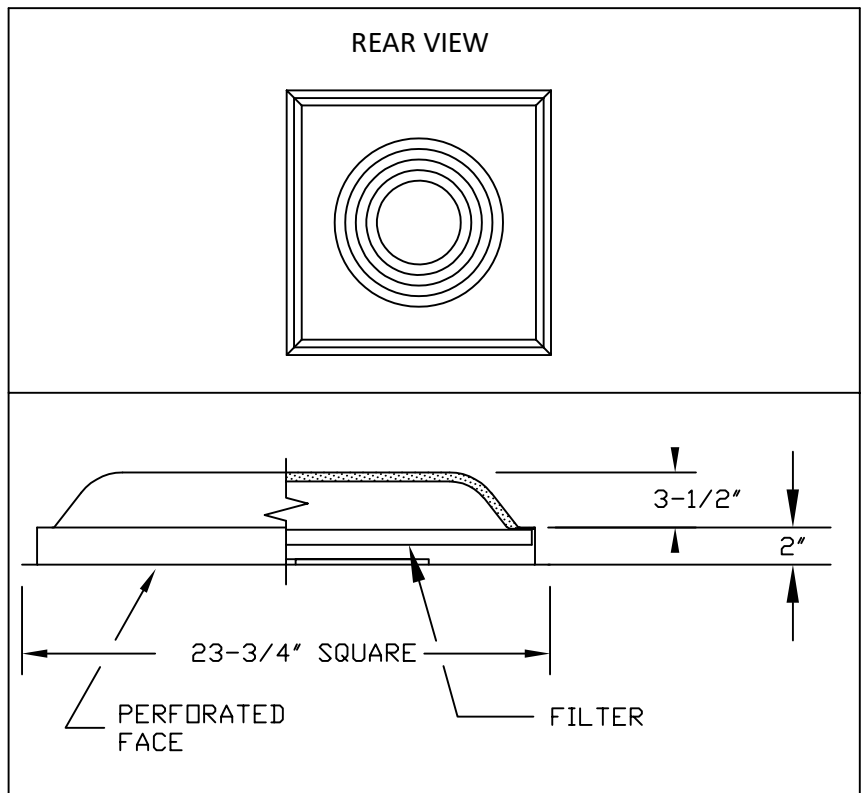
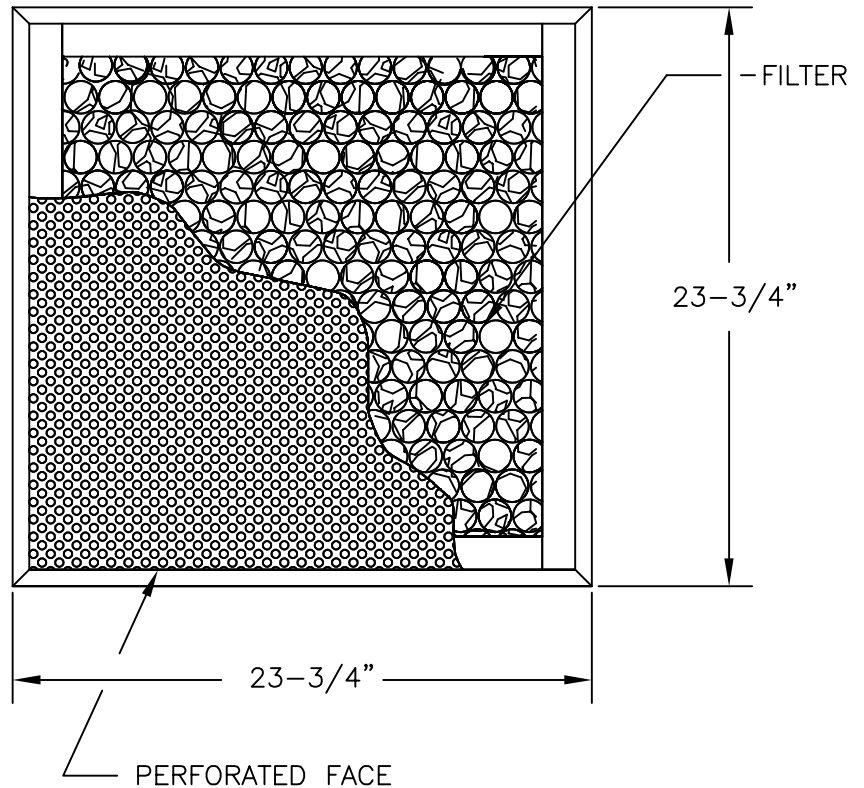
**STANDARD CONSTRUCTION**

**MATERIAL:**  
 COMPLETE MOLDED R6 INSULATED BACK.  
 PERFORATED FACE - 3/16" DIAMETER HOLES ON 1/4" STAGGERED CENTERS.  
 PERIMETER FRAME 22 GAUGE STEEL.

**FEATURES:**  
 SUPERIOR SOUND ABSORPTION.  
 LIGHT WEIGHT - EASILY SUSPENDED  
 HORIZONTAL AIR FLOW PATTERN.  
 CONDENSATION FREE OPERATION.  
 REMOVABLE FACE.  
 THE MOLDED BACK IS EASILY CUT WITH A POCKET KNIFE AND THE CENTER CONNECTION PROVIDES A VERY UNIFORM, WIDELY DISPERSED, AIR FLOW WITHOUT DOWNDRAFTS.  
 1" THICK DISPOSABLE FILTER INCLUDED.

**FINISH:**  
 FACE: SKY-WHITE (STANDARD)

AXALTA SKY-WHITE 100% POLYESTER POWDER COATING GIVES AN ATTRACTIVE BRIGHT WHITE FINISH AND PROVIDES ADDITIONAL PROTECTION FROM AGING AND WEAR.



JOB NAME:
LOCATION:
ARCHITECT:
ENGINEER:
CONTRACTOR:
CONTACT GRILLE TECH INC. FOR ADDITIONAL INFORMATION OR WITH SPECIAL REQUIREMENTS.
5101 NW 36TH AVE MIAMI, FL 33142 PHONE: 305-537-0053 FAX: 305-537-0064
WEB: WWW.GRILLETECHINC.COM EMAIL: SALES@GRILLETECHINC.COM

**MODEL PRF**

PERFORATED FACE CEILING RETURN  
 WITH FILTER AND MOLDED BACK

NOTE: ALL DRAWINGS SUBJECT TO CHANGE WITHOUT PRIOR NOTICE.

DRAWN BY: MR	DATE: 6/21/17	SCALE: NOT TO SCALE	DRAWING NO. PRF
CHECKED BY: IG	DATE: 6/30/17	REVISION: 6/21/17	