

STANDARD CONSTRUCTION
FRAME:

COMPLETE MOLDED R6 INSULATED BACK.
 PERFORATED FACE - 3/16" DIAMETER HOLES ON
 1/4" STAGGERED CENTERS.
 DEFLECTOR PLATE FOR UNIFORM SUPPLY AIR
 PATTERN OR REMOVABLE FOR RETURN AIR USE.
 LAY-IN FRAME STYLE.
 BLACK DEFLECTOR PLATE.

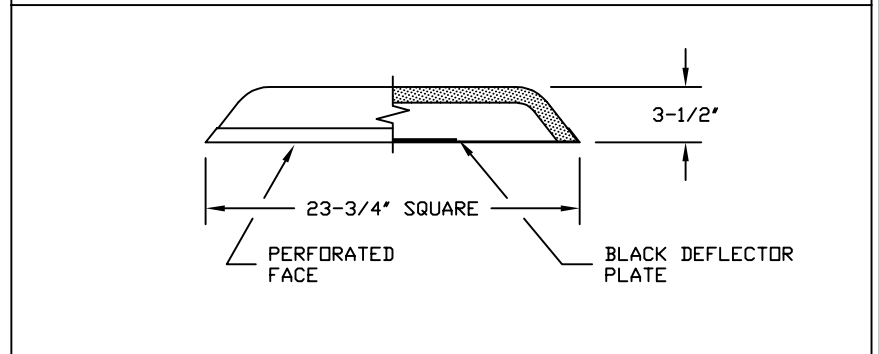
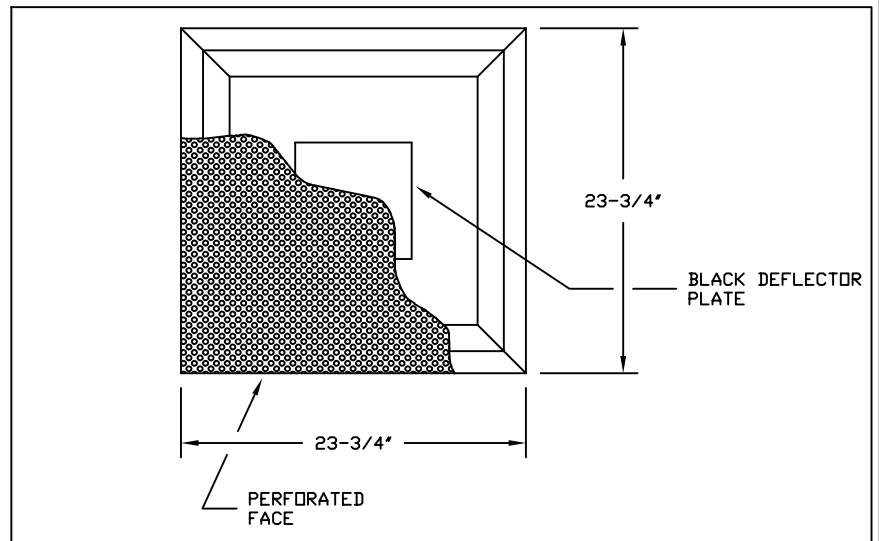
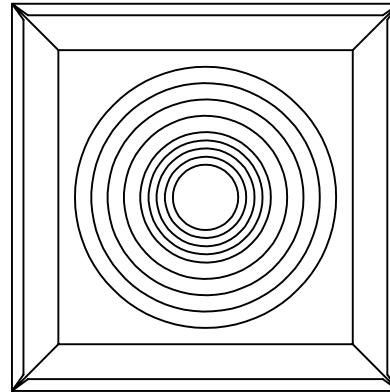
FEATURES:

SUPERIOR SOUND ABSORPTION.
 LIGHT WEIGHT - EASILY SUSPENDED.
 CONDENSATION FREE OPERATION.
 HORIZONTAL AIR FLOW PATTERN: NO
 DOWNDRAFTS.
 THE MOLDED BACK IS EASILY CUT WITH A POCKET
 KNIFE AND THE CENTER CONNECTION PROVIDES A
 VERY UNIFORM, WIDELY DISPERSED, AIR FLOW
 WITHOUT DOWNDRAFTS.

FINISH:

SKY-WHITE (STANDARD)

AXALTA SKY-WHITE 100% POLYESTER POWDER
 COATING GIVES AN ATTRACTIVE BRIGHT WHITE
 FINISH AND PROVIDES ADDITIONAL PROTECTION
 FROM AGING AND WEAR.



JOB NAME:
LOCATION:
ARCHITECT:
ENGINEER:
CONTRACTOR:
CONTACT GRILLE TECH INC. FOR ADDITIONAL INFORMATION OR WITH SPECIAL REQUIREMENTS. 5101 NW 36TH AVE MIAMI, FL 33142 PHONE: 305-537-0053 FAX: 305-537-0064 WEB: WWW.GRILLETECHINC.COM EMAIL: SALES@GRILLETECHINC.COM

MODEL PDB

PERFORATED FACE, MOLDED BACK CEILING DIFFUSER

NOTE: ALL DRAWINGS SUBJECT TO CHANGE WITHOUT PRIOR NOTICE.

DRAWN BY:	MR	DATE:	8/01/17	SCALE:	NOT TO SCALE
CHECKED BY:	IG	DATE:	8/30/17	REVISION:	8/01/17

DRAWING NO.	PDB
-------------	-----

PDB-EDB 24 x 24 Fixed Face
Fiberglass Back Perforated (Supply) Diffusers

NECK DIAMETER	FPM Neck Velocity	200	300	400	500	600	700	800	900	1000
	Pv	.002	.006	.010	.016	.022	.030	.040	.050	.062
5	CFM	25	40	55	70	80	95	110	120	138
	Pt	.003	.008	.016	.025	.033	.045	.060	.076	.094
	Throw	1-1-1	1-1-1	1-1-1	1-1-3	1-1-4	1-1-4	1-1-5	1-2-6	1-3-6
	NC	<	<	<	<	<	<	21	24	27
6	CFM	40	60	80	100	115	135	155	175	196
	Pt	.004	.009	.016	.027	.035	.049	.066	.078	.105
	Throw	1-1-1	1-1-1	1-1-4	1-2-4	1-2-5	1-3-6	2-3-7	2-3-8	2-4-10
	NC	<	<	<	<	22	26	30	35	38
7	CFM	50	80	105	135	160	185	210	240	265
	Pt	.005	.013	.026	.036	.050	.068	.088	.115	.140
	Throw	1-1-1	1-1-3	1-1-4	1-2-4	1-2-5	1-3-6	2-3-7	2-3-8	2-4-10
	NC	<	<	<	20	23	26	30	34	37
8	CFM	70	105	140	175	210	245	280	315	350
	Pt	.006	.013	.026	.037	.054	.073	.096	.121	.150
	Throw	1-1-2	1-1-3	1-2-5	2-2-5	2-3-6	2-3-8	2-4-10	3-5-11	3-6-12
	NC	<	<	<	20	23	26	30	34	38
10	CFM	110	160	215	270	325	380	435	490	545
	Pt	.008	.018	.033	.052	.075	.111	.135	.171	.212
	Throw	1-2-3	1-2-4	1-2-5	2-3-6	2-3-7	3-4-8	3-4-10	3-5-12	4-7-14
	NC	<	<	20	23	26	29	34	38	41
12	CFM	155	235	315	390	470	550	630	705	785
	Pt	.009	.021	.039	.059	.086	.118	.155	.194	.240
	Throw	1-2-4	1-2-5	1-2-7	2-3-9	2-5-11	3-6-13	4-7-14	6-9-18	7-11-21
	NC	<	20	24	27	30	34	38	42	45
14	CFM	210	320	425	535	640	750	855	960	1070
	Pt	.010	.022	.039	.063	.091	.124	.162	.210	0.253
	Throw	1-2-6	1-3-9	2-5-11	3-6-13	4-8-16	5-9-18	7-11-23	9-13-27	10-16-32
	NC	<	20	24	28	32	36	40	45	48
15	CFM	245	370	490	610	735	860	980	1105	1225
	Pt	.015	.034	.060	.093	.135	.185	.240	.305	.375
	Throw	1-3-9	2-5-11	3-6-13	4-8-16	5-10-18	7-11-23	9-13-27	10-16-32	11-16-33
	NC	<	23	28	33	38	43	48	53	55

Notes:

- Noise based on 10db room absorption.
- Throws are for 150, 100, 50 FPM.
- < = NC less than 20db



PDBR-EDBR Perforated Return Diffusers

Fiberglass Back, No Pattern Controllers

NECK DIAMETER	FPM INLET	200	300	400	500	600	700	800	900	1000
	Ps	-0.005	-0.013	-0.024	-0.040	-0.050	-0.070	-0.096	-0.115	-0.146
5	CFM	25	40	55	70	80	95	110	120	135
6	CFM	40	60	80	100	115	135	155	175	195
7	CFM	50	80	105	135	160	185	210	240	265
8	CFM	70	105	140	175	210	245	280	315	350
9	CFM	90	130	175	220	265	310	350	395	440
10	CFM	110	160	215	270	325	380	435	490	545
12	CFM	155	235	315	390	470	550	630	705	785
14	CFM	210	320	425	535	640	750	855	960	1070
15	CFM	245	370	490	610	735	860	980	1105	1225