

**STANDARD CONSTRUCTION**
**FRAME:**

0.032" THICK, ROLL FORMED ALUMINUM (0.045" THICK EXTRUDED ALUMINUM FOR UNITS WITH EITHER WIDTH OR HEIGHT 30" OR LARGER). FRAME IS ASSEMBLED USING CORNER CLIPS TO ASSURE HAIRLINE MITERED CORNERS.

**BLADES:**

0.030" THICK ROLL FORMED ALUMINUM.  
1-WAY DEFLECTION.  
ADJUSTABLE CURVE BLADE DESIGN.

**VANES:**

DEFLECTION VANES ARE EASILY SET WITHOUT USE OF SPECIAL TOOLS.

**DAMPER:**

MULTI-SHUTTER DAMPER IS EASILY ADJUSTED.

**DEPTH:**

NARROW DEPTH OF DAMPER DESIGN ALLOWS GRILL/DAMPER COMBINATION TO BE USED IN STACK HEADS OF MINIMUM DEPTHS.

**GASKET:**

RUBBER GASKET IN COMPLIANCE WITH FLORIDA STATE BUILDING CODE.

**OPTIONAL:**

MODEL PF PLASTER FRAMES ARE AVAILABLE.

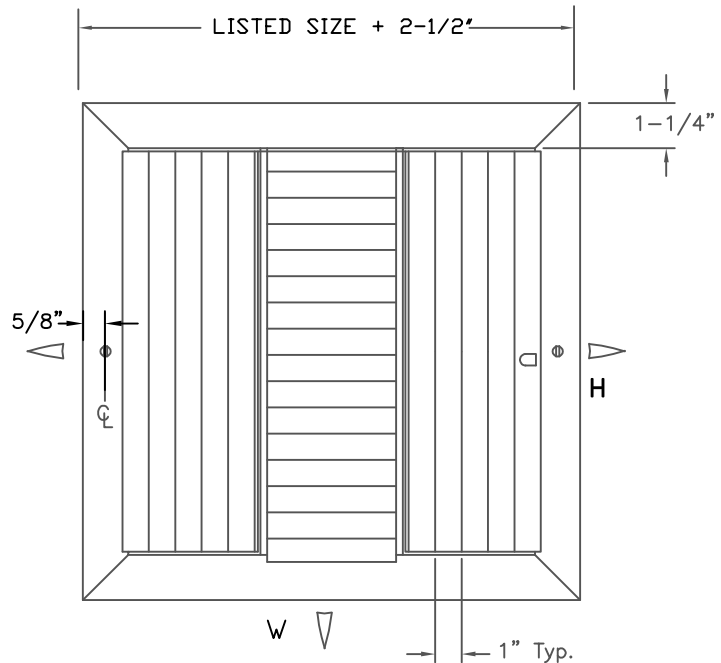
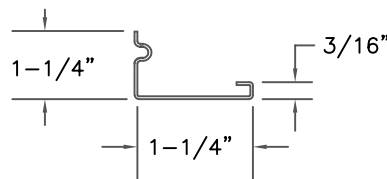
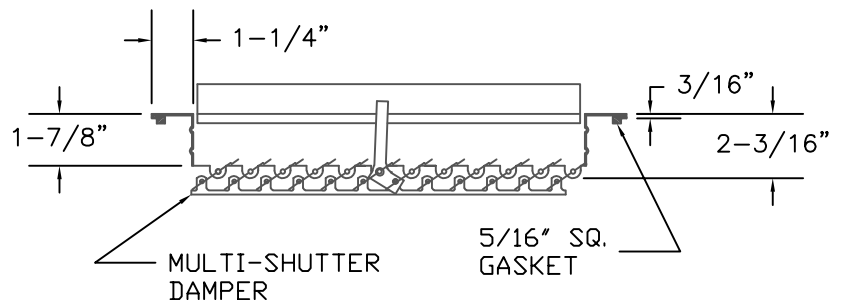
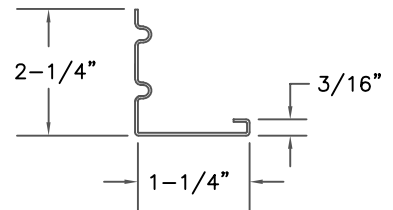
**FINISH:**

SKY-WHITE (STANDARD)  
MILL FINISH (OPTIONAL)

AXALTA SKY-WHITE 100% POLYESTER POWDER COATING GIVES AN ATTRACTIVE BRIGHT WHITE FINISH AND PROVIDES ADDITIONAL PROTECTION FROM AGING AND WEAR.

**SIZES:**

4" X 4" MIN  
36" X 36" MAX


**STANDARD FRAME PROFILE**

**EXTRUDED FRAME PROFILE**


JOB NAME:
LOCATION:
ARCHITECT:
ENGINEER:
CONTRACTOR:
CONTACT GRILLE TECH INC. FOR ADDITIONAL INFORMATION OR WITH SPECIAL REQUIREMENTS.
5101 NW 36TH AVE MIAMI, FL 33142 PHONE: 305-537-0053 FAX: 305-537-0064
WEB: WWW.GRILLETECHINC.COM EMAIL: SALES@GRILLETECHINC.COM

**MODEL CL3M**

CURVED BLADE LOUVERED FACE  
3-WAY DEFLECTION GRILLE OR REGISTER  
WITH MULTI-SHUTTER DAMPER

NOTE: ALL DRAWINGS SUBJECT TO CHANGE WITHOUT PRIOR NOTICE.

DRAWN BY:	MR	DATE:	7/14/17	SCALE:	NOT TO SCALE
CHECKED BY:	IG	DATE:	7/31/17	REVISION:	7/14/17

DRAWING NO.  
**CL3M**