

Submittal Data: SAP12HP230V1A 12,000 BTU/H Wall Mounted Heat- Pump System

Job Name Location Date

Purchaser Engineer

Submitted To For Reference Approval Construction

Unit Designation Schedule No.

- GENERAL FEATURES**
- Variable Speed (Inverter) Two-Stage Compressor
 - Low Ambient Heating (down to -22° F)
 - WIFI Controls
 - 7 Indoor Fan Speeds
 - 4 Way Airflow Operation
 - Wireless Remote with LCD Display
 - Copper Tube/Aluminum Fins w/ Acrylic Resin Anti-Corrosion Coating on both ID and OD units
 - I-FEEL Function
 - 5 year Limited Parts Warranty



System Ratings

Cooling	
Rated Capacity	12,000 BTU/H
Capacity Range	2,900 -15,354 BTU/H
Power Input (Max)	1,500 W
SEER	30.5
EER	15.3

Heating at 47° F	
Rated Capacity	12,200 BTU/H
Capacity Range	3,071 -18,766 BTU/H
Power Input (Max)	1,600 W
HSPF	14.0
COP	3.8

Heating at 17° F	
Rated Capacity	8,100 BTU/H

Operating Range		
Cooling	(Max)	129°F(54°C)
	(Min)	0°F(-18°C)
Heating	(Max)	75°F (24°C)
	(Min)	-22°F(-30°C)

Power Supply	
Normal Operational Voltage	208/230 V, 1 Phase, 60 Hz
Voltage Range	187 - 253 V
Main Power Wire Size	12-2 AWG
Interconnecting Cable Wire Size	14-4 AWG
MCA	9 A
MOCB/Breaker Size	15 A

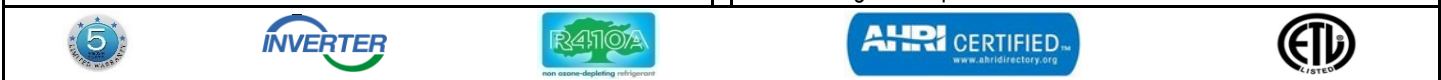
Indoor Unit Data

Fan Motor	Type	Cross-flow
	Output Power	60 W
	FLA	0.09 A
Airflow	(Low/High)	235/500 CFM
Air Throw	(Max)	29.5 ft
Sound Level		
	Cooling (Low/High)	22/49 dB(A)
	Heating (Low/High)	22/49 dB(A)
Dehumidification		3.0 pt/hr

Outdoor Unit Data

Compressor	Type	DC Inverter Driven 2-Stage Rotary
	RLA	6.9A
Fan Motor	Output Power	30 W
	RLA	0.24 A
Sound Level		53 dB(A)

Refrigerant Piping Data	
Gas Pipe Size (OD)	1/2-in
Liquid Pipe Size (OD)	1/4-in
Connection Method	Flared
Factory Charge	R410A/49.4 oz
Additional Charge	0.20 oz/ft
Pre-Charge Length	25-ft
MAX Refrigerant Pipe Length	98-ft
MIN Refrigerant Pipe Length	10-ft
MAX Refrigerant Pipe Elevation	49-ft



SYSTEM FEATURES	
Inverter Type	G10
Ultra Low Frequency Torque Control	Yes
Power Factor Correction	Yes
Compressor Type	High Eff. Two Stage Rotary
Refrigerant Type	R410A
Basepan With Electric Heater	YES
Compressor With Electric Heater	YES
Indoor & Outdoor Fin Coating	Acrylic Resin/Anti-Corrosion
Intelligent Defrosting	YES
Intelligent Preheating	YES
Low Voltage Startup	YES
Memory/Power Failure Recovery	YES
Self Diagnosis	YES
Wired Controller Interface	NO
WIFI Interface Capable	YES
Indoor Fan Type	Crossflow
Multi Fan Speeds	7 Speeds
Indoor Unit Display	YES
Advance Filter	Optional (see Filter Kits)
Auxiliary Electrical Heater	NO
Ventilation (Outdoor Air)	NO
REMOTE CONTROLLER FUNCTIONS	
Auto Mode	YES
Auto Fan	YES
Auto Swing (Horizontal Auto Swing)	YES
Auto Swing - 180°(Vertical Auto Swing)	YES
Clock on Remote Controller	YES
Dry Mode	YES
Dry Anti-Mildew (X-Fan) Mode	YES
Energy Saving Mode	NO
Dirty Filter Alert	NO
Fan Speed Control (7 speeds)	YES
I Feel Function	YES
Privacy Lock on Remote Controller	YES
Quiet Mode	YES
Room Temperature Display	NO
Sleep Mode	YES
4 Sleep Modes Options	YES
Timer Mode	YES
Turbo Mode	YES
Display On/Off Control	YES
Freeze Guard Mode	NO
Display On/Off Control	YES
Freeze Guard Mode	YES
Power Failure Mode	YES

COOLING PERFORMANCE (BtuH)*

Outdoor Ambient Temperature (DB)	Indoor Entering Air Temperatures					
	68°F DB		73°F DB		80°F DB	
	57°F FWB		61°F FWB		67°F FWB	
	TC	SHC	TC	SHC	TC	SHC
0°F	8274	6639	8517	6842	8975	7200
5°F	8903	7142	9165	7361	9657	7746
14°F	10160	8148	10462	8398	11022	8838
23°F	10789	8651	11110	8916	11705	9384
32°F	11418	9154	11758	9435	12387	9930
41°F	12047	9657	12407	9954	13069	10476
50°F	12612	10090	12943	10345	14666	10954
59°F	13241	10593	13591	10864	15348	11500
68°F	14498	11599	14888	11901	16713	12592
77°F	15127	12102	15536	12419	17396	13138
86°F	15756	12605	16184	12938	18078	13684
95°F	15829	12679	16300	13071	17182	13745
104°F	15200	12176	15652	12552	16500	13199
113°F	14571	11673	15004	12034	15817	12653
122°F	13314	10667	13707	10997	14452	11561
129°F	12685	10164	13059	10478	13770	11015

HEATING PERFORMANCE (BtuH)*

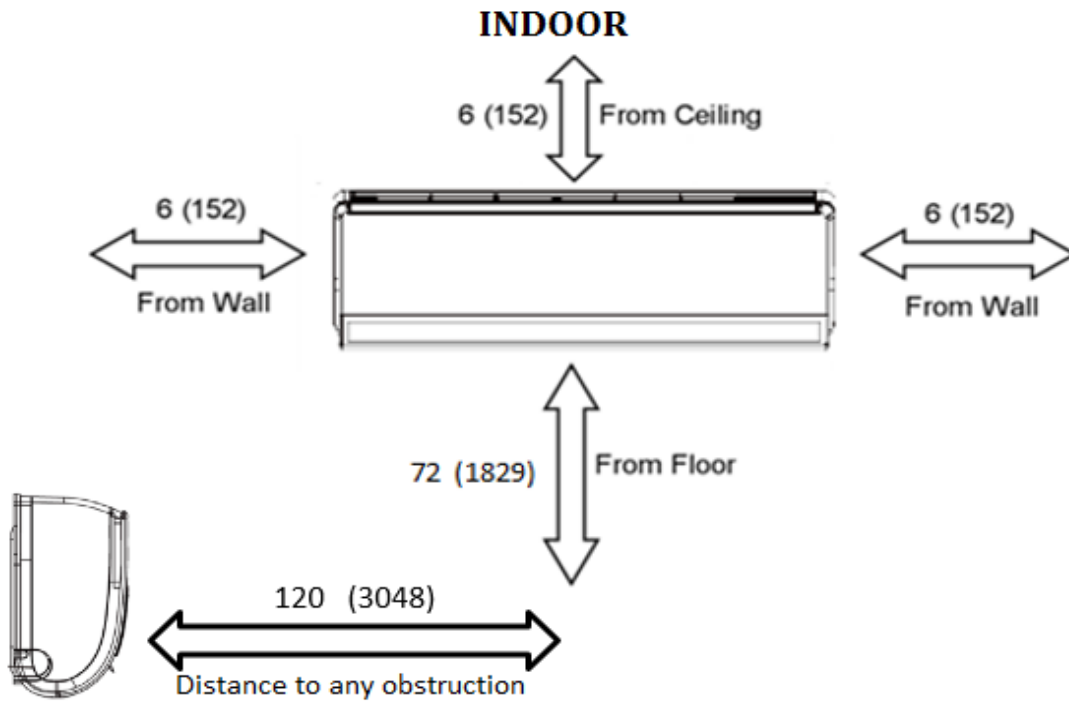
Outdoor Ambient Temperature (DB)	Indoor Entering Air Temperatures					
	68°F DB		73°F DB		80°F DB	
	57°F FWB		61°F FWB		67°F FWB	
	TC	SHC	TC	SHC	TC	SHC
-22°F	8589		8556		8533	
-13°F	9760		9724		9698	
-4°F	12200		12155		12123	
0°F	12289		12247		12215	
6°F	13304		13259		13227	
10°F	13743		13697		13664	
16°F	14590		14542		14507	
19°F	14797		14750		14695	
24°F	15658		15606		15548	
32°F	17094		17037		16979	
41°F	18263		18200		18139	
43°F	18410		18359		18297	
47°F	17858		17808		17750	
53°F	17322		17275		17220	
59°F	16023		15980		15927	
64°F	14773		14734		14685	
70°F	13887		13853		13806	
75°F	12915		12884		12740	
78°F	12140		12112		12006	

* Maximum system capacity

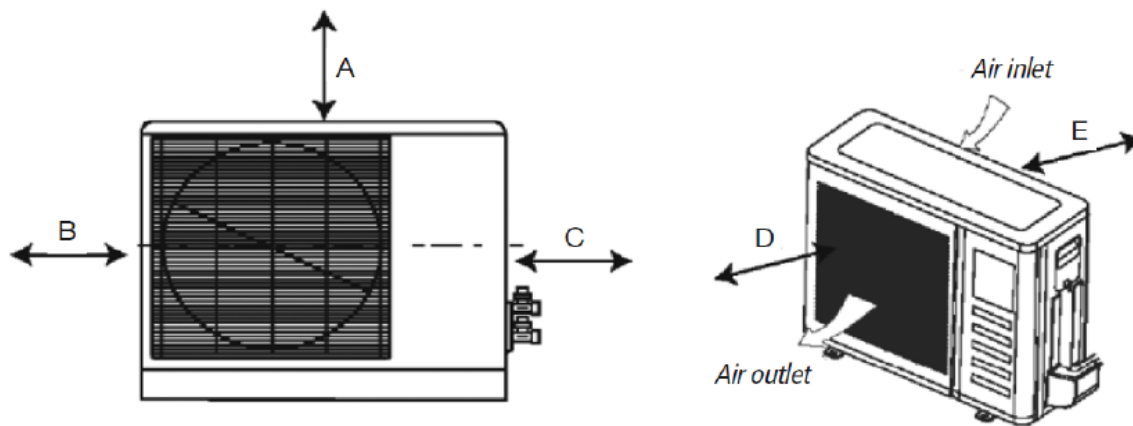
TC- Total Capacity (BtuH)
 SHC- Sensible Capacity (BtuH)

MINIMUM SPACING REQUIREMENTS

Units: inch (mm)



Minimum Outdoor Clearances



Outdoor Unit	Minimum Distances in (mm)
A	20 (500)
B	12 (305)
C	20 (500)
D	80 (2032)
E	12 (305)



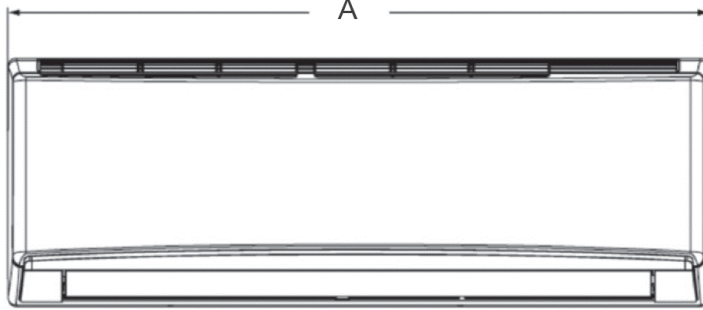
DIMENSIONAL SPECIFICATIONS

SAP12HP230V1A

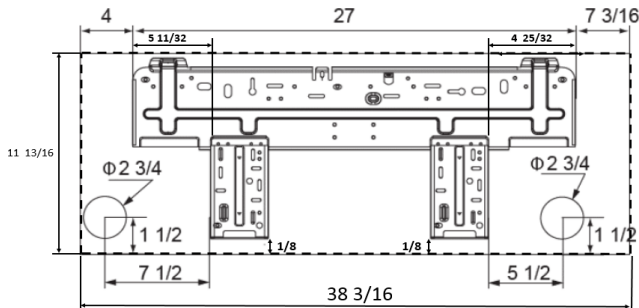
INDOOR UNIT DIMENSIONS

Units: inch

Model No: SAP12HP230V1AH



Dimensions	
A	39.9
B	12.1
C	8.7



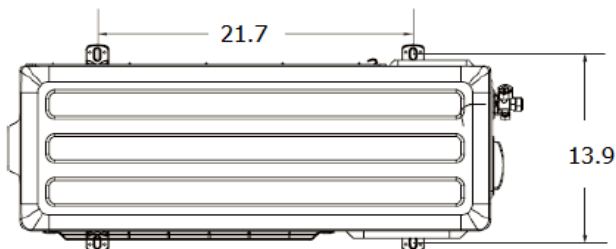
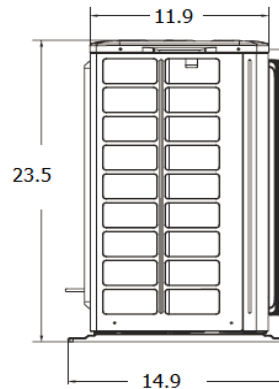
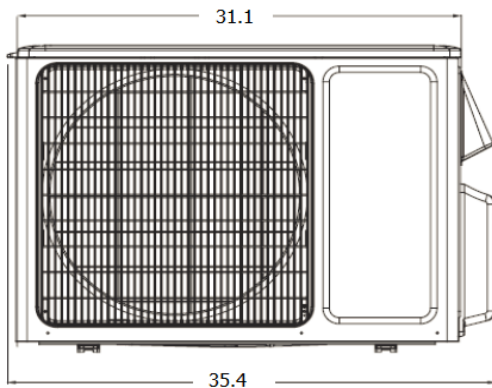
Weight (Net/Shipping) 29.8/36.4 LBS

Liquid Line Valve	1/4-in OD Flared
Gas Line Valve	1/2-in OD Flared
Drain Connector	5/8-in OD

OUTDOOR UNIT DIMENSIONS

Units: inch

Model No: SAP12HP230V1AO



Liquid Line Valve	1/4-in OD Flared
Gas Line Valve	1/2-in OD Flared

Weight (Net/Shipping) 99.2/105.8 LBS

Notes:

1. Recommended Interconnecting Cable Type 14 AWG 4 Stranded Copper Conductors THHN 600V Wire
2. Power wiring cable size must comply with applicable national and local codes.
3. Test conditions are based on AHRI 210/240.

Specifications are subject to change without notice. Manufacturer reserves the right to discontinue or modify specifications or designs without notice or without incurring obligations. All rights reserved.