

Submittal Data: 7,000 to 15,000 BTU/H 265V Heat Pump with Electric Heat Models

Job Name _____ Location _____ Date _____

Purchaser _____ Engineer _____

Submitted To _____ For Reference Approval Construction

Unit Designation _____ Schedule No. _____

GENERAL FEATURES

- Standard Size (42-in x 16-in)
- IR Remote Control
- Wall Thermostat Interface
- LCDI Power Cord
- Condensate Slinger Ring Disposal
- Fresh Air Ventilation up to 60 CFM
- Dry Mode
- 5 year Limited Warranty**



Performance Specifications

MODEL NUMBER	CAPACITY (Btuh)			HEATER KW	EER	COP	DEHUMID-IFICATION (Pints/Hr)	SENSIBLE HEAT FACTOR	INDOR FAN CFM (Hi Speed)
	Cooling	Heating							
		Rev. Cycle	Electric						
ETAC-07HP265V20A-A	7,700	6,300	10,200	3	12	3.4	1.7	84%	294
ETAC-09HP265V20A-A	9,300	8,100	10,200	3	11.3	3.3	2.1	81%	300
ETAC-12HP265V20A-A	12,000	10,700	10,200	3	10.7	3.1	2.7	67%	310
ETAC-12HP265V30A-A	12,000	10,700	17,000	5	10.7	3.1	2.7	67%	310
ETAC-15HP265V20A-A	14,500	13,300	10,200	3	9.8	3	2.75	65%	341
ETAC-15HP265V30A-A	14,500	13,300	17,000	5	9.8	3	2.75	65%	341

Electrical Specifications

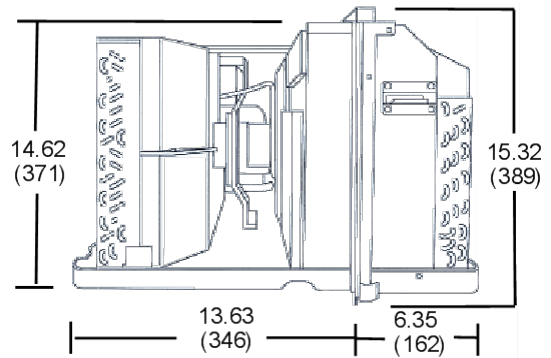
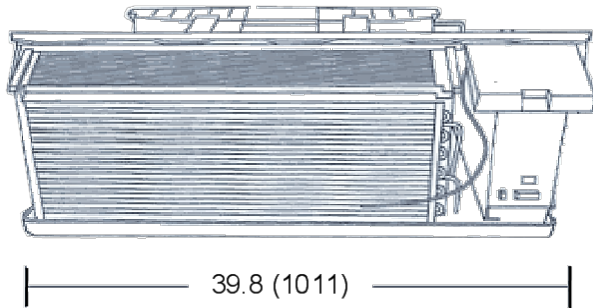
MODEL NUMBER	VOLTAGE RANGE	FREQUENCY - PHASE	INPUT POWER (WATTS)		CURRENT (AMPS)		MAX FUSE SIZE (Amps)	MIN. CIRCUIT AMP	RECEPTACLE CONFIG.
			Cooling	Heating	Cooling	Heating**			
ETAC-09HP265V20A-A	239-292	60hz -1ph	825	3,000	3.4	11.3	20	16.5	NEMA 7-20R
ETAC-12HP265V20A-A	239-292	60hz -1ph	1,120	3,000	4.6	11.3	20	16.5	NEMA 7-20R
ETAC-12HP265V30A-A	239-292	60hz -1ph	1,120	5,000	4.6	18.9	30	27.2	NEMA 7-30R
ETAC-15HP265V20A-A	239-292	60hz -1ph	1,480	3,000	5.8	11.3	20	16.5	NEMA 7-20R
ETAC-15HP265V30A-A	239-292	60hz -1ph	1,480	5,000	5.8	18.9	30	27.2	NEMA 7-30R

**Electric resistance heater power and fan motor power.



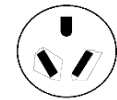
DIMENSIONAL SPECIFICATIONS

Units: inch (mm)



MODEL NUMBER	VOLTAGE	ELECTRIC HEATER	RECEPTACLE TYPE
ETAC-07HP265V20A-A	265V	3KW	B
ETAC-09HP265V20A-A	265V	3KW	B
ETAC-12HP265V20A-A	265V	3KW	B
ETAC-12HP265V30A-A	265V	5KW	C
ETAC-15HP265V20A-A	265V	3KW	B
ETAC-15HP265V30A-A	265V	5KW	C

Receptacle Configurations



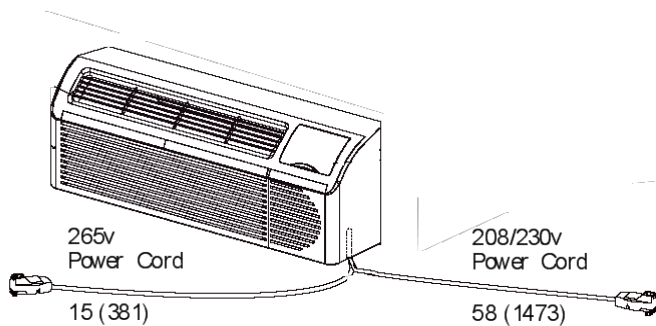
A



B



C



Units: inch (mm)

Accessories:

SLEEVE-INSUL-1PK	Wall Sleeve Polymer Insulated (42x16x14)
GRILLE-ALU-CLEAR	Aluminum Architectural Rear Grille -Clear
GRILLE-PLA-BEIGE	Polymer Architectural Rear Grille -Beige
GRILLE-ALU-STAMP	Stamped Aluminum Grille 42 x 16 -Clear
DRAIN-KIT-1PK	Condensate Drain Kit 1 per pack
PTAC-SUBBASE-A	Universal Subbase
TT-N-631W	Digital Wireless Wall Thermostat
HARDWIRE-KIT-265V	Conduit/Hardwire Power Connection Kit
PTAC-REC265V20-A	265v 20A Subbase Receptable Modules
LATERAL-DUCT	Heat & Cool Two Rooms With One ETAC unit

See ETAC
Product Catalog
For Additional
Accessories

Notes:

1. Rated in accordance with ARI Standard 380-93.



Specifications are subject to change without notice. Manufacturer reserves the right to discontinue or modify specifications or designs without notice or without incurring obligations. All rights reserved.