

**Submittal Data: 7,000 to 15,000 BTU/H 208/230V Heat Pump with Electric Heat Models**

Job Name \_\_\_\_\_ Location \_\_\_\_\_ Date \_\_\_\_\_

Purchaser \_\_\_\_\_ Engineer \_\_\_\_\_

Submitted To \_\_\_\_\_ For  Reference  Approval  Construction

Unit Designation \_\_\_\_\_ Schedule No. \_\_\_\_\_

**GENERAL FEATURES**

- Standard Size (42-in x 16-in)
- IR Remote Control
- Wall Thermostat Interface
- LCDI Power Cord
- Condensate Slinger Ring Disposal
- Fresh Air Ventilation up to 60 CFM
- Dry Mode
- 5 year Limited Warranty**



**Performance Specifications**

MODEL NUMBER	CAPACITY (Btuh)			HEATER KW	EER	COP	DEHUMIDIFICATION (Pints/Hr)	SENSIBLE HEAT FACTOR	INDOR FAN CFM (Hi Speed)
	Cooling	Heating							
		Rev. Cycle	Electric						
ETAC-07HP230V15A-A	7,600/7,700	6,100/6,300	5,200/6,800	1.6/2.0	12.2/12.0	3.4/3.4	1.7	84%	280/294
ETAC-07HP230V20A-A	7,600/7,700	6,100/6,300	8,300/10,200	2.4/3.0	12.2/12.0	3.4/3.4	1.7	84%	280/294
ETAC-09HP230V15A-A	8,800/9,000	7,900/8,100	5,200/6,800	1.6/2.0	11.4/11.3	3.3/3.3	2.1	81%	280/312
ETAC-09HP230V20A-A	8,800/9,000	7,900/8,100	8,300/10,200	2.4/3.0	11.4/11.3	3.3/3.3	2.1	81%	280/312
ETAC-12HP230V15A-A	11,800/12,000	10,500/10,700	5,200/6,800	1.6/2.0	10.5/10.7	3.1/3.1	2.7	67%	290/330
ETAC-12HP230V20A-A	11,800/12,000	10,500/10,700	8,300/10,200	2.4/3.0	10.5/10.7	3.1/3.1	2.7	67%	290/330
ETAC-12HP230V30A-A	11,800/12,000	10,500/10,700	13,900/17,000	4.1/5.0	10.5/10.7	3.1/3.1	2.7	67%	290/330
ETAC-15HP230V20A-A	14,200/14,500	13,000/13,300	8,300/10,200	2.4/3.0	9.7/9.8	3.0/3.0	3.2	65%	320/341
ETAC-15HP230V30A-A	14,200/14,500	13,000/13,300	13,900/17,000	4.1/5.0	9.7/9.8	3.0/3.0	3.2	65%	320/341

**Electrical Specifications**

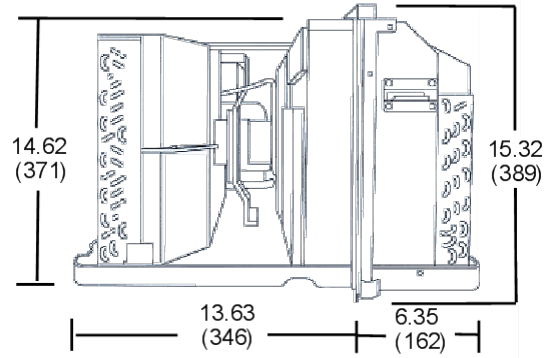
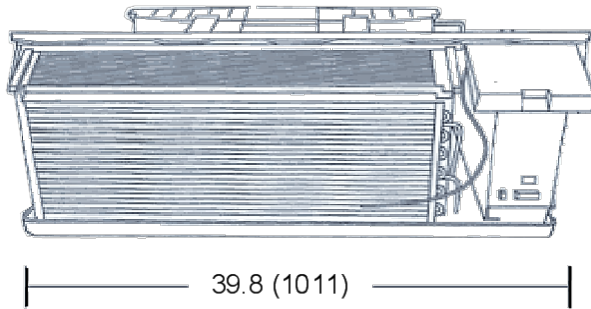
MODEL NUMBER	VOLTAGE RANGE	FREQUENCY - PHASE	INPUT POWER ( WATTS)		CURRENT (AMPS)		MAX FUSE SIZE (Amps)	MIN. CIRCUIT AMP	RECEPTACLE CONFIG.
			Cooling	Heating	Cooling	Heating**			
ETAC-07HP230V15A-A	187-253	60hz -1ph	620/640	1,635/2,000	3.0/2.8	7.9/8.9	15	11.1	NEMA 6-15R
ETAC-07HP230V20A-A	187-253	60hz -1ph	620/640	2,452/3,000	3.0/2.8	12.2/13.2	20	16.5	NEMA 6-20R
ETAC-09HP230V15A-A	187-253	60hz -1ph	770/800	1,635/2,000	3.9/3.7	7.9/8.9	15	11.1	NEMA 6-15R
ETAC-09HP230V20A-A	187-253	60hz -1ph	770/800	2,452/3,000	3.9/3.7	12.2/13.2	20	16.5	NEMA 6-20R
ETAC-12HP230V15A-A	187-253	60hz -1ph	1,120/1,120	1,635/2,000	5.7/5.1	7.9/8.9	15	11.1	NEMA 6-15R
ETAC-12HP230V20A-A	187-253	60hz -1ph	1,120/1,120	2,452/3,000	5.7/5.1	12.2/13.2	20	16.5	NEMA 6-20R
ETAC-12HP230V30A-A	187-253	60hz -1ph	1,120/1,120	4,087/5,000	5.7/5.1	20.5/21.5	30	27.2	NEMA 6-30R
ETAC-15HP230V20A-A	187-253	60hz -1ph	1,460/1,480	2,452/3,000	7.5/6.7	12.2/13.2	20	16.5	NEMA 6-20R
ETAC-15HP230V30A-A	187-253	60hz -1ph	1,460/1,480	4,087/5,000	7.5/6.7	20.5/21.5	30	27.2	NEMA 6-30R

\*\*Electric resistance heater power and fan motor power.



# DIMENSIONAL SPECIFICATIONS

Units: inch (mm)

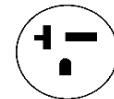


MODEL NUMBER	VOLTAGE	ELECTRIC HEATER	RECEPTACLE TYPE
ETAC-07HP230V15A-A	208/230V	2KW	A
ETAC-07HP230V20A-A	208/230V	3KW	B
ETAC-09HP230V15A-A	208/230V	2KW	A
ETAC-09HP230V20A-A	208/230V	3KW	B
ETAC-12HP230V15A-A	208/230V	2KW	A
ETAC-12HP230V20A-A	208/230V	3KW	B
ETAC-12HP230V30A-A	208/230V	5KW	C
ETAC-15HP230V20A-A	208/230V	3KW	B
ETAC-15HP230V30A-A	208/230V	5KW	C

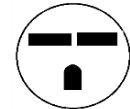
### Receptacle Configurations



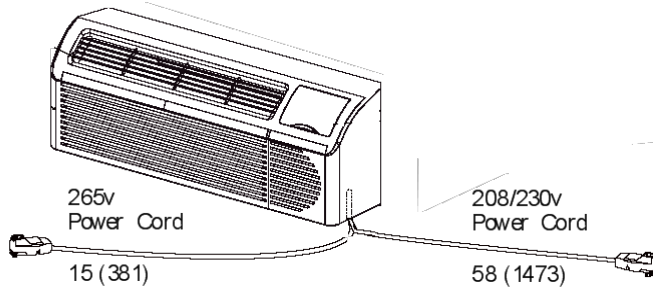
A



B



C



Units: inch (mm)

### Accessories:

SLEEVE-INSUL-1PK	Wall Sleeve Polymer Insulated (42x16x14)
GRILLE-ALU-CLEAR	Aluminum Architectural Rear Grille Clear
GRILLE-PLA-BEIGE	Polymer Architectural Rear Grille Beige
GRILLE-ALU-STAMP	Stamped Aluminum Grille 42 x 16 Clear
DRAIN-KIT-1PK	Condensate Drain Kit 1 per pack
PTAC-SUBBASE-A	Universal Subbase
TT-N-631W	Digital wireless wall thermostat
LATERAL-DUCT	Heat & cool two rooms with one ETAC unit

See ETAC  
Product Catalog  
For Additional  
Accessories

#### Notes:

- Rated in accordance with ARI Standard 380-93.



Specifications are subject to change without notice. Manufacturer reserves the right to discontinue or modify specifications or designs without notice or without incurring obligations. All rights reserved.