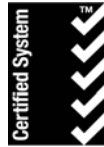


**EVAPORATOR COILS
CASED, MULTIPosition
R-410A SYSTEMS
1-1/2 – 5 Tons**

GRANDAIRE
Heating & Cooling Products



Use of the AHRI Certified TM Mark indicates a manufacturer's participation in the program. For verification of certification for individual products, go to www.ahrirectory.org.



ISO 9001
OMI-SAI Global



WLAM

MODEL NUMBER	TONS	FLUSH FIT TO FURNACE WIDTH inches (mm)	COIL CONNECTION TUBE SIZE inches (mm)	
			Liquid	Suction
WLAM184AA	1 – 1/2	14 – 3/16 (360)	3/8 (10)	5/8 (16)
WLAM194BA	1 – 1/2	17 – 1/2 (445)	3/8 (10)	3/4 (19)
WLAM244AA	2	14 – 3/16 (360)	3/8 (10)	5/8 (16)
WLAM244BA	2	17 – 1/2 (445)	3/8 (10)	5/8 (16)
WLAM254BA	2	17 – 1/2 (445)	3/8 (10)	3/4 (19)
WLAM304AA	2-1/2	14 – 3/16 (360)	3/8 (10)	3/4 (19)
WLAM304BA	2-1/2	17 – 1/2 (445)	3/8 (10)	3/4 (19)
WLAM364BA	3	17 – 1/2 (445)	3/8 (10)	3/4 (19)
WLAM374BA	3	17 – 1/2 (445)	3/8 (10)	3/4 (19)
WLAM374CA	3	21 (533)	3/8 (10)	7/8 (22)
WLAM424CA	3-1/2	21 (533)	3/8 (10)	7/8 (22)
WLAM434CA	3-1/2	21 (533)	3/8 (10)	7/8 (22)
WLAM484CA	4	21 (533)	3/8 (10)	7/8 (22)
WLAM604CA	5	21 (533)	3/8 (10)	7/8 (22)
WLAM604DA	5	24 – 1/2 (622)	3/8 (10)	7/8 (22)
WLAM614DA	5	24 – 1/2 (622)	3/8 (10)	7/8 (22)

STANDARD FEATURES

- 1-1/2 thru 5 Tons
- Bolt-on R-410A TXV metering device factory installed on all models (equalizer tube brazed in)
- TXV and manifold positioned to the side for easier cleaning
- Innovative drain pan design for complete water removal
- 2-piece delta plate for easier removal and cleaning
- Cabinet widths match flush with gas furnaces
- Removable front access panel
- Easy slide-out coil for inspection
- Hemmed flanges for safer handling
- Foil faced insulation
- Non-sweat cabinet, even at extreme conditions
- Cabinets meet or exceed 2% air leakage codes
- Sturdy, 22 gauge, pre-painted steel cabinet
- One or two UV light knock-outs provided on cabinet (depending on size)
- Aluminum main tubing and aluminum fins (copper stubs for field connection)
- Multiposition installation – upflow, downflow, or horizontal

LIMITED WARRANTY*

- 5 year parts limited warranty
- With timely registration, an additional 5 year parts limited warranty
- * For residential applications only. See warranty certificate for complete details and restrictions, including warranty coverage for other applications.

Product Specifications

EVAPORATOR COIL MODEL NUMBER IDENTIFICATION GUIDE

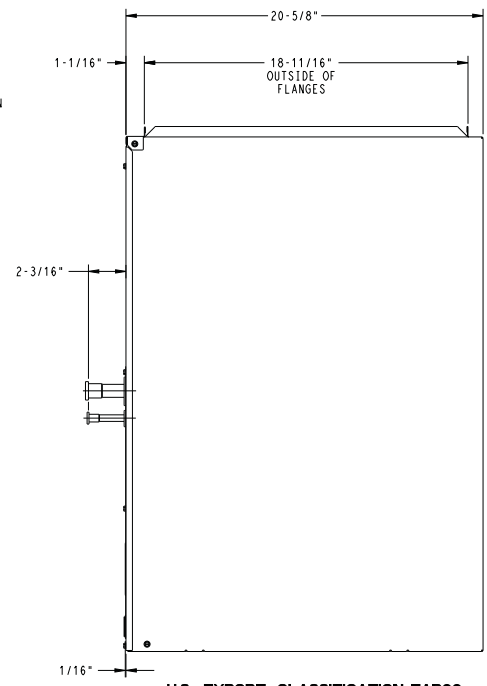
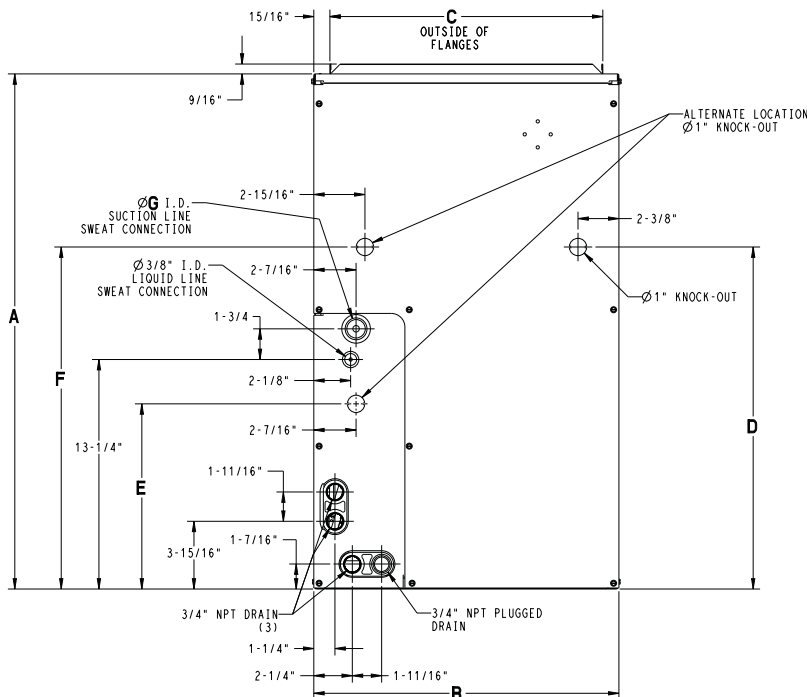
Digit Position:	1, 2	3	4	5, 6	7	8	9	10
	WL	A	M	25	4	B	A	1
WL = Aluminum Evaporator Coil		TYPE						
A = A coil		INSTALLATION TYPE						
M = Multi-position Cased Upflow/Downflow/Horizontal								
18, 19 = 18,000 BTU/hr = 1-1/2 TONS								
24, 25 = 24,000 BTU/hr = 2 TONS								
36, 37 = 36,000 BTU/hr = 3 TONS								
42, 43 = 42,000 BTU/hr = 3-1/2 TONS								
60, 61 = 60,000 BTU/hr = 5 TONS		NOMINAL COOLING CAPACITY						
4 = R-410A				REFRIGERANT				
A = 14-3/16"								
B = 17-1/2"								
C = 21"								
D = 24-1/2"						CABINET WIDTH		
SALES DIGIT								
EXTRA DIGIT								

DIMENSIONAL DATA

UNIT	SERIES	A	B	C	D	E	F	G	SHIPPING WT (LBS)
WLAM184AA1	1	25 13/16"	14 3/16"	12 7/16"	17 3/16"	10 11/16"	—	5/8"	50.5
WLAM194BA1	1	25 13/16"	17 1/2"	15 3/4"	17 3/16"	—	19 3/4"	3/4"	64.5
WLAM244AA1	1	25 13/16"	14 3/16"	12 7/16"	17 3/16"	10 11/16"	—	5/8"	52.5
WLAM244BA1	1	25 13/16"	17 1/2"	15 3/4"	10 11/16"	—	—	5/8"	56.6
WLAM254BA1	1	29 3/4"	17 1/2"	15 3/4"	19 3/4"	—	19 3/4"	3/4"	71.0
WLAM304AA1	1	25 13/16"	14 3/16"	12 7/16"	17 3/16"	—	19 3/4"	3/4"	58.0
WLAM304BA1	1	25 13/16"	17 1/2"	15 3/4"	17 3/16"	—	19 3/4"	3/4"	64.5
WLAM364BA1	1	29 3/4"	14 3/16"	12 7/16"	19 3/4"	—	19 3/4"	3/4"	65.0
WLAM374BA1	1	25 13/16"	17 1/2"	15 3/4"	17 3/16"	—	19 3/4"	3/4"	64.5
WLAM374CA1	1	29 3/4"	21"	19 1/4"	19 3/4"	—	19 3/4"	7/8"	84.0
WLAM424CA1	1	29 3/4"	21"	19 1/4"	19 3/4"	—	19 3/4"	7/8"	78.0
WLAM434CA1	1	29 3/4"	21"	19 1/4"	19 3/4"	—	19 3/4"	7/8"	84.0
WLAM484CA1	1	29 3/4"	21"	19 1/4"	19 3/4"	—	19 3/4"	7/8"	84.0
WLAM604CA1	1	35"	21"	19 1/4"	19 3/4"	—	19 3/4"	7/8"	96.0
WLAM604DA1	1	35"	24 1/2"	22 3/4"	19 3/4"	—	19 3/4"	7/8"	101.0
WLAM614DA1	1	35"	24 1/2"	22 3/4"	19 3/4"	—	19 3/4"	7/8"	101.0

NOTES:

- SERIES NUMBER IS IN THE LAST POSITION OF THE UNIT MODEL NUMBER.
- ALL DIMENSIONS ARE IN "INCHES" UNLESS NOTED.

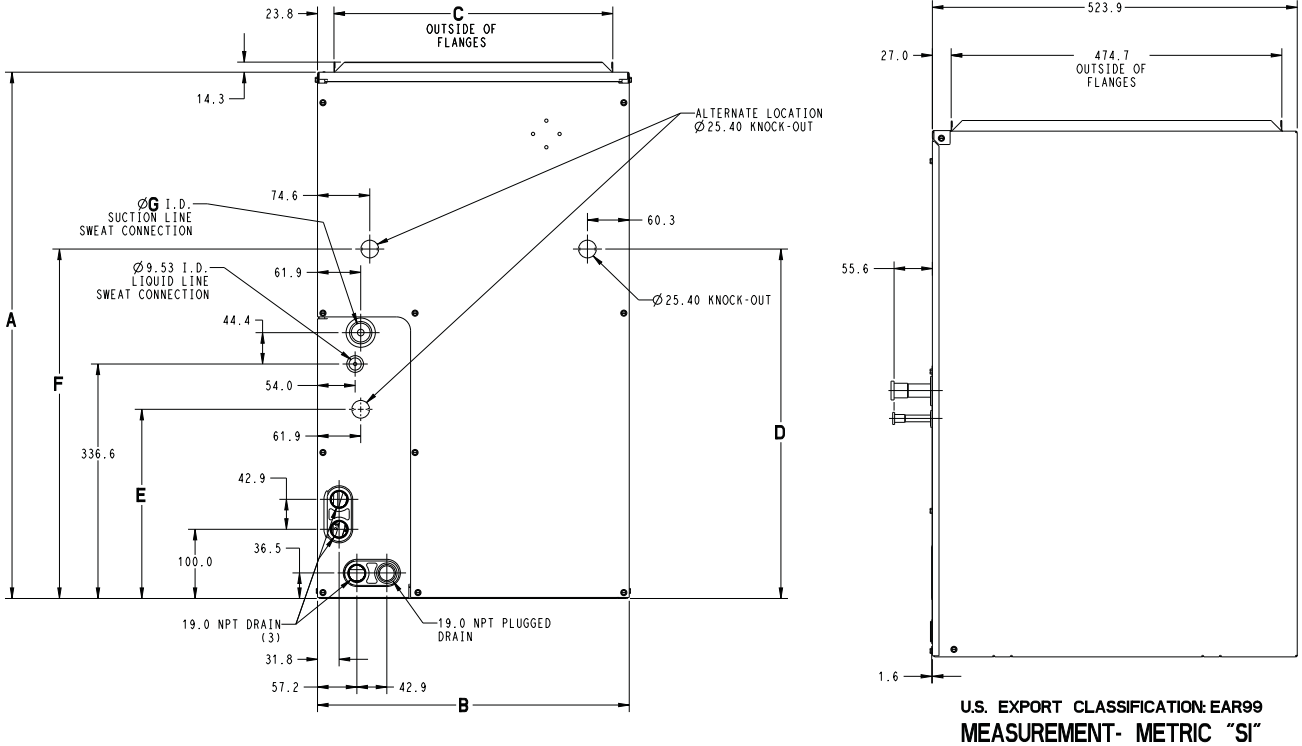


U.S. EXPORT CLASSIFICATION: EAR99
MEASUREMENT- ENGLISH

UNIT	SERIES	A	B	C	D	E	F	G	SHIPPING WT (Kgs)
WLAM184AA1	1	655.6	360.4	315.9	436.6	271.5	—	15.88	22.9
WLAM194BA1	1	655.6	444.5	400.0	436.6	—	501.6	19.05	29.3
WLAM244AA1	1	655.6	360.4	315.9	436.6	271.5	—	15.88	23.8
WLAM244BA1	1	655.6	444.5	400.0	271.5	271.5	—	15.88	25.6
WLAM254BA1	1	755.6	444.5	400.0	501.6	—	501.6	19.05	32.2
WLAM304AA1	1	655.6	360.4	315.9	436.6	—	501.6	19.05	26.3
WLAM304BA1	1	655.6	444.5	400.0	436.6	—	501.6	19.05	29.3
WLAM364BA1	1	755.6	444.5	400.0	501.6	—	501.6	19.05	32.2
WLAM374BA1	1	655.6	444.5	400.0	436.6	—	501.6	19.05	29.3
WLAM374CA1	1	755.6	533.4	489.0	501.6	—	501.6	22.23	38.1
WLAM424CA1	1	755.6	533.4	489.0	501.6	—	501.6	22.23	35.4
WLAM434CA1	1	755.6	533.4	489.0	501.6	—	501.6	22.23	38.1
WLAM484CA1	1	755.6	533.4	489.0	501.6	—	501.6	22.23	38.1
WLAM604CA1	1	889.0	533.4	489.0	501.6	—	501.6	22.23	43.5
WLAM604DA1	1	889.0	622.3	577.8	501.6	—	501.6	22.23	45.8
WLAM614DA1	1	889.0	622.3	577.8	501.6	—	501.6	22.23	45.8

NOTES:

- SERIES NUMBER IS IN THE LAST POSITION OF THE UNIT MODEL NUMBER.
- ALL DIMENSIONS ARE IN "MM" UNLESS NOTED.



U.S. EXPORT CLASSIFICATION: EAR99
MEASUREMENT- METRIC "SI"

SD5260-4 REV B

PERFORMANCE DATA

COOLING CAPACITIES (MBH) - R-410A REFRIGERANT

UNIT SIZE	INDOOR COIL AIR		SATURATED TEMPERATURE LEAVING EVAPORATOR (°F)														
			30			35			40			45			50		
	CFM	EWB	TC	SHC	BF	TC	SHC	BF	TC	SHC	BF	TC	SHC	BF	TC	SHC	BF
184A	450	72 (22)	32.00	15.70	0.00	29.30	14.30	0.00	26.40	12.80	0.00	23.10	11.30	0.00	19.50	9.70	0.01
		67 (19)	26.80	16.10	0.01	24.10	14.60	0.01	21.10	13.10	0.01	17.80	11.50	0.02	14.20	9.90	0.02
		62 (17)	22.10	16.50	0.02	19.30	14.90	0.02	16.40	13.40	0.02	13.20	11.80	0.02	10.30	10.30	0.05
	600	72 (22)	39.20	19.10	0.00	36.00	17.40	0.00	32.30	15.70	0.00	28.30	13.90	0.02	23.80	12.00	0.02
		67 (19)	32.90	19.90	0.03	29.60	18.20	0.03	25.90	16.30	0.03	21.90	14.40	0.03	17.40	12.50	0.03
		62 (17)	27.20	20.60	0.04	23.80	18.80	0.04	20.20	16.90	0.04	16.30	15.00	0.04	13.20	13.20	0.09
	750	72 (22)	45.10	21.90	0.00	41.40	20.10	0.00	37.20	18.20	0.02	32.60	16.10	0.04	27.40	14.00	0.04
		67 (19)	38.00	23.20	0.05	34.20	21.20	0.05	29.90	19.10	0.05	25.20	17.00	0.05	20.00	14.70	0.06
		62 (17)	31.50	24.20	0.06	27.60	22.10	0.06	23.40	20.00	0.06	19.10	17.90	0.06	15.70	15.70	0.13
194B	450	72 (22)	33.57	18.66	0.00	31.02	17.08	0.00	28.19	15.44	0.00	25.03	13.74	0.00	21.50	11.99	0.00
		67 (19)	28.12	18.76	0.00	25.51	17.13	0.00	22.63	15.44	0.00	19.41	13.70	0.00	15.70	11.85	0.00
		62 (17)	23.21	18.82	0.00	20.55	17.14	0.00	17.55	15.38	0.00	14.16	13.53	0.00	10.75	10.75	0.00
	600	72 (22)	42.86	23.54	0.00	39.66	21.61	0.00	36.05	19.58	0.00	32.00	17.44	0.00	27.44	15.21	0.00
		67 (19)	35.94	23.88	0.00	32.64	21.86	0.00	28.94	19.74	0.00	24.78	17.52	0.00	20.12	15.22	0.00
		62 (17)	29.69	24.13	0.00	26.29	22.02	0.00	22.49	19.82	0.00	18.20	17.50	0.00	13.85	13.85	0.00
	750	72 (22)	51.17	27.85	0.00	47.40	25.65	0.00	43.14	23.30	0.00	38.30	20.81	0.00	32.83	18.18	0.00
		67 (19)	42.99	28.53	0.00	39.08	26.19	0.00	34.67	23.71	0.00	29.68	21.10	0.00	24.05	18.35	0.00
		62 (17)	35.55	29.06	0.00	31.51	26.60	0.00	26.96	24.00	0.00	21.89	21.28	0.00	16.92	16.92	0.00

— Continued on next page —

PERFORMANCE DATA

COOLING CAPACITIES (MBH) – R-410A REFRIGERANT

UNIT SIZE	INDOOR COIL AIR		SATURATED TEMPERATURE LEAVING EVAPORATOR (°F)														
	CFM	EWB	30			35			40			45			50		
			TC	SHC	BF	TC	SHC	BF	TC	SHC	BF	TC	SHC	BF	TC	SHC	BF
244A 244B	600	72 (22)	39.40	19.20	0.00	36.30	17.60	0.00	32.80	15.90	0.00	28.90	14.10	0.00	24.50	12.20	0.01
		67 (19)	33.10	20.00	0.01	29.90	18.20	0.01	26.30	16.40	0.01	22.40	14.50	0.02	17.90	12.60	0.02
		62 (17)	27.40	20.50	0.02	24.10	18.70	0.02	20.50	16.90	0.02	16.60	15.00	0.02	13.10	13.10	0.05
	800	72 (22)	47.70	23.20	0.00	44.00	21.40	0.00	39.80	19.40	0.00	35.10	17.30	0.02	19.80	15.10	0.02
		67 (19)	40.30	24.50	0.03	36.40	22.50	0.03	32.10	20.40	0.03	27.30	18.10	0.03	21.80	15.80	0.03
		62 (17)	33.40	25.50	0.04	29.50	23.40	0.04	25.10	21.20	0.04	20.50	19.00	0.04	16.70	16.70	0.09
	1000	72 (22)	54.30	26.40	0.00	50.20	24.40	0.00	45.40	22.30	0.02	40.10	20.00	0.04	34.00	17.50	0.04
		67 (19)	46.00	28.20	0.05	41.70	26.10	0.05	36.80	23.70	0.05	31.20	21.20	0.05	25.00	18.60	0.05
		62 (17)	38.30	29.80	0.05	33.80	27.50	0.06	28.90	25.10	0.06	23.80	22.60	0.06	19.90	19.90	0.14
254B	600	72 (22)	62.57	31.59	0.00	57.94	29.03	0.00	52.74	26.32	0.00	46.87	23.47	0.00	40.26	20.49	0.00
		67 (19)	52.49	32.04	0.00	47.71	29.35	0.00	42.35	26.53	0.00	36.33	23.57	0.00	29.57	20.49	0.00
		62 (17)	43.37	32.39	0.00	38.45	29.58	0.00	32.95	26.63	0.00	26.73	23.54	0.00	20.26	20.26	0.00
	800	72 (22)	78.59	39.22	0.00	72.92	36.20	0.00	66.47	32.95	0.00	59.11	29.48	0.00	50.76	25.80	0.00
		67 (19)	66.08	40.30	0.00	60.18	37.08	0.00	53.48	33.63	0.00	45.88	29.97	0.00	37.27	26.11	0.00
		62 (17)	54.71	41.16	0.00	48.58	37.74	0.00	41.65	34.10	0.00	33.87	30.28	0.00	26.26	26.26	0.00
	1000	72 (22)	92.27	45.67	0.00	85.78	42.35	0.00	78.32	38.73	0.00	69.75	34.80	0.00	59.94	30.58	0.00
		67 (19)	77.81	47.56	0.00	70.99	43.94	0.00	63.20	40.04	0.00	54.28	35.83	0.00	44.08	31.34	0.00
		62 (17)	64.59	49.11	0.00	57.46	45.22	0.00	49.36	41.05	0.00	40.28	36.63	0.00	31.96	31.96	0.00
304A 304B	750	72 (22)	49.10	24.00	0.00	45.00	21.90	0.00	40.50	19.70	0.00	35.50	17.40	0.00	30.00	15.00	0.01
		67 (19)	41.20	24.80	0.01	37.00	22.50	0.02	32.40	20.20	0.02	27.40	17.80	0.02	21.90	15.30	0.02
		62 (17)	34.00	25.40	0.02	29.70	23.00	0.02	25.10	20.60	0.02	20.30	18.30	0.02	16.00	16.00	0.06
	1000	72 (22)	59.90	29.10	0.00	55.00	26.70	0.00	49.50	24.10	0.00	43.30	21.30	0.02	36.50	18.40	0.03
		67 (19)	50.40	30.50	0.03	45.30	27.90	0.04	39.70	25.10	0.04	33.50	22.20	0.04	26.70	19.20	0.04
		62 (17)	41.70	31.60	0.04	36.50	28.80	0.04	30.90	26.00	0.04	25.00	23.10	0.05	20.30	20.30	0.10
	1250	72 (22)	68.80	33.40	0.00	63.20	30.70	0.00	56.80	27.80	0.03	49.70	24.70	0.04	41.90	21.40	0.05
		67 (19)	58.00	35.40	0.06	52.20	32.40	0.06	45.70	29.30	0.06	38.50	26.00	0.06	30.60	22.60	0.07
		62 (17)	48.00	37.00	0.07	42.10	33.90	0.07	35.70	30.70	0.07	29.20	27.50	0.07	24.20	24.20	0.01
364B	900	72 (22)	60.30	29.40	0.00	55.40	26.90	0.00	49.90	24.30	0.00	43.80	21.50	0.01	37.00	18.60	0.02
		67 (19)	50.70	30.60	0.02	45.70	27.90	0.03	40.10	25.10	0.03	33.90	22.20	0.03	27.00	19.20	0.03
		62 (17)	41.90	31.50	0.03	36.70	28.70	0.03	31.10	25.80	0.03	25.10	22.90	0.04	20.00	20.00	0.08
	1200	72 (22)	72.40	35.10	0.00	66.50	32.30	0.00	59.90	29.30	0.02	52.50	26.00	0.04	44.30	22.60	0.05
		67 (19)	61.00	37.10	0.05	55.00	34.00	0.06	48.20	30.70	0.06	40.70	27.30	0.06	32.40	23.70	0.06
		62 (17)	50.50	38.80	0.06	44.30	35.50	0.06	37.60	32.10	0.06	30.60	28.70	0.07	25.20	25.20	0.13
	1500	72 (22)	82.20	39.90	0.00	75.60	36.90	0.02	68.10	33.50	0.05	59.70	29.90	0.07	50.40	26.10	0.08
		67 (19)	69.40	42.70	0.08	62.60	39.30	0.08	55.00	35.70	0.08	46.40	31.80	0.09	37.00	27.80	0.09
		62 (17)	57.70	45.10	0.09	50.70	41.40	0.09	43.10	37.70	0.09	35.50	34.00	0.10	29.80	29.80	0.18
374B	900	72 (22)	85.28	42.35	0.00	79.12	39.14	0.00	72.10	35.69	0.00	64.07	31.97	0.00	54.91	28.01	0.00
		67 (19)	71.79	43.83	0.00	65.36	40.38	0.00	58.05	36.68	0.00	49.72	32.73	0.00	40.25	28.53	0.00
		62 (17)	59.49	45.02	0.00	52.78	41.34	0.00	45.22	37.41	0.00	36.79	33.30	0.00	29.00	29.00	0.00
	1200	72 (22)	103.16	50.79	0.00	96.02	47.29	0.00	87.71	43.41	0.00	78.05	39.13	0.00	66.94	34.47	0.00
		67 (19)	87.21	53.61	0.00	79.64	49.72	0.00	70.90	45.46	0.00	60.82	40.81	0.00	49.25	35.81	0.00
		62 (17)	72.54	55.95	0.00	64.59	51.72	0.00	55.57	47.16	0.00	45.56	42.32	0.00	37.10	37.10	0.00
	1500	72 (22)	117.25	57.62	0.00	109.35	53.95	0.00	100.10	49.80	0.00	89.30	45.15	0.00	76.74	40.02	0.00
		67 (19)	99.48	61.84	0.00	91.07	57.69	0.00	81.29	53.07	0.00	69.87	47.93	0.00	56.68	42.33	0.00
		62 (17)	83.06	65.49	0.00	74.20	60.91	0.00	64.12	55.91	0.00	53.03	50.53	0.00	44.30	44.30	0.00
374C	900	72 (22)	85.95	42.71	0.00	79.93	39.56	0.00	73.00	36.12	0.00	65.04	32.41	0.00	55.96	28.45	0.00
		67 (19)	72.40	44.18	0.00	66.07	40.77	0.00	58.86	37.09	0.00	50.60	33.15	0.00	41.19	28.96	0.00
		62 (17)	60.05	45.37	0.00	53.44	41.72	0.00	45.92	37.80	0.00	37.44	33.65	0.00	29.27	29.27	0.00
	1200	72 (22)	104.44	51.43	0.00	97.39	47.95	0.00	89.16	44.08	0.00	79.65	39.82	0.00	68.66	35.19	0.00
		67 (19)	88.33	54.23	0.00	80.87	50.38	0.00	72.22	46.13	0.00	62.25	41.51	0.00	50.73	36.50	0.00
		62 (17)	73.55	56.59	0.00	65.68	52.38	0.00	56.68	47.81	0.00	46.52	42.91	0.00	37.58	37.58	0.00
	1500	72 (22)	119.03	58.46	0.00	111.23	54.81	0.00	102.13	50.71	0.00	91.48	46.10	0.00	79.08	41.02	0.00
		67 (19)	101.06	62.72	0.00	92.78	58.61	0.00	83.14	54.04	0.00	71.83	48.94	0.00	58.67	43.32	0.00
		62 (17)	84.48	66.42	0.00	75.74	61.89	0.00	65.66	56.88	0.00	0.00	0.00	0.00	0.00	0.00	0.00
424C	1050	72 (22)	75.00	36.40	0.00	69.30	33.70	0.00	62.60	30.60	0.01	55.10	27.40	0.02	46.90	24.00	0.03
		67 (19)	63.30	38.80	0.03	57.20	35.70	0.03	50.50	32.50	0.03	42.90	29.00	0.04	33.50	25.00	0.04
		62 (17)	52.60	40.80	0.04	46.40	37.60	0.04	39.50	34.10	0.04	32.00	30.40	0.05	26.40	26.40	0.14
	1400	72 (22)	87.10	42.50	0.00	80.60	39.50	0.03	73.00	36.20	0.04	64.20	32.50	0.01	54.40	28.60	0.06
		67 (19)	73.80	46.10	0.06	66.90	42.70	0.06	58.90	39.00	0.07	50.10	35.20	0.07	40.00	30.90	0.07
		62 (17)	61.40	49.30	0.07	54.40	45.70	0.07	46.90	42.10	0.07	39.00	38.10	0.09	33.00	33.00	0.19
	1750	72 (22)	96.50	47.40	0.05	89.50	44.30	0.07	81.30	40.80	0.07	71.70	36.90	0.08	60.50	32.60	0.09
		67 (19)	82.10	52.30	0.09	74.60	48.80	0.09	65.90	44.90	0.09	55.90	40.60	0.09	45.10	36.20	0.10
		62 (17)	68.60	56.80	0.10	61.00	53.10	0.10	52.90	49.10	0.10	44.90	44.90	0.12	38.70	38.70	0.24

— Continued on next page —

See Legend and Notes on Page 5.

PERFORMANCE DATA (CONT.)

COOLING CAPACITIES (MBH) – R-410A REFRIGERANT

UNIT SIZE	INDOOR COIL AIR		SATURATED TEMPERATURE LEAVING EVAPORATOR (°F)														
			30			35			40			45			50		
	CFM	EWB	TC	SHC	BF	TC	SHC	BF	TC	SHC	BF	TC	SHC	BF	TC	SHC	BF
434C	1050	72 (22)	95.75	47.32	0.00	89.15	43.98	0.00	81.55	40.30	0.00	72.72	36.27	0.00	62.64	31.95	0.00
		67 (19)	80.81	49.43	0.00	73.87	45.77	0.00	65.88	41.78	0.00	56.71	37.46	0.00	46.18	32.83	0.00
		62 (17)	67.16	51.17	0.00	59.87	47.21	0.00	51.54	42.93	0.00	42.14	38.37	0.00	33.49	33.49	0.00
	1400	72 (22)	114.53	56.27	0.00	106.97	52.67	0.00	98.10	48.62	0.00	87.81	44.12	0.00	75.84	39.17	0.00
		67 (19)	97.13	60.04	0.00	89.08	55.99	0.00	79.75	51.52	0.00	68.84	46.55	0.00	56.19	41.13	0.00
		62 (17)	81.09	63.28	0.00	72.60	58.83	0.00	62.86	53.96	0.00	51.93	48.71	0.00	42.81	42.81	0.00
	1750	72 (22)	128.85	63.40	0.00	120.65	59.68	0.00	111.06	55.46	0.00	99.69	50.67	0.00	86.32	45.29	0.00
		67 (19)	109.76	68.90	0.00	101.01	64.69	0.00	90.69	59.91	0.00	78.53	54.53	0.00	64.28	48.54	0.00
		62 (17)	92.05	73.79	0.00	82.77	69.09	0.00	72.04	63.83	0.00	60.16	58.07	0.00	51.02	51.02	0.00
484C	1200	72 (22)	83.40	40.60	0.00	76.70	37.20	0.00	69.30	33.60	0.00	60.90	29.80	0.01	51.70	25.80	0.02
		67 (19)	70.10	42.30	0.02	63.20	38.60	0.03	55.60	34.80	0.03	47.20	30.80	0.04	37.80	26.60	0.04
		62 (17)	57.90	43.50	0.04	50.90	39.70	0.04	43.20	35.70	0.04	34.90	31.70	0.04	27.70	27.70	0.08
	1600	72 (22)	100.80	48.90	0.00	92.80	45.10	0.00	83.80	40.90	0.01	73.80	36.40	0.04	62.50	31.70	0.05
		67 (19)	84.90	51.70	0.05	76.70	47.40	0.06	67.50	42.90	0.06	57.30	38.10	0.06	45.90	33.20	0.06
		62 (17)	70.40	53.90	0.06	62.00	49.30	0.06	52.60	44.60	0.07	42.80	39.90	0.07	35.00	35.00	0.01
	2000	72 (22)	114.70	55.70	0.00	105.70	51.60	0.00	95.60	47.00	0.05	84.20	42.00	0.07	71.40	36.70	0.08
		67 (19)	97.00	59.50	0.08	87.70	54.90	0.08	77.30	49.90	0.09	65.60	44.60	0.09	52.50	39.00	0.09
		62 (17)	80.60	62.80	0.09	71.00	57.70	0.09	60.50	52.50	0.09	49.60	47.20	0.10	41.30	41.30	0.18
604C 604D	1600	72 (22)	109.20	53.40	0.00	100.00	48.60	0.00	89.90	43.60	0.00	78.60	38.50	0.00	66.40	33.10	0.02
		67 (19)	91.50	55.10	0.02	82.10	50.00	0.03	71.90	44.80	0.03	60.70	39.40	0.03	48.40	34.00	0.03
		62 (17)	75.40	56.30	0.03	65.90	51.00	0.03	55.60	45.70	0.04	44.80	40.40	0.04	35.30	35.30	0.07
	2000	72 (22)	128.00	62.52	0.00	117.20	56.90	0.00	105.20	51.20	0.00	92.00	45.20	0.02	77.50	39.10	0.04
		67 (19)	107.40	64.90	0.04	96.40	59.10	0.04	84.30	53.00	0.05	71.10	46.80	0.05	56.60	40.50	0.05
		62 (17)	88.60	66.90	0.05	77.50	60.80	0.05	65.30	54.60	0.05	52.70	48.50	0.06	42.40	42.40	0.11
	2400	72 (22)	144.20	70.00	0.00	132.10	64.20	0.00	118.50	57.90	0.01	103.60	51.20	0.04	87.20	44.30	0.06
		67 (19)	121.20	73.60	0.06	108.80	67.20	0.06	95.10	60.40	0.07	80.10	53.50	0.07	63.70	46.40	0.07
		62 (17)	100.10	76.40	0.07	87.50	69.60	0.07	73.80	62.70	0.07	59.80	56.00	0.08	48.90	48.90	0.14
61D	1600	72 (22)	133.10	65.29	0.00	124.38	61.09	0.00	114.12	56.35	0.00	102.04	51.04	0.00	87.92	45.18	0.00
		67 (19)	112.92	69.55	0.00	103.56	64.81	0.00	92.62	59.52	0.00	79.80	53.65	0.00	64.92	47.24	0.00
		62 (17)	94.29	73.16	0.00	84.32	67.90	0.00	72.85	62.14	0.00	59.93	55.91	0.00	48.98	48.98	0.00
	2000	72 (22)	150.19	73.70	0.00	140.73	69.39	0.00	129.45	64.43	0.00	116.13	58.76	0.00	100.38	52.39	0.00
		67 (19)	127.98	79.99	0.00	117.77	75.03	0.00	105.67	69.38	0.00	91.36	63.01	0.00	74.55	55.91	0.00
		62 (17)	107.36	85.50	0.00	96.47	79.93	0.00	83.81	73.69	0.00	69.74	66.88	0.00	58.70	58.70	0.00
	2400	72 (22)	163.45	80.69	0.00	153.55	76.31	0.00	141.65	71.22	0.00	127.40	65.35	0.00	110.42	58.64	0.00
		67 (19)	139.86	88.99	0.00	129.06	83.92	0.00	116.15	78.06	0.00	100.72	71.35	0.00	82.51	63.78	0.00
		62 (17)	117.85	96.47	0.00	106.33	90.72	0.00	92.96	84.20	0.00	78.33	76.91	0.00	67.38	67.38	0.00

See Legend and Notes.

Legend:

CFM – Cubic Ft. per Minute **EWB** – Entering Wet Bulb (°F) **LWB** – Leaving Wet Bulb (°F) **TC** – Gross Cooling Capacity 1000 Btuh
SHC – Gross Sensible Capacity 1000 Btuh **BF** – Bypass Factor **MBH** – 1000 Btuh

NOTES:

- Contact manufacturer for cooling capacities at conditions other than shown in table.
- Formulas:
 Leaving db = entering db – $\frac{\text{sensible heat cap.}}{1.09 \times \text{CFM}}$
 Leaving wb = wb corresponding to enthalpy of air leaving coil (h_{LWB})

$$h_{LWB} = h_{EWB} - \frac{\text{total capacity (Btuh)}}{4.5 \times \text{CFM}}$$
 Where h_{EWB} = enthalpy of air entering coil
- SHC is based on 80°F db temperature of air entering the evaporator coil.
 Below 80°F db, subtract (Correction Factor x CFM) from SHC.
 Above 80°F db, add (Correction Factor x CFM) to SHC.
- Direct interpolation is permissible. Do not extrapolate.
- Fan motor heat has not been deducted.
- All data points are based on 10°F superheat leaving coil and use of thermostatic expansion valve (TXV) device.
- All units have sweat suction-tube connection and a liquid-tube connection. For 1-1/8 in. system suction tube, 3/4 x 1-1/8 in. suction tube connection adapter is available as accessory.
- The coils can be used in any properly designed system using Refrigerant R-410A.
- Before using maximum cfm shown in table, check coil static pressure drop to ensure system blower can provide necessary static pressure needed for coil and duct systems.
- Bypass Factor = 0 indicates no psychrometric solution. Use bypass factor of next lower EWB for approximation.

BYPASS FACTOR	ENTERING AIR DRY BULB TEMPERATURE (°F)					
	79	78	77	76	75	Under 75
	81	82	83	84	84	Above 85
	Correction Factor					
0.10	0.98	1.96	2.94	3.92	4.91	Use formula shown below
0.20	0.87	1.74	2.62	3.49	4.36	
0.30	0.76	1.53	2.29	3.05	3.82	

Interpolation is permissible.

Correction Factor = $1.09 \times (1 - BF) \times (db - 80)$

COIL STATIC PRESSURE DROP (in. w.c.) R-410A

UNIT SIZE	STANDARD CFM																								
	400	500	600	700	800	900	1000	1100	1200	1300	1400	1500	1600	1700	1800	1900	2000	2100	2200						
184A	Dry																								
	0.079	0.111	0.145	0.186	0.232																				
	Wet																								
1917	0.083	0.116	0.151	0.196	0.243																				
	Dry																								
	0.077	0.099	0.124	0.152	0.182																				
244A	Wet																								
	0.088	0.113	0.137	0.170	0.209																				
	Dry																								
244B	0.065	0.091	0.120	0.154	0.194	0.237	0.284																		
	Wet																								
	0.066	0.094	0.124	0.161	0.203	0.250	0.301																		
2517	Dry																								
	0.056	0.076	0.097	0.123	0.151	0.182	0.215																		
	Wet																								
304A	0.060	0.082	0.105	0.132	0.163	0.195	0.231																		
	Dry																								
	0.069	0.090	0.111	0.136	0.165	0.193	0.227																		
304B	Wet																								
	0.071	0.090	0.113	0.136	0.164	0.196	0.229																		
	Dry																								
364B	0.054	0.077	0.102	0.133	0.167	0.206	0.248	0.296	0.347																
	Wet																								
	0.059	0.084	0.111	0.142	0.181	0.223	0.269	0.319	0.375																
374B	Dry																								
	0.043	0.059	0.077	0.096	0.119	0.144	0.171	0.201	0.232																
	Wet																								
374C	0.046	0.063	0.083	0.105	0.130	0.157	0.186	0.219	0.252																
	Dry																								
	0.023	0.036	0.052	0.069	0.089	0.110	0.135	0.160	0.189	0.219	0.251														
424C	Wet																								
	0.042	0.058	0.076	0.095	0.117	0.142	0.169	0.198	0.231	0.265	0.299														
	Dry																								
434C	0.077	0.099	0.124	0.152	0.182	0.216	0.253	0.294	0.338																
	Wet																								
	0.088	0.113	0.137	0.170	0.209	0.247	0.287	0.326	0.368																
604C	Dry																								
			0.059	0.073	0.090	0.111	0.135	0.162	0.191	0.222	0.254														
	Wet																								
604D			0.073	0.096	0.120	0.147	0.176	0.207	0.240	0.276	0.314														
	Dry																								
			0.044	0.056	0.068	0.082	0.099	0.119	0.138	0.161	0.183	0.205	0.233												
614D	Wet																								
			0.058	0.073	0.089	0.106	0.125	0.143	0.165	0.189	0.213	0.239	0.268												
	Dry																								
614D			0.059	0.073	0.090	0.111	0.135	0.162	0.191	0.222	0.254	0.288	0.323												
	Wet																								
			0.073	0.096	0.120	0.147	0.176	0.207	0.240	0.276	0.314	0.354	0.396												
614D	Dry																								
			0.055	0.072	0.089	0.107	0.128	0.150	0.175	0.199	0.228	0.257	0.288	0.321	0.356										
	Wet																								
614D			0.058	0.075	0.094	0.115	0.136	0.161	0.188	0.217	0.247	0.279	0.313	0.347	0.386										
	Dry																								
						0.075	0.093	0.112	0.133	0.157	0.181	0.206	0.234	0.264	0.294	0.326	0.360	0.396	0.432	0.478					
614D	Wet																								
						0.077	0.095	0.115	0.137	0.159	0.184	0.209	0.238	0.268	0.300	0.334	0.370	0.407	0.444	0.488					
	Dry																								
614D						0.073	0.083	0.095	0.107	0.120	0.136	0.152	0.169	0.184	0.203	0.217	0.238	0.260	0.283	0.307					
	Wet																								
						0.076	0.086	0.098	0.110	0.124	0.140	0.157	0.175	0.193	0.215	0.238	0.261	0.286	0.314	0.342					
614D	Dry																								
						0.099	0.113	0.127	0.144	0.162	0.182	0.203	0.227	0.252	0.279	0.307	0.337	0.369	0.403						
	Wet																								
614D						0.118	0.140	0.163	0.187	0.213	0.239	0.266	0.295	0.325	0.355	0.387	0.420	0.454	0.489						