

R6GD Series

Single Packaged Gas/Electric Units 13/14 SEER, R-410A 2 Ton thru 5 Ton Units

The R6GD Series single packaged gas/electrics are high efficiency self contained cooling units that can be installed on the roof or on a slab. The convertible unit design makes installations simple in all applications. Units are ETL and ETLc listed.



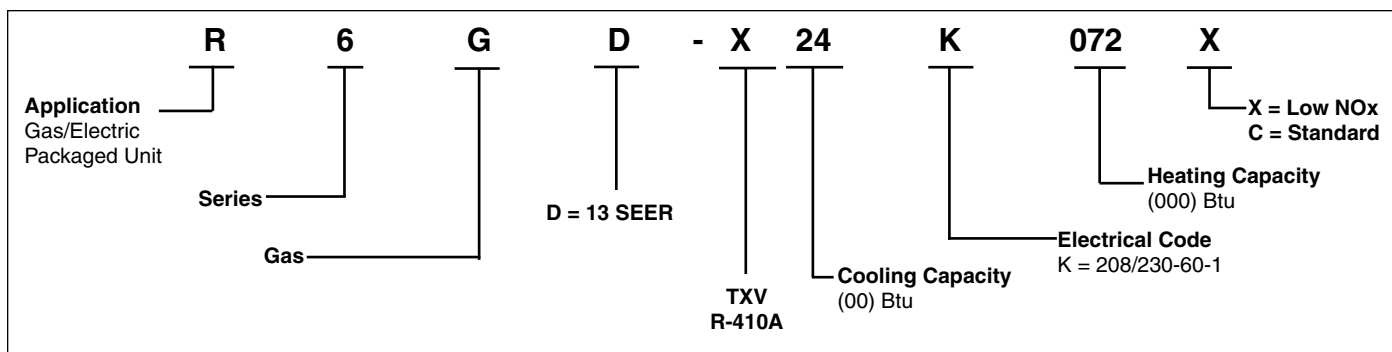
WARRANTY

- This product offers a 10 year All Parts Warranty.
- This product offers a 10 year Quality Pledge to replace the entire unit, if the unit's major component (heat exchanger or compressor) fails within the first 10 years of operation, to the original owner.
- Consumer product registration required for both 10 year All Parts Warranty and Quality Pledge within a limited period of time after the installation. See current warranty document or visit our consumer web site listed on the back of this document for warranty details.

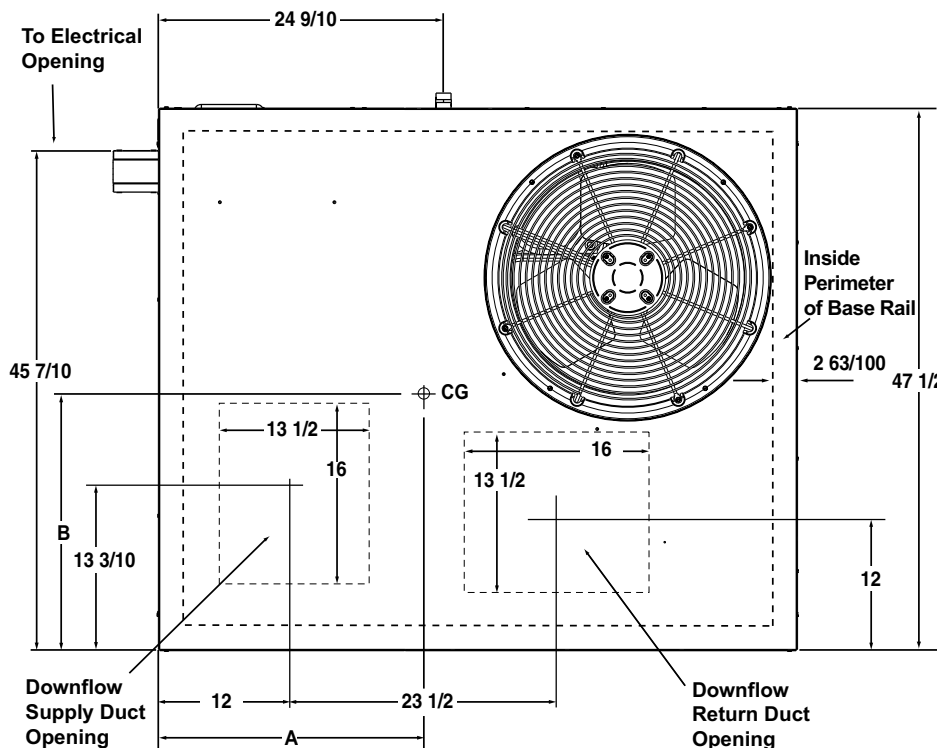
FEATURES and BENEFITS

- **Compact Footprint/Low Profile:** Easy to handle and transport.
- **Heavy-Gauge Full Perimeter Base Rails:** Facilitates forklift handling and curb mounting.
- **Convertible Air Delivery:** Horizontal or downflow to accommodate rooftop or horizontal application.
- **Galvanized Steel Cabinet:** Polyurethane finish provides 950 hour salt spray protection to resist corrosion.
- **Wire Guard Coated with Earth Friendly Epoxy and Mesh Hail Guard:** Will never rust and protect the coil from being damaged by balls, lawnmowers, hail etc.
- **Accessible Hi Flow Service Ports:** Quick access to refrigerant system without disrupting operation.
- **Access to Controls and Major Components:** Easy in and out service.
- **R-410A Refrigerant:** Environmentally friendly.
- **Corrosion-Resistant Drain Pan:** Quickly drains away evaporator condensate.
- **Smaller Panels, Great Fit and Finish, Total Seal:** Well-designed, quality construction. Drip edge on top panels whisks away rainwater. Embossed bottom pan keeps blower component compartment dry.
- **Proven, Industry Standard Components:** Easier service and availability.
- **Quiet Operation:** Low vibration. 20" fan blade combined with custom venturi condenser fan.
- **High/Low Pressure Switch:** Added compressor protection.

MODEL IDENTIFICATION CODE



DIMENSIONS

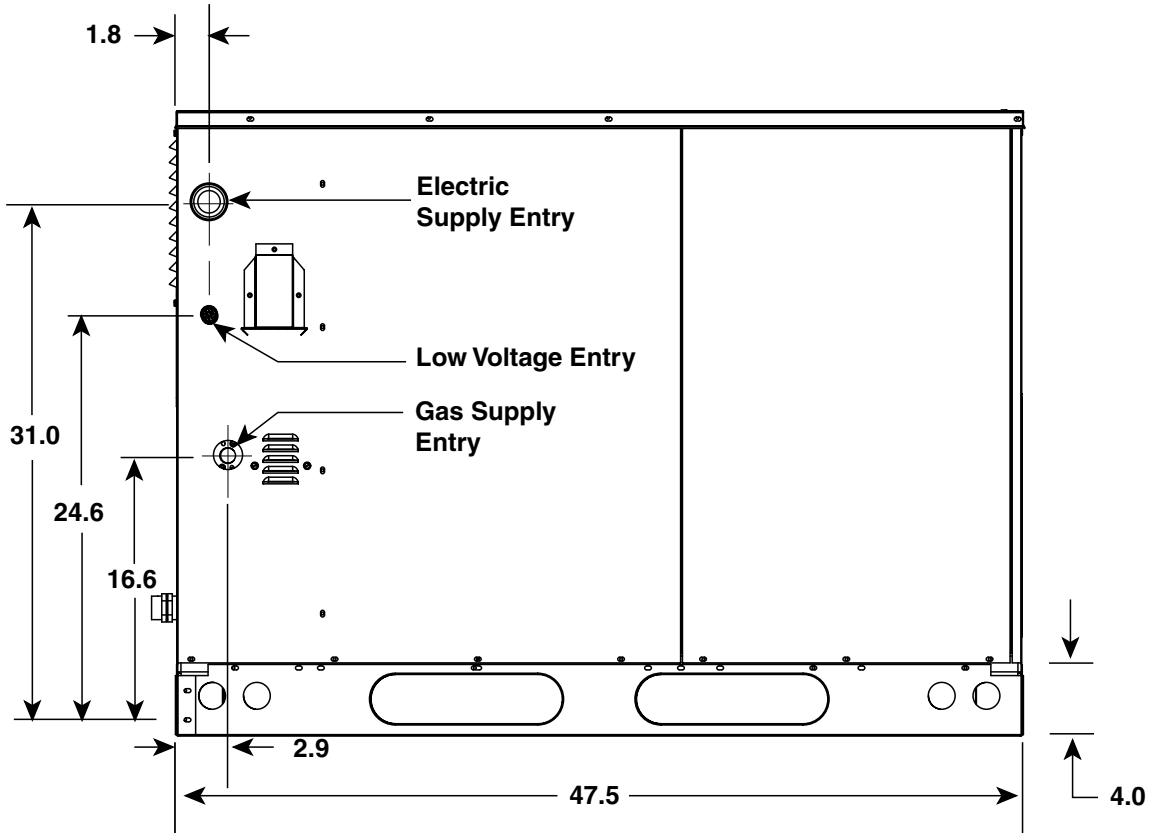


Top View

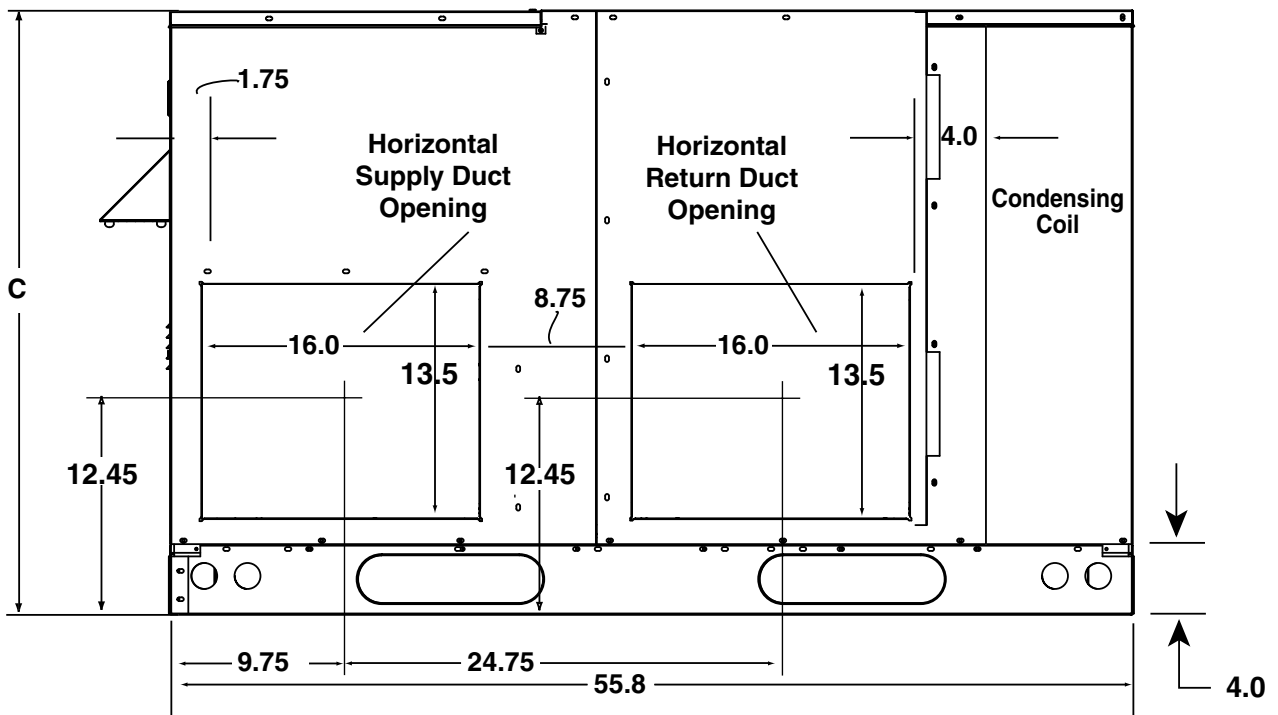
Model Number R6GD	Unit Weight	Shipping Weight	Center of Gravity		Height (in inches)	
			A	B	C	
					with base rails	without base rails
X24K045†	425	435	26.5	26.5	39.0	35.3
X24K072†	435	445	26.0	26.5	39.0	35.3
X30K045†	430	440	26.5	26.5	39.0	35.3
X30K072†	440	450	26.0	26.5	39.0	35.3
X36K072†	470	480	26.5	26.5	39.0	35.3
X36K096†	485	495	26.0	26.5	39.0	35.3
X42K072†	500	510	27.0	26.5	39.0	35.3
X42K096†	515	525	27.0	26.5	39.0	35.3
X48K096†	540	550	27.5	26.5	43.0	39.3
X48K120†	555	565	27.5	26.5	43.0	39.3
X60K096†	560	570	27.5	26.5	43.0	39.3
X60K120†	575	585	27.5	26.5	43.0	39.3

† Denotes either "C" or "X"

DIMENSIONS (Continued)



Side View



Back View

SPECIFICATIONS AND ELECTRICAL DATA

SINGLE PHASE

MODEL R6GD	-X24K045(*)	-X24K072(*)	-X30K045(*)	-X30K072(*)	-X36K072(*)	-X36K096(*)	-X42K72(*)	-X42K96(*)	-X48K96(*)	-X48K120(*)	-X60K096(*)	-X60K120(*)
Performance												
Heating Input Btuh	45,000	72,000	45,000	72,000	72,000	96,000	72,000	96,000	96,000	120,000	96,000	120,000
Heating Output Btuh	35,100	57,600	35,100	57,600	57,600	76,800	57,600	76,800	76,800	96,000	76,800	96,000
Capacity-Cooling Btuh	24,000	24,000	28,400	28,400	36,000	36,000	42,000	42,000	47,800	47,800	56,500	56,500
AFUE	78	80	78	80	80	80	80	80	80	80	80	80
Efficiency -- SEER	13.5	13.5	14.0	14.0	14.0	14.0	13.0	13.0	13.0	13.0	13.0	13.0
Efficiency -- EER	12.0	12.0	12.0	12.0	12.0	12.0	10.8	10.8	11.0	11.0	11.0	11.0
Electrical Rating - 60 Hz												
Phase	1	1	1	1	1	1	1	1	1	1	1	1
Operating Voltage Range	187 - 253	187 - 253	187 - 253	187 - 253	187 - 253	187 - 253	187 - 253	187 - 253	187 - 253	187 - 253	187 - 253	187 - 253
Minimum Circuit Ampacity	22.7	22.7	26.3	26.3	29.9	29.9	36.2	36.2	39.0	39.0	46.8	46.8
Max. Overcurrent Protection	35	35	40	40	45	45	50	50	60	60	70	70
Compressor Data												
Volts	208 / 230	208 / 230	208 / 230	208 / 230	208 / 230	208 / 230	208 / 230	208 / 230	208 / 230	208 / 230	208 / 230	208 / 230
Rated Load Amps	12.8	12.8	15.7	15.7	18.6	18.6	22.1	22.1	24.3	24.3	29.3	29.3
Lock Rotor Amps	58.3	58.3	73	73	79	79	109	109	117	117	134	134
Indoor Blower												
Wheel Diameter	10 x 10	10 x 10	10 x 10	10 x 10	10 x 10	10 x 10	10 x 10	10 x 10	10 x 10	10 x 10	11 x 10	11 x 10
Motor Type	Fixed Torque	Fixed Torque	Fixed Torque	Fixed Torque	Fixed Torque	Fixed Torque	Fixed Torque	Fixed Torque	Fixed Torque	Fixed Torque	Fixed Torque	Fixed Torque
Motor HP	1/2	1/2	1/2	1/2	1/2	1/2	3/4	3/4	3/4	3/4	1	1
Motor Amps	4.1	4.1	4.1	4.1	4.1	4.1	6.0	6.0	6.0	6.0	7.6	7.6
Outdoor Fan												
Motor HP	1/4	1/4	1/4	1/4	1/4	1/4	1/4	1/4	1/4	1/4	1/4	1/4
Motor Amps	1.2	1.2	1.2	1.2	1.2	1.2	1.2	1.2	1.2	1.2	1.2	1.2
Fan Diameter/CFM	20" / 3800	20" / 3800	20" / 3800	20" / 3800	20" / 3800	20" / 3800	20" / 3800	20" / 3800	20" / 3800	20" / 3800	20" / 3800	20" / 3800
Refrigerant Charge (oz)	99.2	99.2	96	96	112	112	115.2	115.2	224	224	184	184

AIRFLOW DATA

Model Number	Heating Input (Btu/h)	Heating Output (Btu/h)	Heating Rise Range (F)	Cooling Output (Btu/h)	Blower Size	Motor HP	Motor Tap	External Static Pressure Drop - inches water column																
								0.1		0.2		0.3		0.4		0.5		0.6		0.7		0.8		
								(cfm)	(°F) Rise	(cfm)	(°F) Rise	(cfm)	(°F) Rise	(cfm)	(°F) Rise	(cfm)	(°F) Rise	(cfm)	(°F) Rise	(cfm)	(°F) Rise	(cfm)	(°F) Rise	
R6GD-							Tap T1	845	38.46	735	44.22	625	52.00	540	45.3	335	-	217	-	207	-			
								*Tap T2	845	38.46	735	44.22	625	52.00	540	45.3	335	-	217	-	207	-		
								**Tap T3	905	35.91	830	39.16	750	43.33	690	47.10	635	51.18	575	56.52	515	-	495	-
								Tap T4	950	34.21	880	36.93	810	40.12	755	43.05	705	46.10	655	49.62	600	54.17	570	57.02
								Tap T5	1110	-	1065	30.52	1020	31.86	965	33.68	910	35.71	865	37.57	825	39.39	790	41.14
X24C045(†)	45,000	35,100	30-60	24,000	10 x 10	1/2	Tap T1	845	63.12	735	-	625	-	540	-	335	-	217	-	207	-			
								*Tap T2	845	63.12	735	-	625	-	540	-	335	-	217	-	207	-		
								Tap T3	950	56.14	880	60.61	810	65.84	755	-	705	-	655	-	600	-	570	-
								**Tap T4	1110	48.05	1065	50.08	1020	52.29	965	55.27	910	58.61	865	61.66	825	64.65	790	67.51
								Tap T5	1260	42.33	1215	43.90	1175	45.39	1125	47.41	1075	49.61	1030	51.78	990	53.87	960	55.56
X30C045(†)	45,000	35,100	30-60	28,400	10 x 10	1/2	Tap T1	978	33.23	816	39.83	738	44.04	668	48.65	544	59.74	459	-	385	-			
								*Tap T2	1059	30.69	988	32.89	929	34.98	846	38.42	790	41.14	733	44.34	665	48.87	628	51.75
								**Tap T3	1089	-	1007	32.27	918	35.40	847	38.37	786	41.35	737	44.10	675	48.15	608	53.45
								Tap T4	1156	-	1089	-	1004	32.37	919	35.36	862	37.70	813	39.98	750	43.33	695	46.76
								Tap T5	1382	-	1324	-	1260	-	1192	-	1110	-	1048	31.01	999	32.53	954	34.07
X30C072(†)	72,000	57,600	40-70	28,400	10 x 10	1/2	Tap T1	978	54.53	816	65.36	738	-	668	-	544	-	459	-	385	-			
								*Tap T2	1059	50.36	988	53.98	929	57.41	846	63.04	790	67.51	733	-	665	-	628	-
								Tap T3	1089	48.97	1007	52.96	918	58.10	847	62.97	786	67.85	737	-	675	-	608	-
								**Tap T4	1156	46.14	1089	48.97	1004	53.12	919	58.03	862	61.87	813	65.60	750	-	695	-
								Tap T5	1382	-	1324	40.28	1260	42.33	1192	44.74	1110	48.05	1048	50.89	999	53.39	954	55.90
X36C072(†)	72,000	57,600	40-70	36,000	10 x 10	1/2	Tap T1	1124	47.45	1049	50.84	956	55.79	883	60.40	831	64.18	784	68.03	714	-	654	-	
								*Tap T2	1323	40.31	1261	42.29	1189	44.86	1117	47.75	1040	51.28	980	54.42	926	57.60	896	59.52
								*Tap T3	1471	-	1413	-	1366	-	1303	40.93	1253	42.56	1199	44.48	1142	46.70	1090	48.93
								Tap T4	1461	-	1407	-	1334	-	1259	42.36	1183	45.08	1112	47.96	1072	49.75	1028	51.88
								Tap T5	1592	-	1526	-	1475	-	1403	-	1326	40.22	1261	42.29	1200	44.44	1129	47.24
X36C096(†)	96,000	76,800	45-75	36,000	10 x 10	1/2	Tap T1	1124	63.27	1049	67.79	956	74.38	883	-	831	-	784	-	714	-	654	-	
								Tap T2	1323	53.75	1261	56.39	1189	59.81	1117	63.66	1040	68.38	980	72.56	926	-	896	-
								*Tap T3	1471	48.34	1413	50.33	1366	52.06	1303	54.57	1253	56.75	1199	59.31	1142	62.27	1090	65.24
								*Tap T4	1461	48.67	1407	50.54	1334	53.31	1259	56.48	1183	60.11	1112	63.95	1072	66.33	1028	69.17
								Tap T5	1592	-	1526	46.60	1475	48.21	1403	50.69	1326	53.63	1261	56.39	1200	59.26	1129	62.99

* Denotes Factory Set Cooling Speed
 ** Denotes Factory Set Heating Speed
 † Can be C or X

AIRFLOW DATA CONTINUED

Model Number	Heating Input (Btu/h)	Heating Output (Btu/h)	Heating Rise Range (F)	Cooling Output (Btu/h)	Blower Size	Motor HP	Motor Tap	External Static Pressure Drop - inches water column																							
								0.1		0.2		0.3		0.4		0.5		0.6		0.7		0.8									
								(cfm)	(°F) Rise	(cfm)	(°F) Rise	(cfm)	(°F) Rise	(cfm)	(°F) Rise	(cfm)	(°F) Rise	(cfm)	(°F) Rise	(cfm)	(°F) Rise	(cfm)	(°F) Rise	(cfm)	(°F) Rise						
R6GD-							Tap T1	1020	52.29	940	56.74	860	62.02	800	66.67	740	-	680	-	615	-	570	-								
								1185	45.01	1110	48.05	1035	51.53	980	54.42	925	57.66	875	60.95	820	65.04	785	67.94								
								1410	-	1330	40.10	1250	42.67	1195	44.63	1140	46.78	1085	49.16	1030	51.78	975	54.70								
								1525	-	1450	-	1370	-	1320	40.40	1270	41.99	1210	44.08	1150	46.38	1100	48.48								
								1650	-	1585	-	1520	-	1465	-	1405	-	1340	-	1280	41.67	1235	43.18								
X42C072(†)	72,000	57,600	40-70	42,000	10 x 10	3/4	Tap T1	1020	69.72	940	-	860	-	800	-	740	-	680	-	615	-	570	-								
								1185	60.01	1110	64.06	1035	68.71	980	72.56	925	-	875	-	820	-	785	-								
								1410	50.43	1330	53.47	1250	56.89	1195	59.51	1140	62.38	1085	65.54	1030	69.04	975	72.93								
								1525	46.63	1450	49.04	1370	51.91	1320	53.87	1270	55.99	1210	58.77	1150	61.84	1100	64.65								
								1650	-	1585	-	1520	46.78	1465	48.54	1405	50.61	1340	53.07	1280	55.56	1235	57.58								
X48C096(†)	96,000	76,800	45-75	42,000	10 x 10	3/4	Tap T1	1185	60.01	1110	64.06	1035	68.71	980	72.56	925	-	875	-	820	-	785	-								
								1410	50.43	1330	53.47	1250	56.89	1195	59.51	1140	62.38	1085	65.54	1030	69.04	975	72.93								
								1525	46.63	1450	49.04	1370	51.91	1320	53.87	1270	55.99	1210	58.77	1150	61.84	1100	64.65								
								1650	-	1585	-	1520	46.78	1465	48.54	1405	50.61	1340	53.07	1280	55.56	1235	57.58								
								1775	-	1715	-	1650	-	1600	-	1540	46.18	1460	48.71	1375	51.72	1330	53.47								
X48C120(†)	120,000	96,000	45-75	47,800	10 x 10	3/4	Tap T1	1185	75.00	1110	-	1035	-	980	-	925	-	875	-	820	-	785	-								
								1410	63.04	1330	66.83	1250	71.11	1195	74.38	1140	-	1085	-	1030	-	975	-								
								1525	58.29	1450	61.30	1370	64.88	1320	67.34	1270	69.99	1210	73.46	1150	-	1100	-								
								1650	53.87	1585	56.08	1520	58.48	1465	60.68	1405	63.27	1340	66.33	1280	69.44	1235	71.97								
								1775	50.08	1715	51.83	1650	53.87	1600	55.56	1540	57.72	1460	60.88	1375	64.65	1330	66.83								
X60C096(†)	96,000	76,800	45-75	56,500	11 x 10	1	Tap T1	1259	56.48	1187	59.91	1130	62.93	1069	66.52	1015	70.06	955	74.46	923	-	869	-								
								1583	-	1521	46.75	1467	48.47	1416	50.22	1360	52.29	1306	54.45	1265	56.21	1212	58.67								
								1827	-	1771	-	1703	-	1656	-	1565	45.44	1461	48.67	1363	52.17	1237	57.49								
								2009	-	1931	-	1834	-	1761	-	1639	-	1525	46.63	1441	49.35	1293	55.00								
								2076	-	1967	-	1870	-	1758	-	1662	-	1556	45.70	1450	49.04	1331	53.43								
X60C120(†)	120,000	96,000	45-75	56,500	11 x 10	1	Tap T1	1259	70.60	1187	74.89	1130	-	1069	-	1015	-	955	-	923	-	869	-								
								1583	56.15	1521	58.44	1467	60.59	1416	62.77	1360	65.36	1306	68.06	1265	70.27	1212	73.34								
								1827	48.65	1771	50.19	1703	52.20	1656	53.68	1565	56.80	1461	60.84	1363	65.22	1237	71.86								
								2009	-	1931	46.03	1834	48.47	1761	50.48	1639	54.23	1525	58.29	1441	61.69	1293	68.75								
								2076	-	1967	45.19	1870	47.53	1758	50.56	1662	53.48	1556	57.13	1450	61.30	1331	66.78								

* Denotes Factory Set Cooling Speed
 ** Denotes Factory Set Heating Speed
 † Can be C or X

EXPANDED RATINGS

R6GD-X24

O.D.T			85°F			95°F			105°F			115°F		
CFM	E.D.B.	E.W.B.	T.C.	S.C.	K.W.	T.C.	S.C.	K.W.	T.C.	S.C.	K.W.	T.C.	S.C.	K.W.
725	80	62	24.7	20.5	1.66	22.7	20.3	1.89	20.7	20.2	2.17	18.7	18.5	2.53
	80	67	26.7	16.4	1.69	24.4	15.6	1.92	22.1	15.1	2.19	19.5	14.3	2.55
	80	72	24.7	20.5	1.66	22.7	19.7	1.89	20.7	18.7	2.17	18.7	16.8	2.53
	75	63	24.9	16.1	1.67	22.8	16.1	1.89	20.5	15.6	2.17	18.1	14.9	2.52
800	80	62	25.2	21.7	1.67	23.2	22.0	1.89	21.3	20.8	2.18	19.2	19.2	2.55
	80	67	27.1	17.2	1.70	24.8	16.8	1.92	22.4	16.0	2.20	19.7	15.2	2.57
	80	72	25.2	21.7	1.67	23.2	20.8	1.89	21.3	19.2	2.18	19.2	17.3	2.55
	75	63	25.3	17.6	1.67	23.2	17.4	1.89	20.8	16.7	2.17	18.3	15.9	2.53
875	80	62	25.7	23.6	1.68	23.9	22.7	1.90	21.9	21.9	2.19	19.6	19.6	2.56
	80	67	27.5	18.4	1.70	25.2	17.7	1.93	22.7	16.9	2.21	20.0	16.1	2.57
	80	72	25.7	22.9	1.68	23.9	21.5	1.90	21.9	19.7	2.19	19.6	17.7	2.56
	75	63	25.7	19.5	1.68	23.5	18.8	1.90	21.1	18.0	2.17	18.6	17.0	2.53

R6GD-X30

O.D.T			85°F			95°F			105°F			115°F		
CFM	E.D.B.	E.W.B.	T.C.	S.C.	K.W.	T.C.	S.C.	K.W.	T.C.	S.C.	K.W.	T.C.	S.C.	K.W.
850	80	62	27.6	23.5	2.09	26.4	23.7	2.32	25.2	24.4	2.57	24.0	23.8	2.87
	80	67	29.8	18.8	2.11	28.5	18.5	2.34	27.1	18.1	2.59	25.6	17.6	2.88
	80	72	32.6	14.2	2.14	31.1	13.8	2.36	29.6	13.4	2.61	27.9	13.0	2.90
	75	63	32.6	14.5	2.14	31.1	14.8	2.36	29.6	14.8	2.61	27.9	14.7	2.90
950	80	62	28.3	25.1	2.10	27.2	25.8	2.32	26.0	25.4	2.58	24.8	24.8	2.87
	80	67	30.4	20.2	2.12	29.0	19.8	2.34	27.5	19.3	2.59	26.0	18.8	2.88
	80	72	33.1	14.9	2.15	31.6	14.5	2.37	30.0	14.1	2.61	28.3	13.7	2.90
	75	63	33.1	16.2	2.15	31.6	16.2	2.37	30.0	16.1	2.61	28.3	15.8	2.90
1050	80	62	29.5	27.3	2.11	28.4	27.0	2.34	27.2	27.2	2.59	25.9	25.9	2.88
	80	67	31.2	21.8	2.13	29.8	21.4	2.35	28.3	20.9	2.60	26.7	20.4	2.89
	80	72	33.9	16.0	2.15	32.3	15.6	2.37	30.7	15.2	2.63	28.9	14.8	2.90
	75	63	33.9	18.3	2.15	32.3	18.1	2.37	30.7	17.7	2.63	28.9	17.3	2.90

EXPANDED RATINGS Continued

R6GD-X36

O.D.T			85°F			95°F			105°F			115°F		
CFM	E.D.B.	E.W.B.	T.C.	S.C.	K.W.	T.C.	S.C.	K.W.	T.C.	S.C.	K.W.	T.C.	S.C.	K.W.
1300	80	62	36.4	32.8	2.69	34.9	32.3	2.95	33.3	32.4	3.25	31.5	31.2	3.58
	80	67	38.6	27.0	2.71	36.6	26.4	2.97	34.6	25.7	3.26	32.5	25.1	3.59
	80	72	41.8	19.8	2.76	39.7	19.2	3.01	37.5	18.7	3.30	35.2	18.1	3.62
	75	63	35.9	26.3	2.68	34.1	26.5	2.94	32.2	26.3	3.23	30.2	25.9	3.57
1400	80	62	37.1	33.4	2.72	35.5	33.8	2.99	33.9	33.0	3.28	32.1	32.1	3.62
	80	67	38.9	28.2	2.74	36.9	27.6	3.00	34.9	26.9	3.29	32.8	26.3	3.63
	80	72	42.0	20.5	2.79	39.9	20.0	3.04	37.7	19.4	3.33	35.4	18.9	3.66
	75	63	36.2	28.4	2.71	34.4	28.3	2.98	32.5	27.9	3.26	30.5	27.3	3.60
1500	80	62	37.8	34.9	2.76	36.1	34.3	3.02	34.4	34.4	3.31	32.6	32.6	3.65
	80	67	39.2	29.4	2.77	37.2	28.8	3.04	35.1	28.1	3.32	33.0	27.4	3.66
	80	72	42.3	21.3	2.82	40.1	20.7	3.07	37.9	20.3	3.37	35.6	19.7	3.69
	75	63	36.5	30.7	2.75	34.7	30.2	3.01	32.7	29.5	3.29	30.7	28.8	3.63

R6GD-X42

O.D.T			85°F			95°F			105°F			115°F		
CFM	E.D.B.	E.W.B.	T.C.	S.C.	K.W.	T.C.	S.C.	K.W.	T.C.	S.C.	K.W.	T.C.	S.C.	K.W.
1400	80	62	42.1	37.5	3.57	40.3	37.3	3.95	38.5	37.5	4.37	36.5	36.2	4.82
	80	67	45.3	30.2	3.61	43.0	29.5	3.98	40.7	28.7	4.40	38.3	28.0	4.86
	80	72	49.3	22.5	3.66	46.7	21.8	4.02	44.2	21.1	4.43	41.5	20.5	4.90
	75	63	42.2	29.6	3.57	40.1	29.7	3.95	37.9	29.5	4.36	35.6	29.1	4.81
1500	80	62	43.0	38.7	3.58	41.2	39.1	3.96	39.3	38.3	4.38	37.3	37.3	4.84
	80	67	45.7	31.5	3.62	43.4	30.8	3.98	41.1	30.0	4.40	38.7	29.2	4.86
	80	72	49.7	23.3	3.66	47.2	22.6	4.03	44.5	21.9	4.44	41.7	21.3	4.90
	75	63	42.7	32.0	3.58	40.5	31.7	3.95	38.3	31.3	4.37	36.0	30.6	4.82
1600	80	62	43.8	40.5	3.59	41.9	39.8	3.97	40.0	40.0	4.39	37.9	37.9	4.85
	80	67	46.2	32.8	3.62	43.9	32.0	3.99	41.5	31.2	4.41	39.0	30.4	4.87
	80	72	50.1	24.1	3.67	47.5	23.4	4.03	44.8	22.7	4.44	42.1	22.0	4.91
	75	63	43.1	34.5	3.59	40.9	33.9	3.95	38.7	33.2	4.37	36.3	32.3	4.82

EXPANDED RATINGS Continued

R6GD-X48

O.D.T			85°F			95°F			105°F			115°F		
CFM	E.D.B.	E.W.B.	T.C.	S.C.	K.W.	T.C.	S.C.	K.W.	T.C.	S.C.	K.W.	T.C.	S.C.	K.W.
1650	80	62	46.9	41.9	3.88	45.0	41.6	4.29	43.0	41.9	4.73	40.9	40.5	5.21
	80	67	50.2	33.9	3.92	47.7	33.0	4.32	45.1	32.2	4.76	42.6	31.3	5.25
	80	72	50.2	33.9	3.92	47.7	33.0	4.32	45.1	32.2	4.76	42.6	31.3	5.25
	75	63	46.8	33.1	3.88	44.4	33.2	4.28	42.1	33.0	4.72	39.6	32.5	5.19
1800	80	62	48.0	43.2	3.95	45.9	43.6	4.36	43.8	42.7	4.80	41.6	41.6	5.29
	80	67	50.6	35.5	3.98	48.1	34.6	4.39	45.5	33.8	4.83	42.9	32.9	5.32
	80	72	50.6	35.5	3.98	48.1	34.6	4.39	45.5	33.8	4.83	42.9	32.9	5.32
	75	63	47.2	35.9	3.95	44.8	35.7	4.35	42.4	35.1	4.78	40.0	34.4	5.26
1950	80	62	48.9	45.2	4.02	46.7	44.4	4.43	44.7	44.6	4.88	42.4	42.4	5.37
	80	67	51.0	37.1	4.04	48.5	36.2	4.45	45.9	35.3	4.89	43.2	34.4	5.38
	80	72	51.0	37.1	4.04	48.5	36.2	4.45	45.9	35.3	4.89	43.2	34.4	5.38
	75	63	47.6	38.9	4.01	45.2	38.2	4.41	42.7	37.3	4.85	40.3	36.4	5.33

R6GD-X60

O.D.T			85°F			95°F			105°F			115°F		
CFM	E.D.B.	E.W.B.	T.C.	S.C.	K.W.	T.C.	S.C.	K.W.	T.C.	S.C.	K.W.	T.C.	S.C.	K.W.
1500	80	62	54.4	43.1	4.61	52.0	43.4	5.09	49.6	44.8	5.61	47.0	44.2	6.20
	80	67	58.7	35.1	4.70	56.1	34.2	5.17	53.3	33.2	5.69	50.5	32.2	6.28
	80	72	64.4	27.0	4.82	61.6	26.1	5.29	58.5	25.3	5.82	55.4	24.4	6.39
	75	63	54.7	34.7	4.62	52.3	34.9	5.09	49.7	34.6	5.61	47.0	34.1	6.20
1650	80	62	55.6	45.6	4.64	53.1	47.2	5.11	50.6	47.3	5.63	48.0	47.1	6.22
	80	67	59.8	36.9	4.72	57.1	36.0	5.19	54.3	35.0	5.71	51.4	34.3	6.30
	80	72	65.5	28.1	4.84	62.5	27.3	5.31	59.4	26.5	5.84	56.1	25.6	6.41
	75	63	55.8	37.9	4.64	53.3	37.6	5.11	50.7	37.1	5.63	47.9	36.6	6.22
1800	80	62	56.6	49.4	4.66	54.1	49.6	5.13	51.6	50.9	5.65	49.2	49.1	6.25
	80	67	60.7	38.6	4.74	58.0	38.0	5.21	55.1	37.0	5.73	52.1	36.0	6.31
	80	72	66.3	29.3	4.86	63.2	28.5	5.32	60.0	27.6	5.85	56.5	26.7	6.42
	75	63	56.7	41.3	4.66	54.2	40.9	5.13	51.5	39.9	5.65	48.6	38.9	6.23

R6GD ACCESSORIES

Description	Part Number
Roof Curb (8")	547830
Roof Curb (14")	547831
Roof Curb (18")	547850
Roof Curb (24")	547851
Cap, Duct Adapter, 12" Round	913811A
Cap, Duct Adapter, 14" Round	913812A
Supply/return transition, 16"	547834
Supply/return transition, 18"	547835
Concentric diffuser, flush, 16"	547836
Concentric diffuser, flush, 18"	547837
Concentric diffuser, step down 16"	547838
Concentric diffuser, step down 18"	547839
Manual Fresh Air Damper	547832
Motorized Fresh Air Damper	547840
Economizer, downflow w/filter (does not require filter kit) modulating	558870
Economizer, horizontal modulating	547841
Power Exhaust, horizontal economizer (special order)	547843
Power Exhaust, downflow economizer (special order)	547842
Filter Kit R6GD 024 - 042	547888
Filter Kit R6GD 048 - 060	547889
Filter Kit, All Downflow Applications (not required with economizer)	547885
Hood Type Hail Guard, Coil Dim. 34" X 76" R6GD-024,030,036,042	547846
Hood Type Hail Guard, Coil Dim. 38" X 76" R6GD-048,060	547847
DUCT SMOKE DETECTOR PHOTO ELEC	558863
MULTI SIGNAL CONTROL	547893
SAMPLING TUBE DST3, 2-4ft	558864
SAMPLING TUBE DST5, 4-8ft	558865
Low Ambient Kit	918837
Canadian LP Gas Conversion Kit (0 to 4,500 ft above sea level)	904091A
U.S. LP Gas Conversion Kit (0 ft to 10,000 ft above sea level)	904090A
Outdoor Thermostat Kit	913852
Universal Hard Start Kit	912933
Skirt Trim Kit	919729
Extreme High Wind Kit - Roof Curb Mount	903696
Extreme High Wind Kit - Ground Mount	903695
Freezestat Kit	917108
Control, CO2 Sensor, Wall Mount	920317
Control, CO2 sensor, Duct Mount	920318



GENERAL TERMS OF LIMITED WARRANTY

NORDYNE will furnish a replacement for any part of this product which fails in normal use and service within the first ten years of installation, in accordance with the terms of the warranty.

For complete details of the Limited Warranty, including applicable terms and conditions, see your local installer or contact the NORDYNE warranty department for a copy.

NORDYNE
COMPLETE COMFORT. GENUINE VALUE.

8000 Phoenix Parkway | O'Fallon, MO 63368-3827

Specifications and illustrations subject to change without notice and without incurring obligations. Printed in U.S.A (6/2012)

222D-0612 (Replaces 222D-1209)

www.frigidaire.net

Trademark Frigidaire is a registered trademark used under license from Frigidaire International Company, U.S.A. © NORDYNE. All Rights Reserved.