



1409 Kingsley Ave # 7B
 Orange Park, FL 32073
 904-215-8075 / Toll Free 800-513-1152
 Fax 800-760-0715

SPEC. NO. FAP41CQ130

DATE 4/15/2010

LAST NO.

PAGE 1 OF 2

Speed Nut (Type "U")

SUPERCEDES SPEC. NO.

DATED

Manufacturer: Tinnerman Products, Inc.,
 Topy Fasteners,
 or Engineering approved equivalent.

Material: Spring Steel, Heat Treated unless otherwise specified. Variations available are those shown with suffix letters in the Part No.

General Description

Finish: SS - Stainless Steel
 1 - Phosphate & 2 coats Olive Drab Phenolic Paint.
 4 - Phosphate & Wax
 27 - Soluble Oil Dipped
 38 - .00015 Min. Zinc Electroplate
 255-Dacromet 320 LV (Gray color).

General Specifications

Marking: FAP part no. must be marked on container followed by Suffix "A" for Tinnerman, "C" for Topy.

Cleanliness: Part(s) must be clean and protected from atmospheric dirt and moisture.

Packaging: Part(s) must be adequately packaged to protect them from shipping damage, dirt and moisture.

INITIAL RELEASE	REV.	AUTHORIZATION NUMBER	APPROVED BY / DATE	
4/15/2010	Original		TRP / 4-15-2010	TOLERANCES UNLESS OTHERWISE SPECIFIED
				FRACTIONS +/-
				DECIMALS +/-
NO DEVIATION FROM THE CONSTRUCTION DEFINED BY AN APPROVED SAMPLE OR DETAILED SPECIFICATION WILL BE MADE WITHOUT WRITTEN APPROVAL FROM FIRST AMERICA PRODUCTS				HOLE SPACING +/-
				HOLE LOCATION +/-



1409 Kingsley Ave # 7B
 Orange Park, FL 32073
 904-215-8075 / Toll Free 800-513-1152
 Fax 800-760-0715

SPEC. NO. FAP41CQ130

DATE 4/15/2010

LAST NO.

PAGE 2 OF 2


Speed Nut (Type "U")


SUPERCEDES SPEC. NO.


DATED


FAP Part No	Mfr. & Mfr. Part No	Screw Size	Panel Range	Design Var.	Finish	DIMENSIONS					
						A	B	X	C	Min	T
						Length	Width	Cntr of hole to end	Max cntr of hole to edge	Panel hole size	Material thickness
FAP41CQ130	TINNERMAN C1792-10Z-255	#10B	.025-.051	EH	255	0.71	0.63	0.24	0.41	0.28	0.031

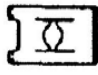
DESIGN VARIATIONS

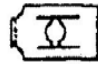
A 
NO EXTRUSION ON LOWER LEG


B 
FULL EXTRUSION ON LOWER LEG

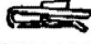
C 
STRAIGHT UPPER LEG


D 
CORNER TURNED UP

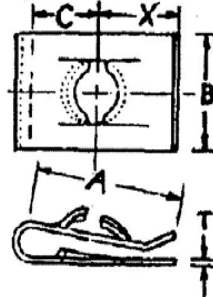
E 
RELIEF NOTCH

F 
CORNERS CUT OFF

H 
SPEED NUT IMPRESSION TURNED 90 DEGREES

K 
LOWER LEG TURNED DOWN

L 


 STANDARD

INITIAL RELEASE	REV.	AUTHORIZATION NUMBER	APPROVED BY / DATE	
4/15/2010	Original		TRP / 4-15-2010	TOLERANCES UNLESS OTHERWISE SPECIFIED
				FRACTIONS +/-
				DECIMALS +/-
NO DEVIATION FROM THE CONSTRUCTION DEFINED BY AN APPROVED SAMPLE OR DETAILED SPECIFICATION WILL BE MADE WITHOUT WRITTEN APPROVAL FROM FIRST AMERICA PRODUCTS				HOLE SPACING +/-
				HOLE LOCATION +/-