

**SUBMITTAL RECORD**

JOB \_\_\_\_\_  
 LOCATION \_\_\_\_\_  
 SUBMITTED TO \_\_\_\_\_  
 SUBMITTAL PREPARED BY \_\_\_\_\_  
 APPROVED BY \_\_\_\_\_  
 DATE \_\_\_\_\_

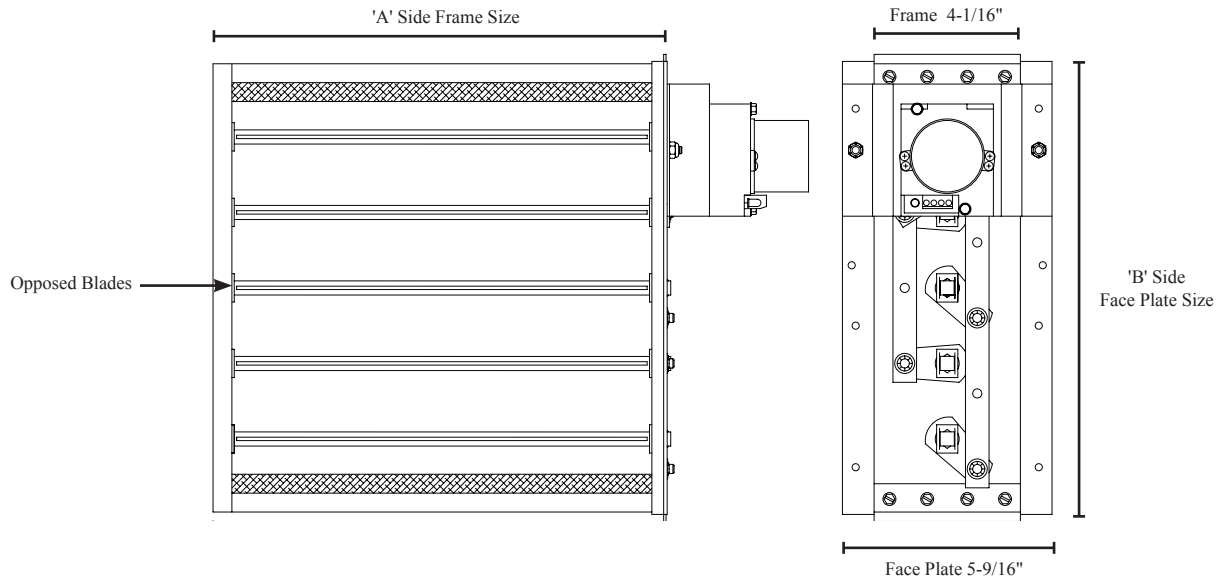


**Submittal Form**  
**PMB**

**Power Open/Power Closed  
 Opposed Blade Damper**

**DESCRIPTION**

The DuroZone Multi-Blade damper for residential and light commercial zoning systems has been engineered to include many features. Ribbed, hat style frame for strength and extruded from lightweight aluminum, the sleek frame profile provides maximum strength without excessive reduction of free area inside the ductwork. The extruded aluminum blades are mounted with nylon bushings to ensure smooth, quiet operation. The DuroZone Power Open/Power Closed Opposed Blade Multi-Blade Dampers damper blades do not extend beyond the damper frame making for easy field or shop installation. External heavy gauge side-mounted linkage ensures smooth and quiet operation. For Multi-Blade Dampers with a Spring Return Motor, please reference our MMB-SMB submittal.



Damper Specifications			
Damper Component	Material	Width	Depth
Frame	Heavy Extruded Aluminum	4-1/16"	1/2"
Face Plate	Heavy Extruded Aluminum	5-9/16" (includes two 3/4" flanges)	5/16"
Blade	Heavy Extruded Aluminum	2-3/4"	3/32"
Gasket	Vinyl Nitrile Neo Blend	3/4"	1/2"
Bushings for blades are nylon 5/8" outside diameter with a 3/8" square hole			
All blade linkage is 16 gauge galvanized steel			

**SUGGESTED SPECIFICATIONS**

Rectangular Opposed Blade Zone Dampers shall be Duro Dyne PMB type dampers. Damper blades and frames shall be manufactured of extruded aluminum. Damper motor will be power open/power closed type. Installation shall be as described in the Duro Dyne PMB damper instructions. Sizes and locations shall be as indicated on the mechanical drawings.

Duro Dyne East Division, Bay Shore, NY	631-249-9000	Fax: 631-249-8346
Duro Dyne Midwest Division, Hamilton, OH	513-870-6000	Fax: 513-870-6005
Duro Dyne West Division, Fontana CA	562-926-1774	Fax: 562-926-5778
Duro Dyne Canada, Lachine, Quebec, Canada	514-422-9760	Fax: 514-636-0328
www.durodyne.com E-mail: durodyne@durodyne.com		



©2018 Duro Dyne Corporation  
 Printed in USA 7/17/18  
 BO040006

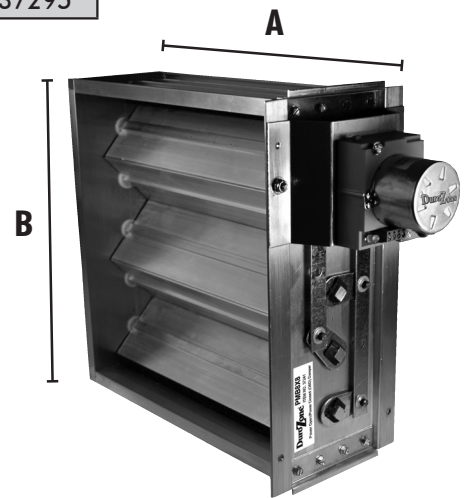


# Submittal Form

## PMB Power Open/Power Closed Opposed Blade Damper

### Power Open/Power Closed (OBD) Multi-Blade Dampers (PMB)

		"B" - FACE PLATE DIMENSION - MOTOR SIDE									
		6"	8"	10"	12"	14"	16"	18"	20"	22"	24"
"A" - DIMENSION	6"		A 37240	A 37250	A 37260	A 37270	B 37280	B 37290	B 37300	C 37310	C 37320
	8"	A 37230	A 37241	A 37251	B 37261	B 37271	B 37281	C 37291	C 37301	D 37311	D 37321
	10"	A 37231	A 37242	B 37252	B 37262	C 37272	C 37282	D 37292	D 37302	D 37312	E 37322
	12"	A 37233	B 37243	B 37253	C 37263	C 37273	D 37283	D 37293	E 37303	E 37313	E 37323
	14"	A 37234	B 37244	C 37254	C 37264	D 37274	D 37284	E 37294	E 37304		
	16"	B 37235	B 37245	C 37255	D 37265	D 37275	E 37285	E 37295			
	18"	B 37236	C 37246	D 37256	D 37266	E 37276	E 37286				
	20"	C 37237	C 37247	D 37257	E 37267	E 37277	E 37287				
	22"	C 37238	D 37248	D 37258	E 37268						
	24"	C 37239	D 37249	E 37259	E 37269						



**Note: When ordering Multi-Blade Dampers give the item number, description and "A" Dimension first, then "B" Dimension (i.e. #37302 PMB 10" x 20")**

Duro Dyne East Division, Bay Shore, NY Duro Dyne Midwest Division, Hamilton, OH Duro Dyne West Division, Fontana, CA Duro Dyne Canada, Lachine, Quebec, Canada www.durodyne.com E-mail: durodyne@durodyne.com	631-249-9000 513-870-6000 562-926-1774 514-422-9760	Fax: 631-249-8346 Fax: 513-870-6005 Fax: 562-926-5778 Fax: 514-636-0328
---	--	--

