

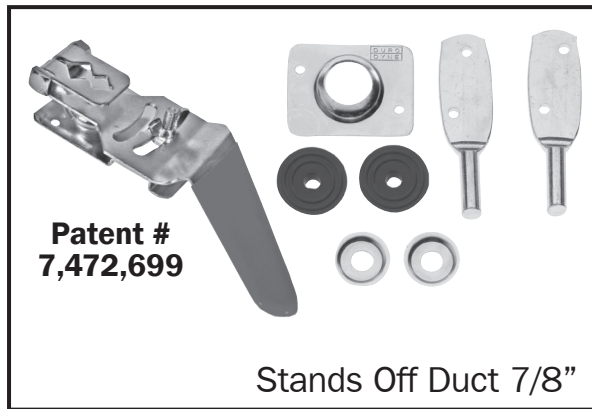
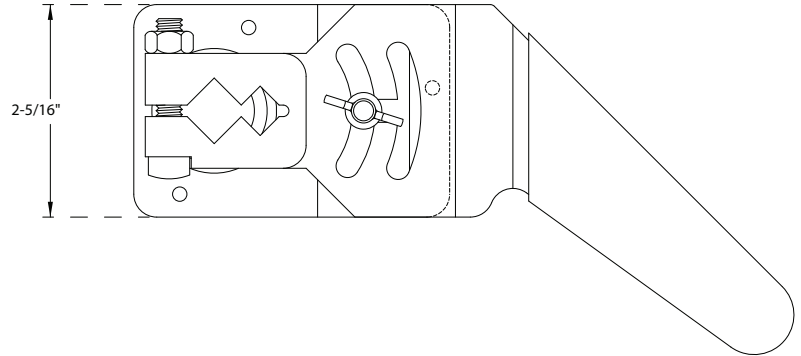
SUBMITTAL RECORD

JOB _____
 LOCATION _____
 SUBMITTED TO _____
 SUBMITTAL PREPARED BY _____
 APPROVED BY _____
 DATE _____



Submittal Form
AL - SPEC-SEAL™
UNIVERSAL
REGULATOR & SET

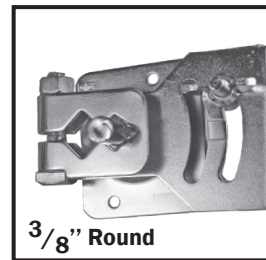
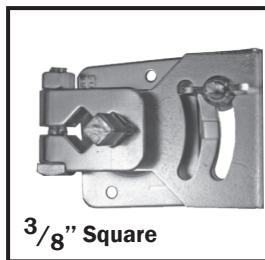
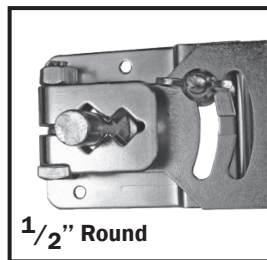
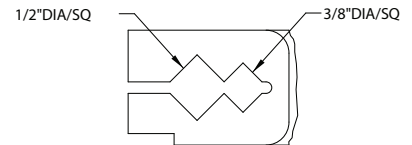
The Spec-Seal Universal Regulator Set utilizes a special rubber seal for applications up to 500°F constant temperature. It eliminates leakage and rattle via the Shaft Loc Mechanism in high pressure systems. The handle's unique design utilizes a highly-visible orange plastic cover showing the damper position. This unit, made of heavy-gauge zinc-plated steel, accommodates four styles of end bearings: 3/8" and 1/2" with both round or square bearing shafts. It is also available in stainless steel. Individual parts available upon request.



Each Set Consists of:

- Regulator
- 2 Rubber Seals
- 2 Metal Washers
- 2 End Bearings
- End Bearing Support

BEARING SIZE REQUIREMENT DETAIL



SPEC-SEAL™			
ITEM#	CODE	BEARING TYPE	QUANTITY
8153	AL38	3/8" Square	10 Sets Per Ctn
8154	AL38R	3/8" Round	10 Sets Per Ctn
8158	AL38L	3/8" Square Long	10 Sets Per Ctn
8152	AL12R	1/2" Round	10 Sets Per Ctn

STAINLESS STEEL (300 SERIES) SPEC-SEAL™			
ITEM#	CODE	BEARING TYPE	QUANTITY
8301	AL12SS	1/2" Square Stainless	10 Sets Per Ctn
8302	ALRO12SS	1/2" Square Stainless	10 Sets Per Ctn

STAINLESS STEEL (316 SERIES) SPEC-SEAL™			
ITEM#	CODE	BEARING TYPE	QUANTITY
8161	ALRO12SS316	1/2" Square Stainless	10 Sets Per Ctn
8297	ALRO12RSS316	1/2" Square Stainless	10 Sets Per Ctn

Duro Dyne East Division, Bay Shore, NY
 Duro Dyne Midwest Division, Hamilton, OH
 Duro Dyne West Division, Fontana, CA
 Duro Dyne Canada, Lachine, Quebec, Canada

631-249-9000 Fax: 631-249-8346
 513-870-6000 Fax: 513-870-6005
 562-926-1774 Fax: 562-926-5778
 514-422-9760 Fax: 514-636-0328

www.durodyne.com E-mail: durodyne@durodyne.com



©2018 Duro Dyne Corporation
 Printed in USA 8/16/18
 BO008430