



409 Stacking Collar

For Use With Models 406 & 407

Project _____

Item _____

Quantity _____

CSI Section 11400

Approved _____

Date _____

Models

- 409 - Stacking collar for use with models 406 & 407



Models 406, 407 & 409

Standard Features

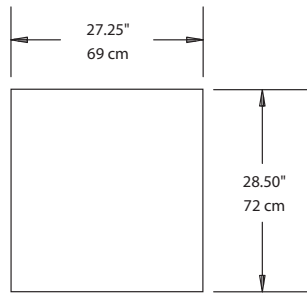
- Constructed with 22 gauge stainless steel
- Adds 4" to overall combined height
- Allows 406 & 407 units to be stacked



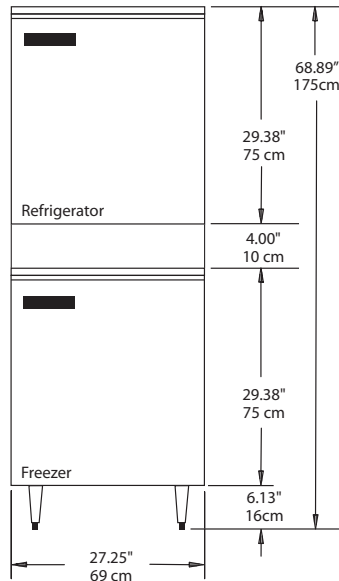
409 Stacking Collar: For Use With Models 406 & 407

409 Stacking Collar

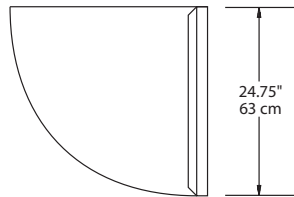
For Use With Models 406 & 407



Plan View



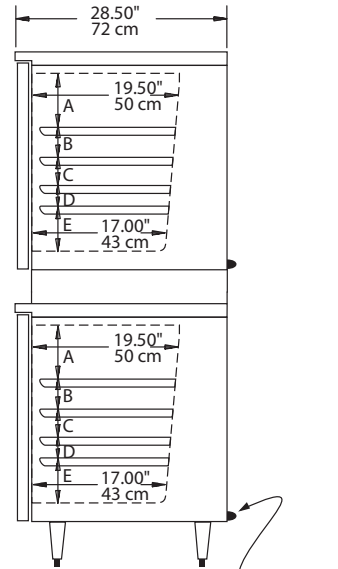
Elevation View



Right Door Hinging

Door Clearance Detail

Shelf Support Spacing
 A = 7.50" / 19 cm
 B = 4.00" / 10 cm
 C = 3.75" / 9.5 cm
 D = 2.75" / 7 cm
 E = 6.00" / 15 cm



Bullet Feet Can Adjust Upwards Only, Up To +1.00" / 3 cm
 Interior Clear Dimension, Left To Right: 21.25" / 54 cm

Right End View

Installation Note For All Models:
 Refrigeration system is designed so that air will flow under the unit, through the compressor area, and out the top rear of the unit. Any restriction to this air flow path will void the warranties.

Specifications

Model	V/Hz/Ph	Amps	Volume	Shelf Area	H.P.	Ship Weight	NEMA Plug	Energy KWH/Day
406	115/60/1	4.0	5.7ft ³	4.6ft ²	1/5	176lbs (80kg)	5-15P	1.88
407	115/60/1	5.8	5.7ft ³	4.6ft ²	1/5	176lbs (80kg)	5-15P	2.53

Delfield reserves the right to make changes to the design or specifications without prior notice.