

Underēve Vent® Hook-Up Kit - 4" dia. mounting plate, flexible semi-rigid aluminum, Underēve-Vent®

Model No.	Description	Color
EVEK4	Underēve Vent® Hook-Up Kit	White

Performance Data

for plastic molded under the eave / soffit vent

Underēve-Vent®

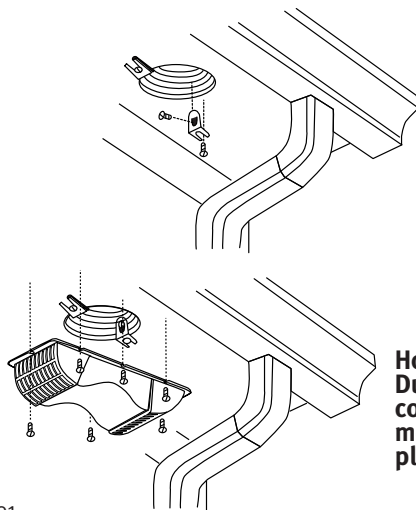
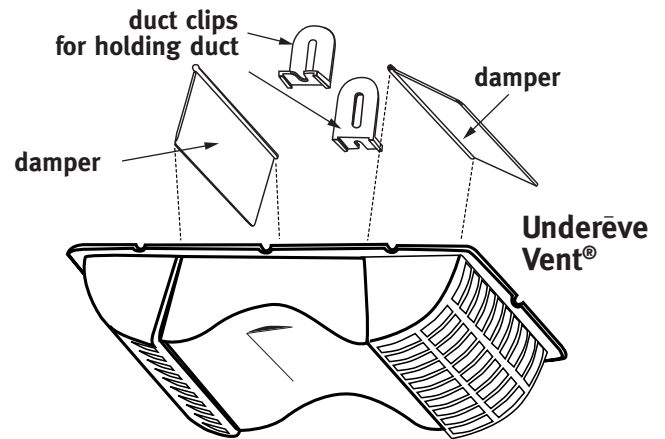
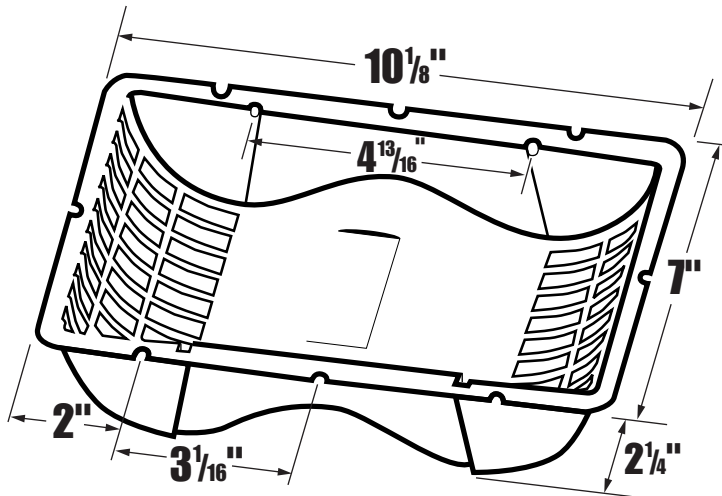
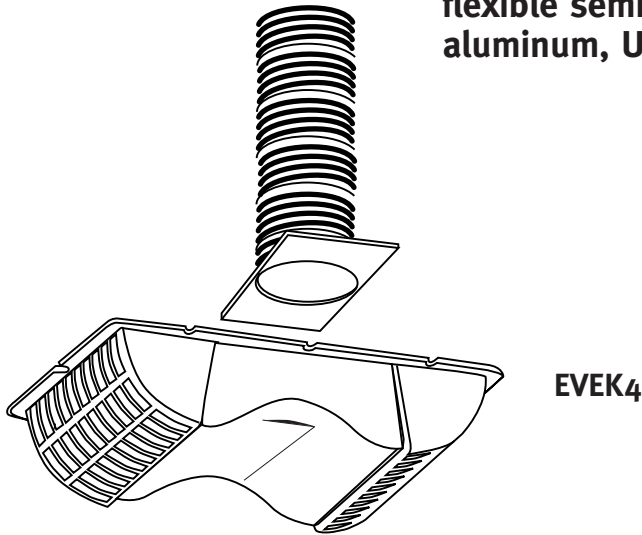
- Calcium filled Polypropylene
- Melting point: 325° F+
- UV Inhibitor added

Pipe

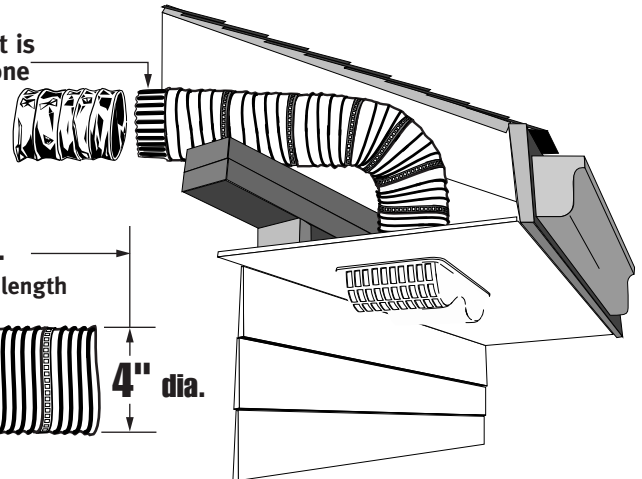
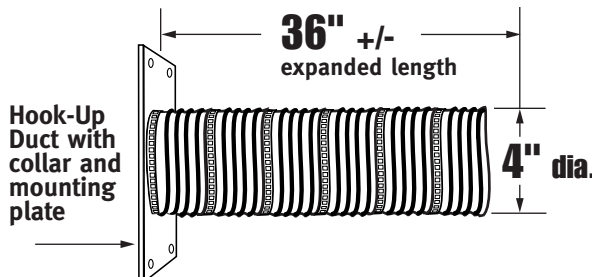
- flexible, semi-rigid aluminum

General Information

- quick, easy installation
- easily installs over the exhaust hole, under the eave (soffit) to exhaust air from dryers / bathroom fans
- helps prevent cold air from entering home, birds from nesting in vents and rodents from entering through vents
- included is a full size mounting template



Hook-Up Duct is crimped on one end for easy connection to existing exhaust duct



Application View

6/01

© 2001

DEFLECTO CORPORATION • P.O. Box 50057 • Indianapolis, IN 46250 • www.deflecto.com
DEFLECTO/Canada Ltd. • St. Catharines, Ontario • Canada L2M 3Y2

Deflecto's policy is one of continual product improvement in design and manufacturing wherever possible, therefore all specifications and designs are subject to change without notice and without incurring obligations.

EVEK4tps