



6390 Phillips Highway
 Jacksonville, FL 32216
 Phone (904) 737-7144

SPECIFICATION DATA SHEET

MODEL No. 271

Date: 05/02/14 rev.

Drawn by: DON.JR.

TEE

DIMENSIONAL DATA

SIZES:

"D" x "L"	"D" x "L"
3" 11"	10" 17 ¼"
4" 12"	12" 25 ½"
5" 13 ½"	14" 26"
6" 13 ½"	16" 28 ½"
7" 14 ½"	18" 31 ½"
8" 14 ½"	20" 32"
9" 17 ¼"	24" 32"

FABRICATION DATA

FABRICATED FROM HOT DIPPED GALVANIZED
 STEEL SHEET OF LOCK FORMING QUALITY
 PER ASTM-A653 CS TYPE B.

GAUGES:

- 3" THROUGH 8" = 30 GA.
- 9" THROUGH 12" = 28 GA.
- 14" THROUGH 18" = 26 GA.
- 20" THROUGH 24" = 24 GA.

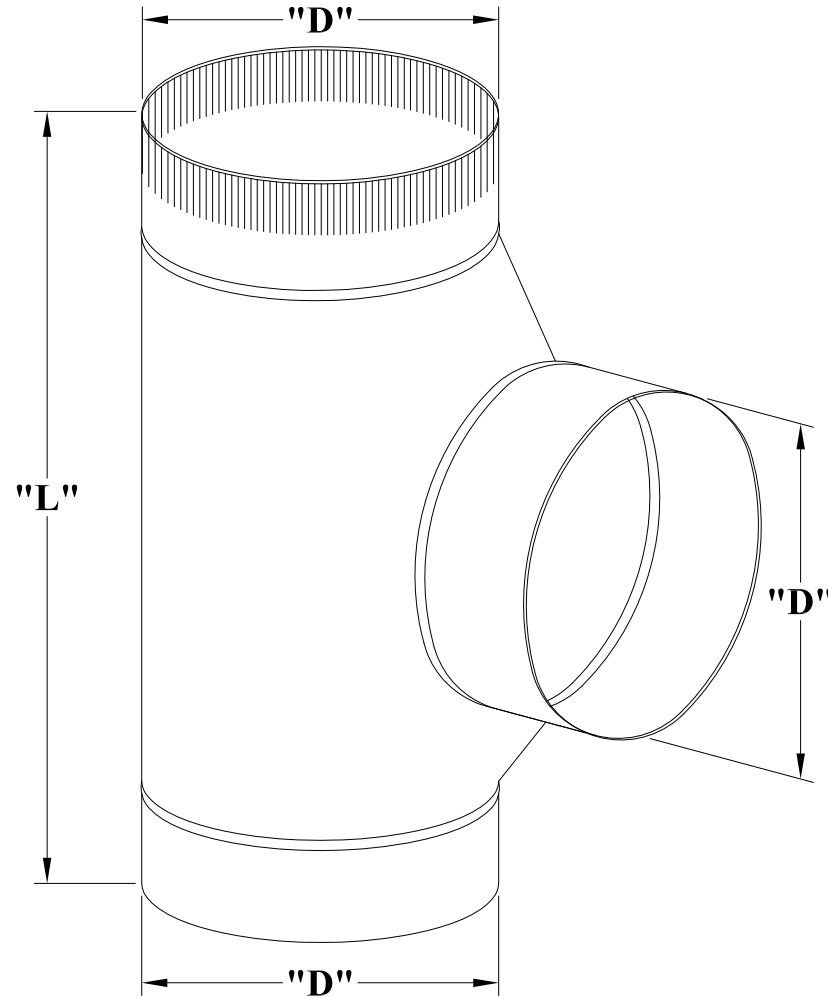
FEATURES

TRANSVERSE CONNECTIONS:
 ONE CRIMP MALE END AS SHOWN

OPTIONS

ALUMINUM AND STAINLESS STEEL TEES
 ARE AVAILABLE IN LIMITED GAUGES AND
 DIAMETERS.

26" THROUGH 30" DIAMETERS AVAILABLE
 UPON REQUEST.



SPECIAL NOTES