



6390 Philips Highway
Jacksonville, FL 32216
Phone (904) 737-7144

SPECIFICATION DATA SHEET

Date: 05/18/18

Drawn by: M.D.C.

MODEL No. 1580-GPS

INSULATED REGISTER BOX, FACTORY SEALED,
THERMA SEAL GASKET AT REGISTER OPENING,
with PAINT SHIELD

DIMENSIONAL DATA

4-1/2" HIGH FRAMED BOX.

3" LONG COLLAR WITH CONVEX BEAD.

OUTER BOX DIMENSION IS 3" GREATER THAN
REGISTER DIMENSION.

AVAILABLE IN REGISTER SIZES:

8" x 4" 10" x 6" 12" x 6" 12" x 8" 12" x 12"

FABRICATION DATA

FABRICATED FROM 30 GAUGE GALVANIZED
STEEL.

INTERNALLY INSULATED WITH R-6 INSULATION.

FEATURES

BLACK INTERIOR.

SOLID CORNERS WITH HANGER HOLES.

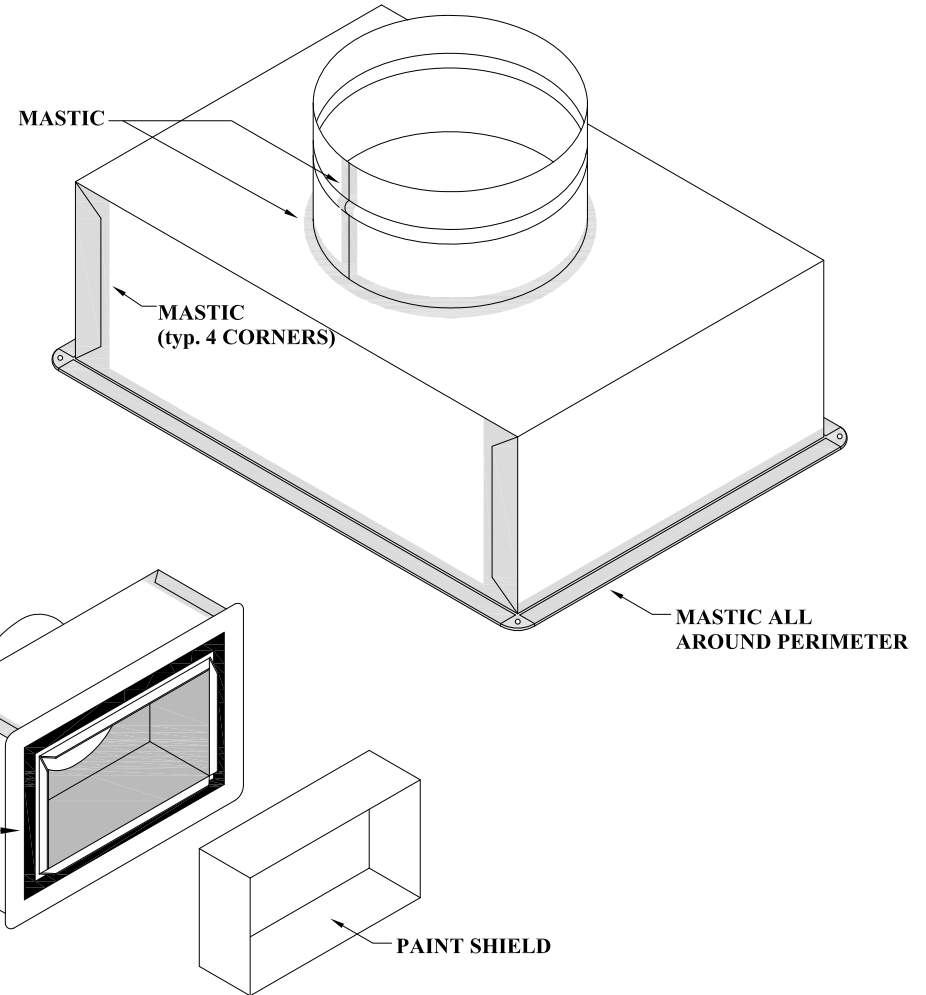
1/2" DRYWALL FLANGE.

5 HOLE CLUSTER FOR REGISTER ATTACHMENT.

GASKET AROUND REGISTER OPENING SEALS
BOX WHERE IT PENETRATES BUILDING
ENVELOPE.

FACTORY SEALED WITH UL 181 MASTIC.

FACTORY INSTALLED PAINT SHIELD.



OPTIONS

SPECIAL NOTES

GASKET TESTED TO ASTM E-84-91. FLAME SPREAD LESS THAN 25, SMOKE DENSITY LESS THAN 50.
INTERNAL INSULATION USED MEETS THE REQUIREMENTS OF ASTM C 1338 (FORMERLY ASTM C 665)
STANDARD TEST FOR FUNGI RESISTANCE.