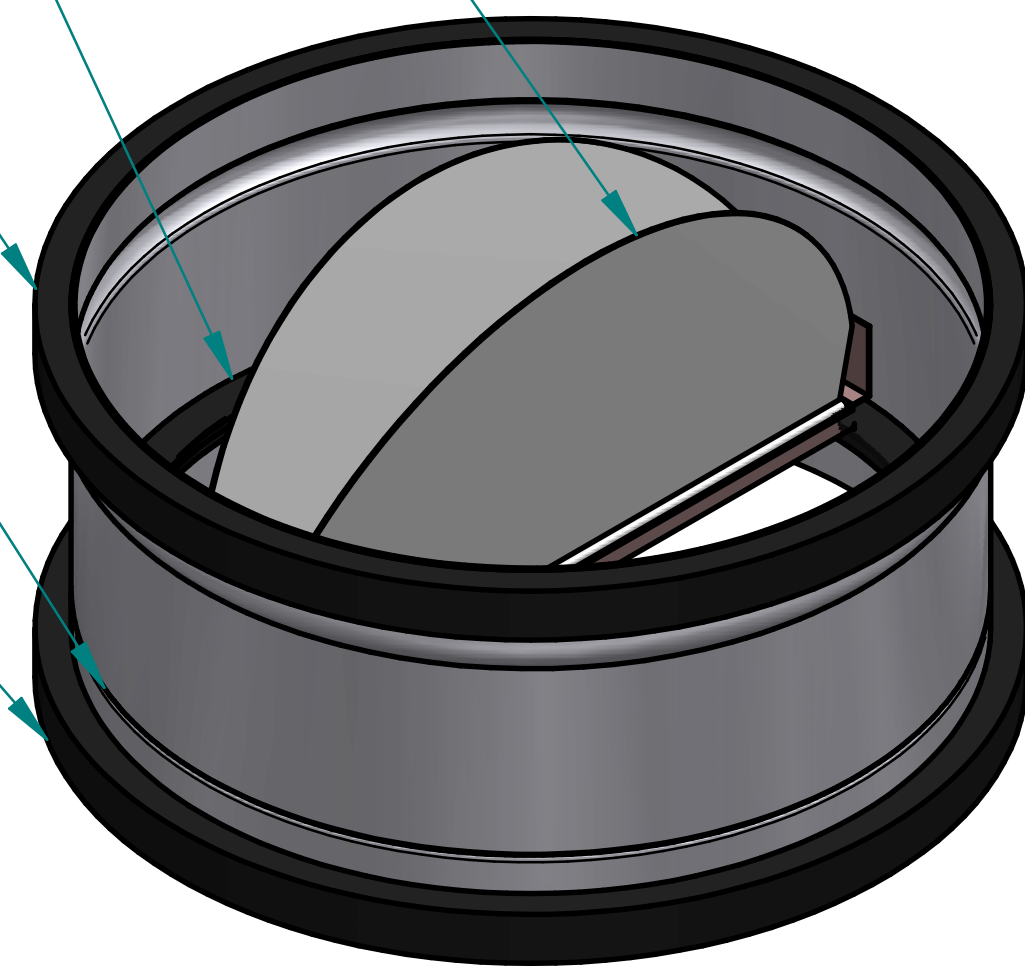
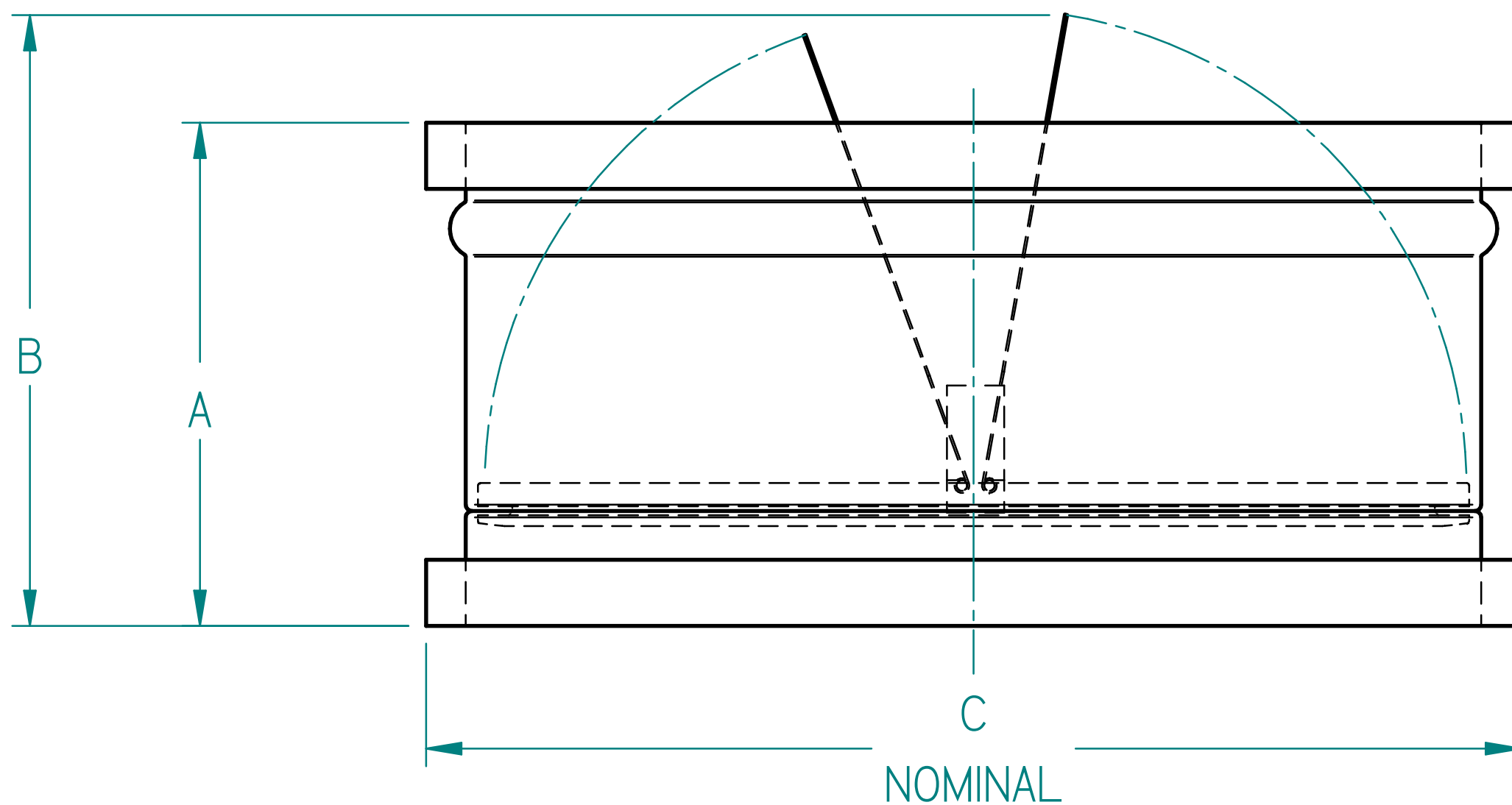


AIRFLOW
DIRECTION

ALUMINUM DAMPER BLADES
NEOPRENE BLADE GASKET
FOAM BODY SEAL
SATIN COAT STEEL BODY
FOAM BODY SEAL



BLADES OPEN



DAMPER		DIMENSIONS (IN INCHES)		
MODEL	SIZE	A	B	C
BDD250	10	4.75	5.75	9.8
BDD300	12	6.25	6.75	11.8

DIMENSIONS SUBJECT TO CHANGE WITHOUT NOTICE.
DRAWING NOT TO BE USED FOR CONSTRUCTION.

		CFM Better Airflow By Design	
		SPRING LOADED BACKDRAFT DAMPERS	
		BDD GENERAL SUBMITTAL	
01	06 APR. 2016	JME	
REV.	DATE	BY	J. M. EVANS 06 APR. 2016 BDD GENERAL SUBMITTAL.dft