

Industrial / Commercial Evaporative Cooler Manual



Models

75/85 DD	75/85 SD
95 DD	95 SD
10/12 DD	10/12 SD
14/21 DD	14/21 SD

Circle the model of your cooler and record the serial number below.

Encierre con un círculo el modelo de su enfriador y escribe el número de serie abajo.

Read Carefully All Of This Manual Before Installing The Unit.

Lea Con Cuidado Todo Este Manual Antes De Instalar La Unidad.

Serial #

Número De Serie _____

Read And Save These Instructions

Vea el Español en el interior.

Table Of Contents

Safety Instructions2	Parts List (<i>Lista de Piezas</i>) - 10/12, 14/218
Operation.....2	Parts List (<i>Lista de Piezas</i>) - 75/85, 959
Installation Instructions..... 2-3	Parts Drawing (<i>Dibujo de Piezas</i>) - 75/85DD, 95DD.....10
Maintenance Section.....3	Parts Drawing (<i>Dibujo de Piezas</i>) - 75/85SD, 95SD11
Electrical Wiring Diagrams.....4	Motor Specifications (<i>Especificaciones del Motor</i>) - 75/85DD, 95DD.10
Troubleshooting5	Motor Specifications (<i>Especificaciones del Motor</i>) - 75/85SD, 95SD ..11
Warranty.....5	Motor Specifications (<i>Especificaciones del Motor</i>) - 10/12, 14/21....12
Parts Drawing (<i>Dibujo de Piezas</i>) - 10/12SD, 14/21SD.....6	General Specifications (<i>Especificaciones Generales</i>).....12
Parts Drawing (<i>Dibujo de Piezas</i>) - 10/12DD, 14/21DD7	Spanish (<i>Instrucciones en Español</i>)..... 13-16

Safety Rules

1. Read instructions carefully.
2. Disconnect all electrical service that will be used for the unit before you begin the installation.
3. Electrical hook up should be done by a qualified electrician, so that all electrical wiring will conform to your local standards.
4. For a maximum safety precaution, make sure cooler cabinet is properly grounded to a suitable ground connection.
5. Cooler must be connected to proper line current, voltage and cycle, as stamped on cooler motor and pump motor specification plate.
6. Do not allow pump to tip over and become submerged.
7. Always **DISCONNECT POWER** before installing unit or performing any maintenance.

⚠WARNING: To reduce the risk of fire, electric shock and injury to persons, this cooler must be installed with motors and pumps listed on the notice decal and marked to indicate suitability with this model. Other motors and pumps cannot be substituted.

Operation

For the best cooling performance, if the pads are dry, pre-wet the pads by running the pump for a few minutes before starting the blower.

These coolers may also be used without water for ventilation purposes. When outside air is cool (for example, at night) or when humidity is high the water pump can be turned off.

IMPORTANT: To cool efficiently, you must exhaust the stale or used air from the building. Open windows or doors or use exhaust fans located away from the cooler and in the direction you wish to cool the air. The air will flow in the direction of the exhaust openings. A common guide for the amount of exhaust opening needed is to have at least 2 square feet of opening per 1000 CFM.

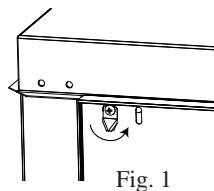
Installation

⚠CAUTION: Make sure that the mounting surface is strong enough to support the operating weight of the cooler when in use. (For operating weight, see Specification Table.)

⚠CAUTION: Never supply power to cooler until installation is complete and unit has been tested for rigidity.

⚠CAUTION: Make sure all bolts are securely tightened before starting the cooler.

- **Louvered Side Panels.** The louver panels have a locking latch on each top corner to secure it in place. To remove the louvered panel you will need to loosen the latch screws on either side of the panel. Loosen the screws enough to rotate the latch handle, but do not remove completely. Rotate the latch handle towards the center of the louvered panel (see fig. 1). Tilt the top of the louver panel outward away from the top pan and lift out from cooler.



To reinstall the panel, first insert the bottom of the panel into the bottom pan. Tilt the panel forward so that it rests against the top pan. You will need to keep the latch handles rotated to the side to keep the lock from hitting the top pan. Once the louver panel is in place, rotate the latch handle so that the handle is facing down. Tighten the screws to lock latch and secure panel in place.

- **Ductwork.** See the General Specification table for the duct opening dimension for your specific cooler. For down discharge units models 10/12DD and 14/21DD, the duct must go inside the opening. Size these ducts slightly smaller than the duct opening in the cooler. On 75/85DD and 95DD models the duct may go to the inside or outside of the duct flange. The side discharge units have a 1 inch flange. Size these ducts larger than the duct opening to fit over the flange of these units.

Note: Curbs are not provided. The installer is responsible for providing curbs or other means to support the cooler. We recommend that roof penetration only be as large as ductwork coming from unit. Water drain should be outside curb if possible.

Motor Installation

- **Mount motor.** Slide the heads of the provided carriage bolts into the slots of the adjustable channels. Slide these channels sideways in the slotted holes to align with the holes in the motor base and to align the motor shaft with the blower pulley. Mount the motor to the motor mount using these carriage bolts and the washers and nuts provided (see Fig. 2). Make sure all bolts are securely tightened.
- **Install pulley.** Install the adjustable motor pulley so that it aligns with the blower drive pulley (see Fig. 3) and tighten set screw. See page 3 for instructions on adjusting pulley.

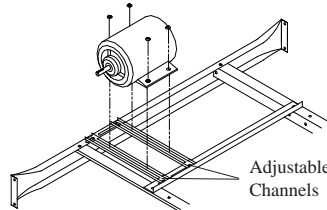


Fig. 2

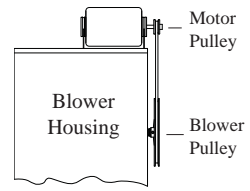


Fig. 3

Electrical Installation

NOTE: Local building code regulations must be observed.

⚠WARNING: Disconnect all electrical service that will be used for this unit before you begin the installation.

- **Electrical Supply.** Cooler must be supplied with the proper line current, voltage and frequency, as stamped on cooler motor and pump motor specification plate. See the wiring diagrams on page 4 for typical electrical connections. **NOTE:** Connecting improper voltage to motor will void motor warranty.
- **Wire sizing.** The conductor sizes are to be determined by motor loads and length of run per national and local electrical codes.
- **Switches or contactors.** Motors require switches or contactors of proper current capacity and should be sized and installed by a competent electrician.

⚠WARNING: Make sure that cooler cabinet is properly grounded to a suitable ground connection for maximum safety.

Water Connection

- **Overflow assembly.** Remove nut and place nipple through the hole in the pan, with the rubber washer between the pan and the head of the drain nipple (Fig. 4). Screw on nut and draw up tight against bottom of pan. Insert overflow pipe in nipple to retain water. The overflow pipe may be removed to drain the pan when necessary. The male threads of the Nipple are standard 3/4" garden hose threads.

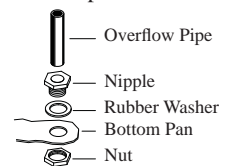


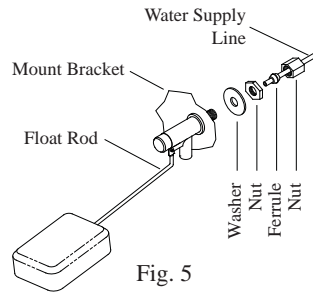
Fig. 4

Maintenance

To drain water away from unit, drain pipe can be attached to the nipple using a NPT to GHT adapter which can be purchased at a local hardware store. Follow local plumbing codes.

- **Pump.** The pump must be secured to prevent it from tipping over. Secure the pump to the pump mounting bracket. For the 10/12 and 14/21 models, remove the mounting screw on the top of the pump and using this same screw, secure the pump to the pump mount. To secure the pump for the 75/85 and 95 models, slide the pump into the slot of the pump mount and secure with the plastic retainer.

- **Water Supply.** Run a water supply line to the unit. The float valve requires a 3/8 inch tube connection. **NOTE: Do not use water supplied from a water softener.**



- **Float valve.** Install the float valve to the mount bracket in the cooler (Fig. 5) and attach water supply line. Note: 75/85 and 95 units come with the float valve installed. For the other models, the float is purchased separately.

- **Filling pan.** Turn on water supply and check for leaks. Allow water to fill to within 1" of top of pan. Loosen the screw on the float rod to adjust the float and retighten the screw.

- **Water troughs.** Operate pump until pads are saturated. Check each trough to see if water is evenly dispersed in the trough. If they are not, loosen adjustment bolts and level trough. Retighten bolts. Check to see that all pads are saturated with water and that there are no dry spots or openings in the pads.

- **Bleed-Off.** Use of a bleed-off kit is recommended to prevent scale build up by bleeding off small amounts of circulating water during operation. Do not add any type of water treatment chemicals to the water.

Pulley And Belt Adjustments

- **Pulley adjustment.** With an ammeter, check the motor amperage. Adjust the pulley until the amperage draw on the motor is just below that specified on the motor nameplate. To adjust the pulley, loosen the adjustment set screw and rotate the sheave. Tighten the set screw so that it is over a flat area, otherwise thread damage will occur. To increase amperage draw, increase pulley diameter. To decrease amperage draw, decrease pulley diameter (Fig. 6). Recheck belt alignment.

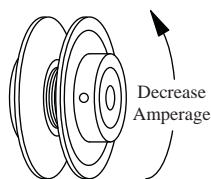


Fig. 6

CAUTION: When it is necessary to adjust pulley, amperage of motor must be checked to make certain it does not exceed the maximum allowed as stamped on motor specification plate. Improper pulley adjustment will overload and burn out motor.

- **Belt tension.** Loosen the motor mount bolts and slide the motor back until the belt is properly tensioned. A 3 lb. force should deflect the belt 3/4 inches (see Fig. 7). Retighten motor mount bolts. **Do not adjust pulley to tighten belt.**

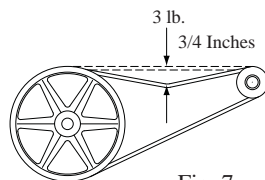


Fig. 7

WARNING: Before doing any maintenance be sure to disconnect from power source. This is for your safety.

Spring Start-Up

- **Belt tension.** Check belt tension and readjust if needed.

- **Oil bearings.** The blower bearings and cooler motor in this unit should be oiled with a few drops of non-detergent 20/30 weight oil once each year. The motor does not need oil if it has no oil lines for oiling. Motors that have no oil lines are lifetime oiled at the factory and require no further oiling for the life of the unit.

CAUTION: Do not over oil. Over oiling can cause motor burn out, due to excessive oil getting into motor winding.

- **Change Pads.** The pads should be replaced once or twice a season, depending upon the length of the season. At the beginning and at mid season a clean pad is more absorbent and efficient and will deliver substantially more cool air.

- **Clean pump.** Cleaning the pump is necessary once a year at start-up. For your safety, disconnect from power source and unplug pump. Remove the pump from the mount bracket. Remove the base of the pump (Fig. 8). Clean the pump and turn the impeller to ensure free operation. Remove the pump spout and check for any blockage. After cleaning, reinstall the base onto the pump. Reattach the pump to the mount in the cooler to ensure that the pump will not overturn. Do not forget to replace the spout and water delivery tube onto the pump outlet. The pump has automatic reset thermal protection. Pump will operate normal again after obstruction is cleared.

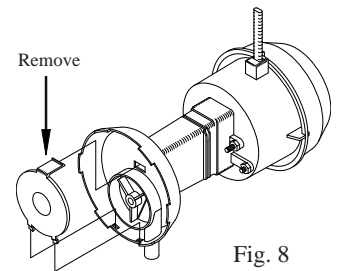


Fig. 8

- **Bleed off.** Check bleed-off valve to be sure it is not clogged.

Winter Shut Down

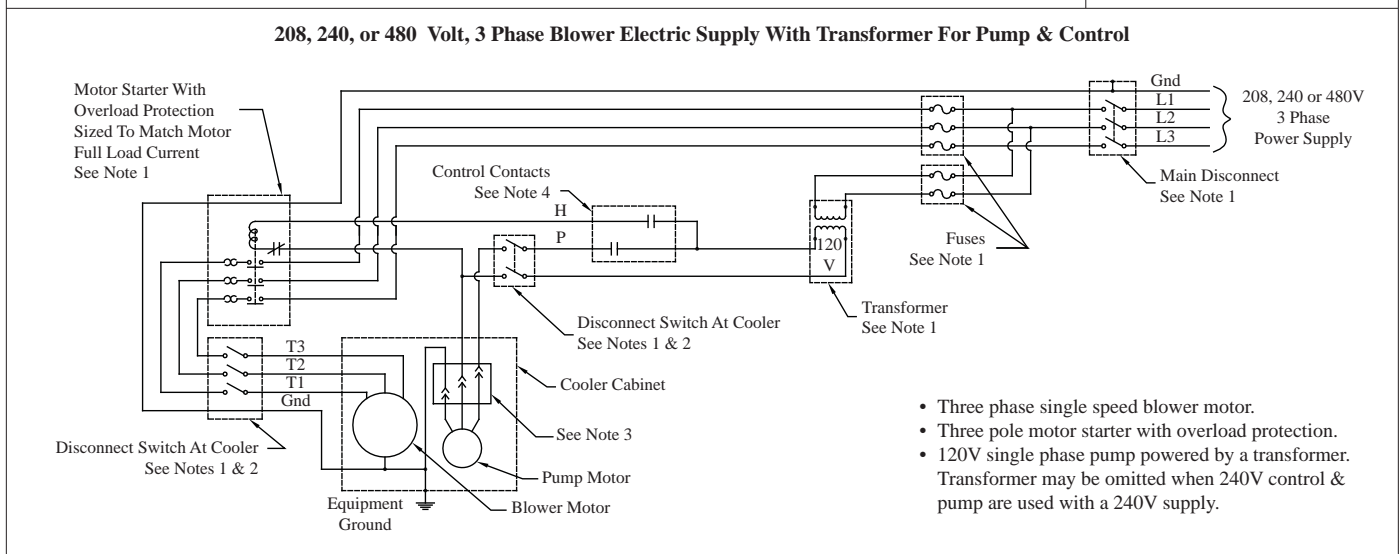
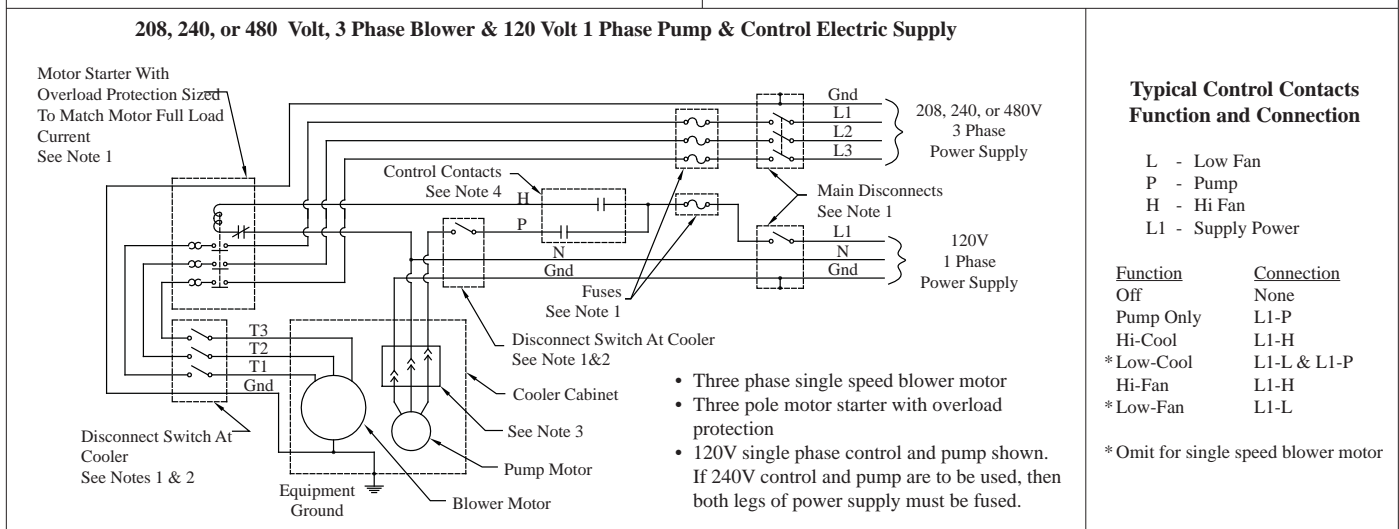
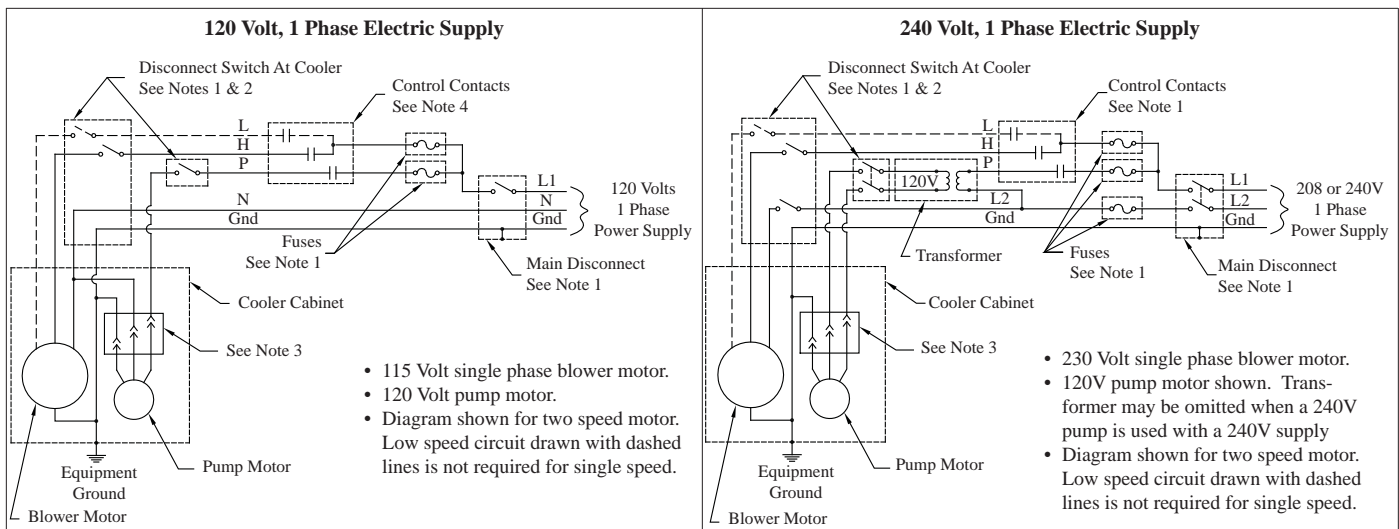
- **Drain water.** Always drain all of the water out of the cooler and water supply line when not in use for prolonged periods, and particularly at the end of the season. Keep the water line disconnected from both the unit and water supply so that it does not freeze.

- **Disconnect from power supply when not in use for extended periods of time.**

- **Cover unit.** To protect the life of the finish, a cover for the unit is suggested in extended periods of non use.

By following the operating, installation, and maintenance suggestions as outlined, you can get many years of efficient and satisfactory service from your cooler. In the event additional information is desired, your dealer will be more than glad to assist you in every possible way.

Typical Electrical Wiring Diagrams



⚠WARNING: Electrical hookup should be performed by a qualified electrician. All electrical wiring must conform to national and local standards.

NOTE 1. All switches, motor starters, transformers, fuses, junction boxes, receptacles, receptacle boxes, cover plates, and conductors shall be supplied by the installer and must comply with local and national electrical codes.

NOTE 2. The national electric code requires a disconnect switch located at equipment if the main disconnect at equipment controller is not visible from the equipment. If more than one disconnect is used they must be mounted adjacent to one another.

NOTE 3. A receptacle for a NEMA 5-15P plug is required for 120V recirculating pump and a receptacle for a NEMA 6-15P plug for 230V pump.

NOTE 4. The control contacts may be part of a switch, thermostat or other control device.

Troubleshooting Guide

<u>Problem</u>	<u>Possible Cause</u>	<u>Remedy</u>
Failure to start or no air delivery	<ol style="list-style-type: none"> No electrical power to unit <ul style="list-style-type: none"> Fuse blown Circuit breaker tripped Belt too loose or tight Motor overheated <ul style="list-style-type: none"> Belt too tight Blower bearings dry Motor bearings dry Motor pulley diameter too large Motor locked 	<ol style="list-style-type: none"> Check power <ul style="list-style-type: none"> Replace fuse Reset breaker Adjust belt tension Determine cause of overheating <ul style="list-style-type: none"> Adjust belt tension Oil blower bearings Oil motor bearings Adjust pulley to correct diameter Replace motor
Inadequate air delivery with cooler running	<ol style="list-style-type: none"> Insufficient air exhaust Belt too loose Pads plugged Insufficient water flow over pads 	<ol style="list-style-type: none"> Open windows or doors to increase air flow Adjust belt tension or replace if needed Clean pads Clean water distribution system and trough openings
Musty or unpleasant odor	<ol style="list-style-type: none"> Stale or stagnate water in cooler Pads not wetting properly <ul style="list-style-type: none"> Trough holes clogged Pump not working properly Insufficient water flow over pads 	<ol style="list-style-type: none"> Drain pan and clean pads Check water distribution system <ul style="list-style-type: none"> Clean Replace or clean pump (Unplug) Clean distribution system and trough openings

<u>Problem</u>	<u>Possible Cause</u>	<u>Remedy</u>
Motor cycles on and off	<ol style="list-style-type: none"> Low voltage Excessive belt tension Blower shaft tight or locked Bearings dry Motor pulley diameter too large causing motor overload Faulty motor 	<ol style="list-style-type: none"> Check voltage Adjust belt tension Oil or replace bearings (Disconnect unit) Oil bearings Adjust pulley so full load ampere rating of motor is not exceeded Replace motor
Noisy	<ol style="list-style-type: none"> Bearings dry Wheel rubbing blower housing Loose parts 	<ol style="list-style-type: none"> Oil bearings Inspect and realign (Disconnect unit) Tighten loose parts
Inadequate cooling	<ol style="list-style-type: none"> Inadequate exhaust in house Pads not wet <ul style="list-style-type: none"> Pads plugged Open spots in pads Trough holes clogged Pump not working properly 	<ol style="list-style-type: none"> Open windows or doors to increase air flow Check water distribution system <ul style="list-style-type: none"> Clean pads Repack pads Clean Replace or clean pump (Unplug)
Excessive humidity in house	<ol style="list-style-type: none"> Inadequate exhaust 	<ol style="list-style-type: none"> Open doors or windows

Register your product online at: www.essickair.com/cooler-product-registration

Limited Warranty

This warranty is extended to the original purchaser of an evaporative cooler installed and used under normal conditions. It does not cover damages incurred through accident, neglect, or abuse by the owner. We do not authorize any person or representative to assume for us any other or different liability in connection with this product.

Terms And Conditions Of Warranty

For Five Years from date of purchase, we will replace the base assembly if water leakage should occur due to rust out.

For One Year from date of purchase, we will replace any original cabinet component which fails due to defect in material or factory workmanship only.

Exclusions From The Warranty

We are not responsible for replacement of cooler pads. These are disposable components and should be replaced periodically. We are not responsible for any incidental or consequential damage resulting from any malfunction.

We are not responsible for any damage received from the use of water softeners, chemicals, descale material, plastic wrap or if a motor of a higher horsepower than what is shown on the serial plate is used in the unit.

We are not responsible for the cost of service calls to diagnose cause of trouble, or labor charge to repair and/or replace parts.

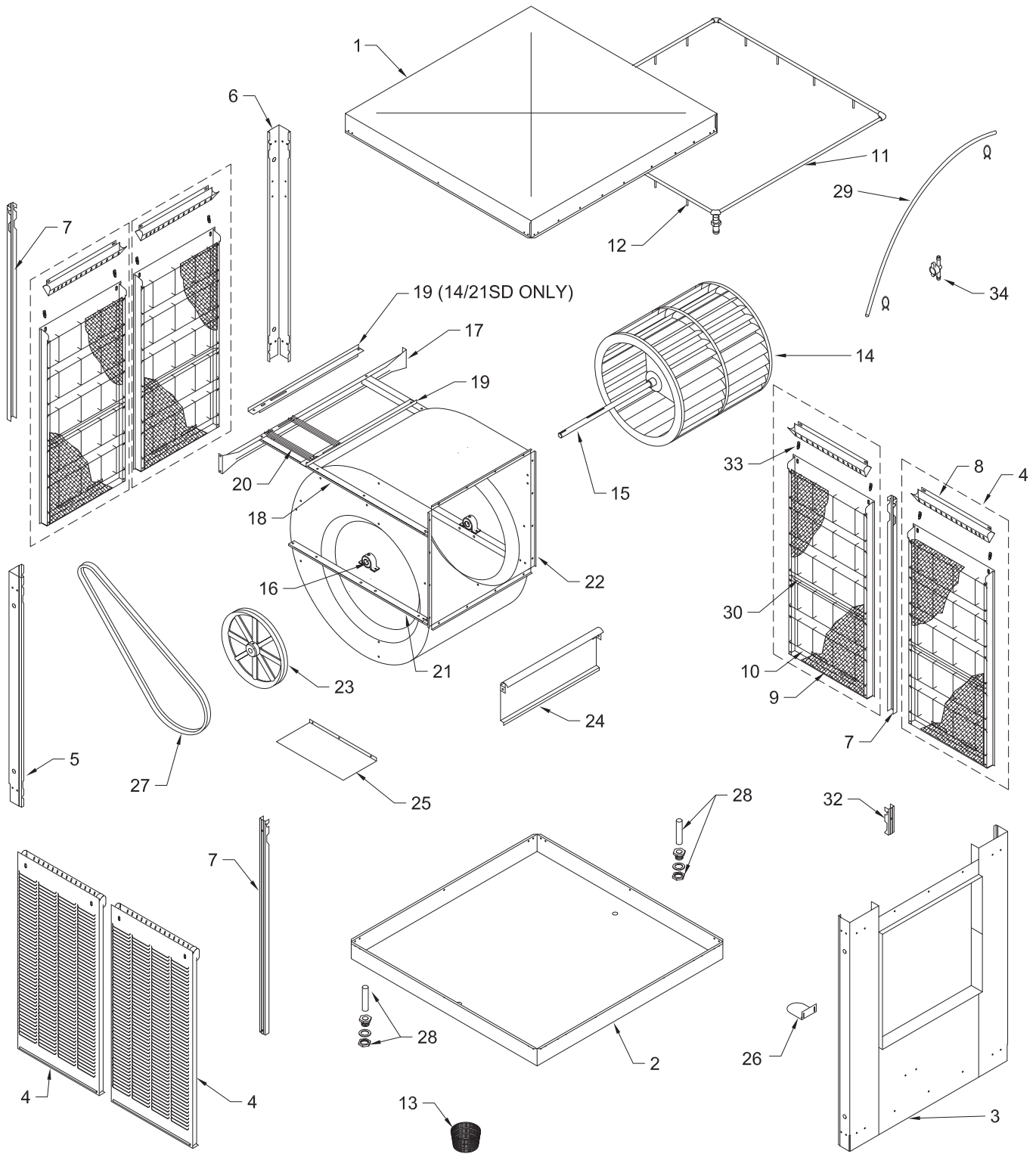
How To Obtain Service Under This Warranty

Contact the Dealer where you purchased the evaporative cooler. If for any reason you are not satisfied with the response from the dealer, contact the Customer Service Department: 5800 Murray Street, Little Rock, Arkansas 72209. 1-800-643-8341. E-mail: info@championcooler.com, Web: www.championcooler.com.

This limited warranty applies to original purchaser only.

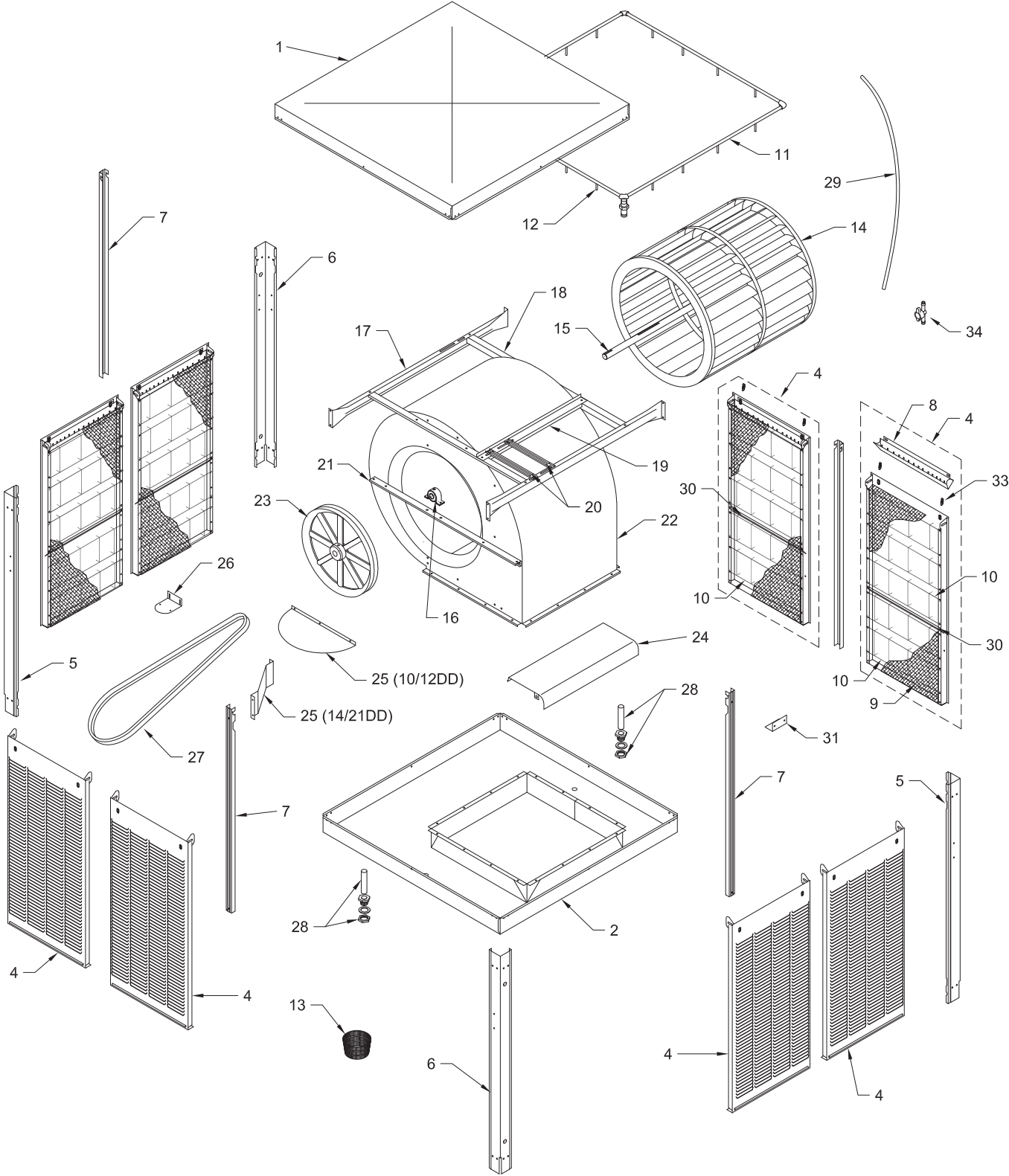
Replacement Parts / Piezas De Repuesto

10/12 SD, 14/21 SD



Replacement Parts / Piezas De Repuesto

10/12 DD, 14/21 DD



Replacement Parts List / *Lista De Piezas De Repuesto*

All parts may be ordered from your dealer, but not directly from the factory. Be sure that you furnish the following information on all orders. / *Todas las partes pueden ser pedidas con su concesionario, pero no directamente a la fábrica. Incluya toda la información siguiente con su pedido:*

1. Cooler serial number / *Número de serie de la unidad*
2. Description and part number / *Descripción y número de parte*
3. Cooler size / *Tamaño de la unidad*
4. Date of purchase / *Fecha de compra*

Failure to supply all of this information will delay your order. / *El no proporcionar toda esta información resultará en una demora.*

No. <i>N°</i>	<i>Description / Descripción</i>	10/12 SD	10/12 DD	14/21 SD	14/21 DD
1.	Top Pan / <i>Bandeja Superior</i>	220116-011	220116-010	218117-037	218117-036
2.	Bottom Pan / <i>Bandeja Inferior</i>	218116-038	318116-025	216117-006	316117-002
3.	Front Panel / <i>Panel Del Frente</i>	318116-002	-	318117-002	-
4.	Louvered Side Assembly / <i>Montaje De La Reja Lateral</i>	322116-004	322116-004	322117-004	322117-004
5.	Corner Post, Right / <i>Poste De Esquina, Derecho</i>	218003-001	218003-001	218003-002	218003-002
6.	Corner Post, Left / <i>Poste De Esquina, Izquierdo</i>	218003-003	218003-003	218003-004	218003-004
7.	Center Post / <i>Poste Central</i>	218002-001	218002-001	218002-002	218002-002
8.	Water Trough / <i>Canal De Agua</i>	226003-001	226003-001	226003-002	226003-002
9.	Aspen Pads / <i>Filtros De Paja</i>	110097	110097	110098	110098
10.	Pad Retainers / <i>Soporte Para El Filtro</i>	3PW-8	3PW-8	3PW-9	3PW-9
11.	Water Distributor Assembly / <i>Sistema Del Distribuidor De Agua</i>	3D-11	3D-12	3D-13	3D-14
12.	Nozzle, Water Distributor / <i>Boquilla Del Distribuidor De Agua</i>	110569	110569	110569	110569
13.	Pump Screen / <i>Malla Para La Bomba</i>	281001-001	281001-001	281001-001	281001-001
14.	Blower Wheel / <i>Rueda</i>	25BW	25BW	29BW-BR	29BW-BR
15.	Shaft, Blower Wheel / <i>Eje De La Rueda</i>	110158	110158	110159	110159
16.	Bearings, Blower Wheel Shaft / <i>Cojinetes Del Eje De La Rueda</i>	110358	110358	110358	110358
17.	Channel Retainer Support / <i>Retenedor De Canal</i>	214007-007	214007-002	214007-008	214007-004
18.	Motor Mount Support / <i>Soporte Para El Montura Del Motor</i>	214116-003	214116-003	214117-003	214117-003
19.	Motor Mount Crossbrace / <i>Travesaño De La Montura Del Motor</i>	214001-009	214001-009	214001-007	214001-007
20.	Motor Mount Adjustable Channel / <i>Montura Ajustable Del Motor</i>	214112-002	214112-002	214112-003	214112-003
21.	Bearing Mount Support / <i>Soporte Para Los Cojinetes</i>	214116-001	214116-005	212103-001	212102-001
22.	Blower Housing / <i>Caja De La Rueda</i>	320116-001	320116-001	320117-001	320117-001
23.	Pulley, Blower Wheel / <i>Polea De La Rueda</i>	110281	110281	110298	110298
24.	Cut-Off Plate / <i>Placa Externa</i>	318112-004	318112-004	318112-003	318112-003
25.	Air Baffle / <i>Baffle Del Aire</i>	220116-002	220116-002	220116-005	222119-001
26.	Pump Mount / <i>Soporte De La Bomba</i>	214003-023	214003-023	214003-023	214003-023
27.	Drive Belt / <i>Correa</i>	110232	110231	*110219	*110219
28.	Over Flow Assembly / <i>Montaje De Desagüe</i>	3OA-1	3OA-1	3OA-1	3OA-1
29.	Tube, Water Delivery / <i>Tubo De Agua</i>	310717	310717	310717	310717
30.	Deflector Strip / <i>Tira De Desviación</i>	222116-002	222116-002	222117-002	222117-002
31.	Float Mount / <i>Soporte Del Flotador</i>	-	214003-010	-	214003-010
32.	Water Distributer Support Bracket / <i>Soporte Del Distribuidor De Agua</i>	218002-003	-	218002-003	-
33.	Latch Assembly (2 Per Side) / <i>Montaje Cerradura (2 Por Cada Panel)</i>	318124	318124	318124	318124
34.	Water Control Valve / <i>Válvula de Control de Agua</i>	110609	110609	110609	110609

* 14/21SD & 14/21DD Coolers require 2 belts / *Los modelos 14/21SD y 14/21DD requieren dos correas.*

NOTE: Standard hardware items may be purchased from your local hardware store.
 NOTA: *Artículos de uso corriente pueden comprarse en la ferretería de su localidad.*

Replacement Parts List / *Lista De Piezas De Repuesto*

All parts may be ordered from your dealer, but not directly from the factory. Be sure that you furnish the following information on all orders. / *Todas las partes pueden ser pedidas con su concesionario, pero no directamente a la fábrica. Incluya toda la información siguiente con su pedido:*

1. Cooler serial number / *Número de serie de la unidad*
2. Description and part number / *Descripción y número de parte*
3. Cooler size / *Tamaño de la unidad*
4. Date of purchase / *Fecha de compra*

Failure to supply all of this information will delay your order. / *El no proporcionar toda esta información resultará en una demora.*

No.	Description / Descripción	75/85DD	75/85SD
<u>N°</u>	<u>Description / Descripción</u>	<u>95DD</u>	<u>95SD</u>
1.	Top Pan / <i>Bandeja Superior</i>	220905-005	220905-004
2.	Bottom Pan / <i>Bandeja Inferior</i>	320908-004	220906-004
3.	Louvered Side Assembly / <i>Montaje De La Reja Lateral</i>	322115-005	322115-005
4.	Water Trough / <i>Canal De Agua</i>	226003-004	226003-004
5.	Aspen Pads / <i>Filtros De Paja</i>	110096	110096
5A.	*Glass Fiber Pads / <i>Filtros De Vidrio</i>	*110129-004	*110129-004
6.	Pad Retainers / <i>Soporte Para El Filtro</i>	3PW-7	3PW-7
7.	Corner Post / <i>Poste De Esquina</i>	324003-060	324003-060
9.	Cut-Off Plate / <i>Placa Externa</i>	320102-002	320102-002
10.	Blower Housing / <i>Caja De La Rueda</i>	322115-002	322115-002
11.	Blower Wheel / <i>Rueda</i>	21BW	21BW
12.	Shaft, Blower Wheel / <i>Eje De La Rueda</i>	110157	110157
13.	Bearings, Blower Wheel Shaft / <i>Cojinetes Del Eje De La Rueda</i>	110357	110357
14.	Pulley, Blower Wheel / <i>Polea De La Rueda</i>	110280	110280
15.	Drive Belt / <i>Correa</i>	**	**
16.	Float Valve / <i>Válvula Del Flotador</i>	FL 3/8	FL 3/8
17.	Pump Mount / <i>Soporte De La Bomba</i>	218001-031	218001-031
18.	Pump Screen / <i>Malla Para La Bomba</i>	281001-001	281001-001
20.	Tube, Water Delivery / <i>Tubo De Agua</i>	310716	310716
22.	Water Distributor Assembly / <i>Sistema Del Distribuidor De Agua</i>	3D-7	3D-8
23.	Holder, Water Distributor / <i>Soporte Para El Distribuidor De Agua</i>	110574	110574
24.	Over Flow Assembly / <i>Montaje De Desagüe</i>	30A-1	30A-1
25.	Air Baffle / <i>Bafle Del Aire</i>	220116-002	220116-006
27.	Bearing Mount Support / <i>Soporte Para Los Cojinetes</i>	214118-001	214115-006
28.	Motor Mount Crossbrace / <i>Travesaño De La Montura Del Motor</i>	214001-005	214001-005
29.	Motor Mount Support, Right / <i>Soporte Para El Montura Del Motor; Derecho</i>	214118-004	214115-002
30.	Motor Mount Support, Left / <i>Soporte Para El Montura Del Motor; Izquierdo</i>	214118-004	214115-002
31.	Channel Retainer Support / <i>Retenedor De Canal</i>	218115-023	218115-001
32.	Motor Mount Adjustable Channel / <i>Montura Ajustable Del Motor</i>	214112-004	214112-004
34.	Bleed-Off Kit / <i>Equipo De La Válvula De Desahogo</i>	310586	310586
35.	Deflector Strip / <i>Tira De Desviación</i>	222115-003	222115-003
36.	Front Panel / <i>Panel Del Frente</i>		320115-001
37.	Pump Retainer / <i>Retenedor De La Bomba</i>	110714	110714
38.	Latch Assembly (2 Per Side) / <i>Montaje Cerradura (2 Por Cada Panel)</i>	318124	318124
39.	Water Control Valve / <i>Válvula de Control de Agua</i>	110608	110608

* Used for 95DD and 95SD units only. / *Utilizado por los modelos 95DD y 95SD solamente.*

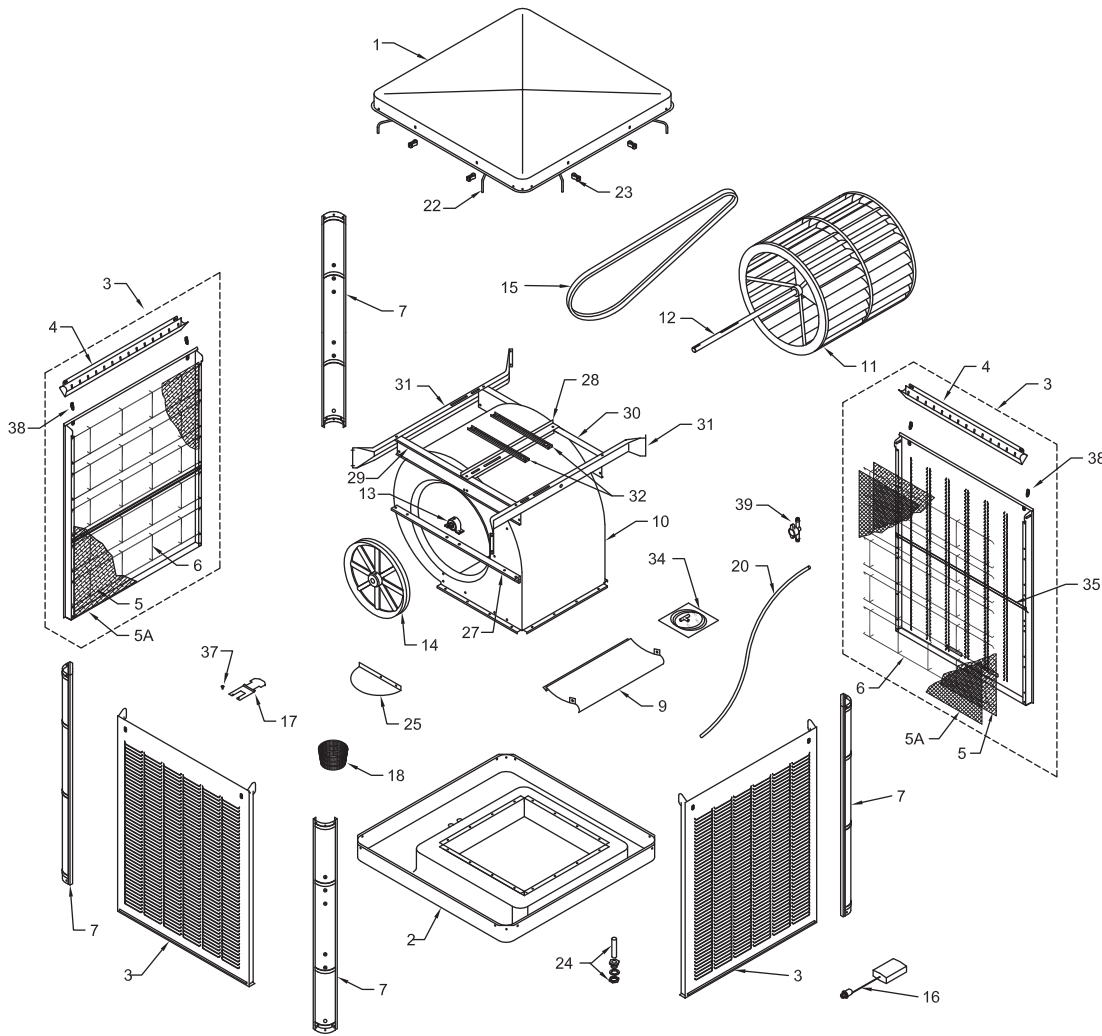
** See Motor Specification table. / *Véase la table de especificaciones del motor.*

NOTE: Standard hardware items may be purchased from your local hardware store.

NOTA: *Artículos de uso corriente pueden comprarse en la ferretería de su localidad.*

Replacement Parts / Piezas De Repuesto

75/85 DD, 95 DD



Motor Specifications / Especificaciones Del Motor

Model Modelo	HP C.V.	Motor** Motor	Phase Fase	Speed Velocidad	Volts Voltios	Shaft (in.) Eje (pulgadas)	Drive Belt Correa	Motor Sheave** Polea Del Motor
75/85 DD	3/4	*110455	1	1	115/208-230	5/8	110217 (4L-830)	†110279-002 (0 - 0.7" Static)
		*110480	1	2	230	1/2		†110279-004 (0.3 - 0.8" Static)
		110461	3	1	208-230/460	5/8		~110308 (0 - 0.7" Static)
	1	*110457	1	1	115/208-230	5/8	110217 (4L-830)	~110279-003 (0 - 0.8" Static)
		*110458	1	2	230	5/8		~110306-1 (0.6 - 1.0" Static)
		110462-9	3	1	230/460	7/8		110302 (0 - 0.8" Static)
95 DD	1-1/2	110459	1	1	115/208-230	7/8	110217 (4L-830)	~110279-003 (0 - 0.7" Static)
		*110459-1	1	1	115/208-230	5/8		~110306-1 (0.4 - 1.0" Static)
		110463-9	3	1	230/460	7/8		110302 (0 - 0.7" Static)
		110463-92	3	1	200	7/8		110299 (0.4 - 1.0" Static)
	2	110460	1	1	115/208-230	7/8	110217 (4L-830)	~110306-1 (0 - 1.0" Static) 110299 (0 - 1.0" Static)
		*110460-1	1	1	115/208-230	5/8		
		110464-9	3	1	230/460	7/8		
		110464-92	3	1	200	7/8		
	3	110465-9	3	1	230/460	1-1/8	110218 (4L-850)	110304 (0 - 0.6" Static)
		110465-92	3	1	200	1-1/8		110300 (0.2 - 1.0" Static)

* Resilient mounted motors / Motores con bases resistentes.

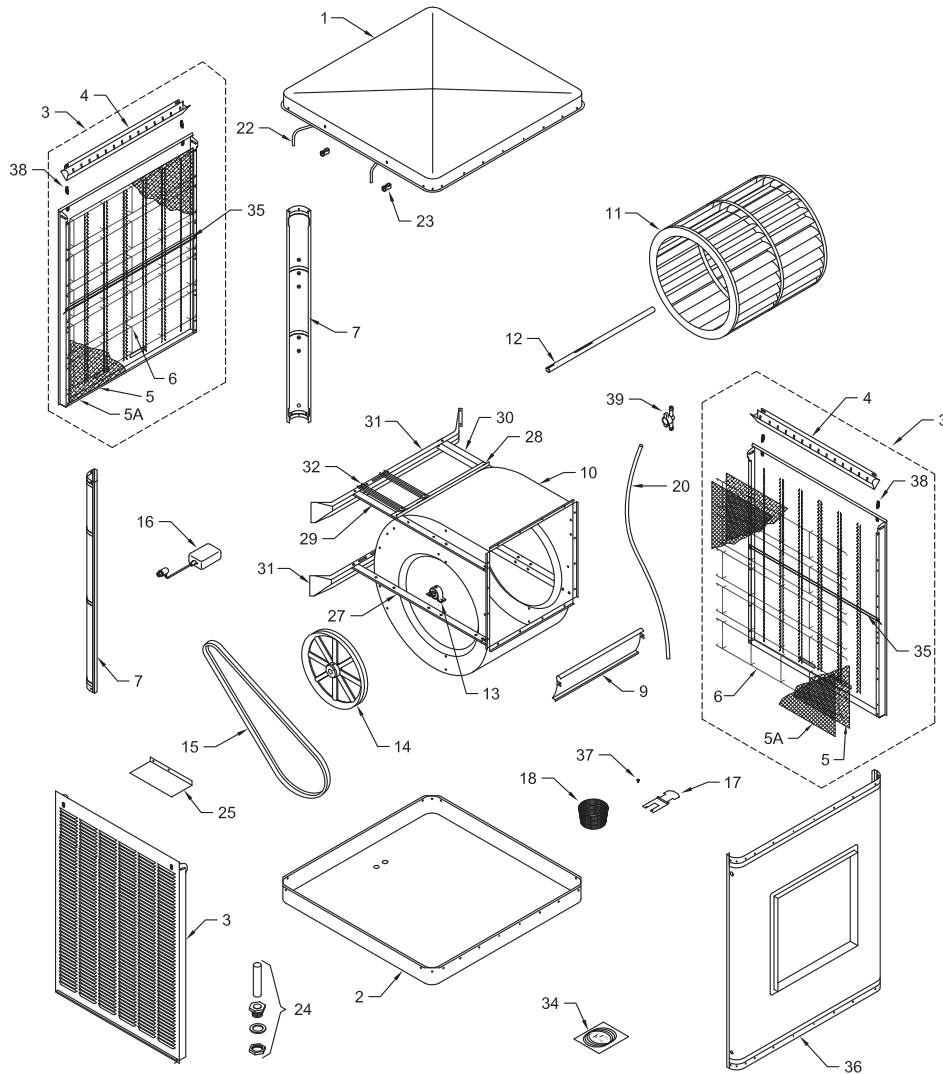
** Sold separately. / Se vende por separado.

† For motors with 1/2 in. shaft / Para motores con el eje de 1/2 pulgadas de diámetro.

~ For motors with 5/8 in. shaft / Para motores con el eje de 5/8 pulgadas de diámetro.

Replacement Parts / Piezas De Repuesto

75/85 SD, 95 SD



Motor Specifications / Especificaciones Del Motor

Model Modelo	HP C.V.	Motor** Motor	Phase Fase	Speed Velocidad	Volts Voltios	Shaft (in.) Eje (pulgadas)	Drive Belt Correa	Motor Sheave** Polea Del Motor
75/85 SD	3/4	*110455	1	1	115/208-230	5/8	110217 (4L-830)	†110279-002 (0 - 0.7" Static)
		*110480	1	2	230	1/2		†110279-004 (0.3 - 0.8" Static)
		110461	3	1	208-230/460	5/8		~110308 (0 - 0.7" Static)
	1	*110457	1	1	115/208-230	5/8	110217 (4L-830)	~110279-003 (0 - 0.8" Static)
		*110458	1	2	230	5/8		~110306-1 (0.3 - 1.0" Static)
		110462-9	3	1	230/460	7/8		110302 (0 - 0.8" Static)
110462-92	3	1	200	7/8	110299 (0.7 - 1.0" Static)			
95 SD	1-1/2	110459	1	1	115/208-230	7/8	110217 (4L-830)	~110279-003 (0 - 0.7" Static)
		*110459-1	1	1	115/208-230	5/8		~110306-1 (0.3 - 1.0" Static)
		110463-9	3	1	230/460	7/8		110302 (0 - 0.7" Static)
		110463-92	3	1	200	7/8		110299 (0.3 - 1.0" Static)
	2	110460	1	1	115/208-230	7/8	110217 (4L-830)	~110306-1 (0 - 1.0" Static) 110299 (0 - 1.0" Static)
		*110460-1	1	1	115/208-230	5/8		
		110464-9	3	1	230/460	7/8		
		110464-92	3	1	200	7/8		

* Resilient mounted motors / Motores con bases resistentes.

** Sold separately. / Se vende por separado.

† For motors with 1/2 in. shaft / Para motores con el eje de 1/2 pulgadas de diámetro.

~ For motors with 5/8 in. shaft / Para motores con el eje de 5/8 pulgadas de diámetro.

Motor Specifications / Especificaciones Del Motor

Model Modelo	HP C.V.	Motor** Motor	Phase Fase	Speed Velocidad	Volts Voltios	Shaft (in.) Eje (pulgadas)	Drive Belt Correa	Motor Sheave** Polea Del Motor
10/12 DD	1	*110457	1	1	115/208-230	5/8	110231 (4L970)	~110308 110309
		*110458	1	2	230	5/8		
		110462-9	3	1	230/460	7/8		
		110462-92	3	1	200	7/8		
	1 1/2	*110459-1	1	1	115/208-230	5/8	110231 (4L970)	110302 (Static < 0.6) 110299 (Static > 0.4) ~110279-003 (Static < 0.6) ~110306-1 (Static > 0.4)
		110463-9	3	1	230/460	7/8		
110463-92		3	1	200	7/8			
2	*110460-1	1	1	115/208-230	5/8	110231 (4L970)	~110306-1 110299	
	110464-9	3	1	230/460	7/8			
	110464-92	3	1	200	7/8			
10/12 SD	1	*110457	1	1	115/208-230	5/8	110232 (4L-980)	~110308 110309
		*110458	1	2	230	5/8		
		110462-9	3	1	230/460	7/8		
		110462-92	3	1	200	7/8		
	1 1/2	*110459-1	1	1	115/208-230	5/8	110232 (4L-980)	110302 (Static < 0.5) 110299 (Static > 0.3) ~110279-003 (Static < 0.5) ~110306-1 (Static > 0.3)
		110463-9	3	1	230/460	7/8		
		110463-92	3	1	200	7/8		
	2	*110460-1	1	1	115/208-230	5/8	110232 (4L-980)	~110306-1 (Static < 0.8) ~110310 (Static > 0.6) 110299 (Static < 0.8) 110307-1 (Static > 0.6)
		110464-9	3	1	230/460	7/8		
110464-92		3	1	200	7/8			
14/21 DD	1 1/2	*110459-1	1	1	115/208-230	5/8	110219 (B-108)	110290 ~110286
		110463-9	3	1	230/460	7/8		
		110463-92	3	1	200	7/8		
	2	*110460-1	1	1	115/208-230	5/8	110219 (B-108)	~110286 (Static < 0.6) ~110285 (Static > 0.4) 110290 (Static < 0.6) 110289 (Static > 0.4)
		110464-9	3	1	230/460	7/8		
110464-92	3	1	200	7/8				
3	110465-9	3	1	230/460	1-1/8	110219 (B-108)	110291	
	110465-92	3	1	200	1-1/8			
5	110466-9	3	1	230/460	1-1/8	110219 (B-108)	110291 (Static < 0.6) 110304-1 (Static > 0.4)	
	110466-92	3	1	200	1-1/8			
14/21 SD	1 1/2	*110459-1	1	1	115/208-230	5/8	110219 (B-108)	110290 ~110286
		110463-9	3	1	230/460	7/8		
		110463-92	3	1	200	7/8		
		*110460-1	1	1	115/208-230	5/8		
	110464-9	3	1	230/460	7/8			
	110464-92	3	1	200	7/8			
	110465-9	3	1	230/460	1-1/8	110219 (B-108)	110291	
	110465-92	3	1	200	1-1/8			
110466-9	3	1	230/460	1-1/8				
110466-92	3	1	200	1-1/8				

* Resilient mounted motors / Motores con bases resistentes.

** Sold separately. / Se vende por separado.

General Specifications / Especificaciones Generales

Model No. Modelo	*Weight (lbs.) Peso (libras)		Cabinet Dimensions (in.) Dimensiones De La Caja (pulgadas)			Duct Opening (in.) Abertura De Ducto (pulgadas)	
	Dry Seco	Operating Lleno	Height Altura	Width Anchura	Depth Profundidad	Width Anchura	Height Altura
75/85 DD 95 DD	281	373	53 5/8	41 1/4	41 1/4	21 3/4	21 3/4
75/85 SD 95 SD	259	426	53 5/8	41 1/4	41 1/4	21 3/4	21 3/4
10/12 DD	447	622	52 1/8	50	50	26 7/8	26 7/8
10/12 SD	439	689	52 1/8	50	50	26 7/8	26 7/8
14/21 DD	621	896	59 3/4	62	62	31 3/4	31 3/4
14/21 SD	617	1000	59 3/4	62	62	31 3/4	31 3/4

*Does not include motor weight. / No incluye el peso del motor.

Lea y Conserve Estas Instrucciones

Reglas De Seguridad

1. Lea las instrucciones con cuidado.
2. Desconecte todos los servicios eléctricos que serán usados en esta unidad antes de instalar el enfriador.
3. Las conexiones eléctricas deben ser hechas por un electricista competente, para que todo el cableado eléctrico cumpla con los requisitos establecidos en su localidad.
4. Para una máxima y segura precaución, debe estar muy seguro que la caja del aparato está conectada con la tierra.
5. El enfriador debe ser conectado con el propio voltaje, corriente alterna y ciclos, lo que se encuentran en la placa de especificaciones de la bomba y del motor.
6. Asegure la bomba para no se vuelca en el agua.
7. Siempre **CORTE LA CORRIENTE** antes de realizar cualquier labor de mantenimiento.

Operación

Para el mejor funcionamiento, si los filtros son secos, prenda sólo la bomba durante unos cuantos minutos antes de prender el motor del ventilador.

Su enfriador puede ser utilizado sin agua para proporcionar ventilación solamente. Cuando esté fresco (por ejemplo, de noche) o cuando la humedad es alta, la bomba de agua puede ser apagada.

IMPORTANTE: El proceso de enfriamiento por evaporación requiere que agota el aire viejo del edificio. Abre las ventanas o puertas o utilice los extractores de aire situados lejos del enfriador y en la dirección que desea enfriar. El aire fluirá en la dirección de las aberturas de escape. Debe tener a lo menos 2 pies cuadrados de abertura por cada 1000 CFM.

Instalación

⚠PRECAUCIÓN: La superficie en que ha de colocarse el enfriador deberá aguantar el peso completo de la unidad cuando ésta está en funcionamiento. (Para saber este peso, vea la tabla de especificaciones.)

⚠PRECAUCIÓN: No conecte el enfriador hasta que la instalación esté completa y se haya comprobado la estabilidad del mismo.

⚠PRECAUCIÓN: Asegúrese que todos los tornillos estén apretados seguramente antes de prender el enfriador.

- **Paneles Del Lado.** Los paneles del lado tiene un cierre de fijación en cada esquina. Para quitar el panel necesitará aflojar los tornillos del cierre de ambos lados del panel. Afloje los tornillos bastante para girar la manija de cierre, pero no los quite totalmente. Gire la manija de cierre hacia el centro del panel (véase la figura 1). Incline la tapa del panel hacia fuera de la bandeja superior y levántelo del enfriador.

Para reinstalar el panel, primero inserte la parte inferior del panel en la bandeja inferior. Incline el panel adelante de modo que se recline contra la bandeja superior. Necesitará mantener las manijas de cierre giradas al lado para que el cierre no golpee la bandeja superior. Una vez que el panel está en el lugar, trabe el panel girando la manija de cierre de modo que la manija esté orientado hacia abajo. Apriete los tornillos para sujetar el panel en el lugar.

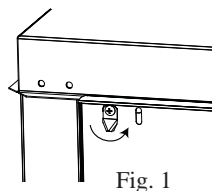


Fig. 1

- **El sistema del ducto.** Vea la tabla de especificaciones generales para el tamaño del abertura del ducto. Para los modelos 10/12DD y 14/21DD con salida de abajo, el ducto debe entrar por el interior del abertura. El tamaño de estos ductos debe ser

menos de la abertura del enfriador. El ducto puede entrar por el interior o el exterior del reborde de salida de los modelos 75/85DD y 95DD. Las unidades con salida del lado tienen un reborde de 1 pulgada. El tamaño de estos ductos debe ser más grande de la abertura del enfriador para caber sobre el reborde.

Nota: Los soportes para montar el enfriador no están provistos. El instalador es responsable para soportar el enfriador. Se recomienda que la penetración del techo sólo ser tan grande como conductos de la unidad. Drenaje del agua debe ser afuera del borde del techo si es posible.

Instalación Del Motor

- **Montar el motor.** Deslice la cabeza de los pernos provistos con cuellos cuadrados por la ranura en la montura ajustable del motor. Puede deslizar las monturas ajustables hacia un lado u otro lado para alinear los pernos con los agujeros en el base del motor y para alinear la polea del motor con la polea de la rueda. Instale el motor usando los pernos y las tuercas provistos (véase fig. 2). Asegúrese que los pernos estén apretados seguramente.

- **Instalar la polea del motor.** Instale la polea ajustable del motor para que quede alineada con la polea del ventilador (véase fig. 3) y apriete el tornillo de presión. Vea la página 14 para instrucciones de ajustar la polea.

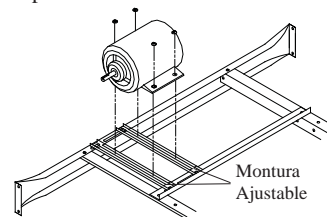


Fig. 2

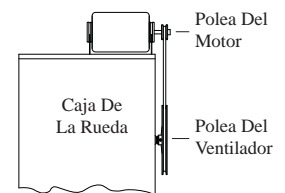


Fig. 3

Instalación Eléctrica

NOTA: Los códigos locales de construcción deben ser observadas.

⚠ADVERTENCIA: Desconecte todos los servicios eléctricos que serán usados en esta unidad antes de instalar el enfriador.

- **Conexión eléctrica.** El enfriador debe ser conectado con el propio voltaje, corriente de línea y frecuencia, que se encuentran en la placa de información de la bomba y del motor. Vea las esquemas de cableado en la página 15 para las conexiones típicas.

NOTA: El conectar el motor a voltaje impropio anulará la garantía del motor.

- **Calibre de cable.** La carga del motor y el longitud del cable requerido por los códigos eléctricos nacionales y locales determinará el calibre de cable que debe usar.

- **Interruptores y contactores.** Los motores requieren interruptores o contactores de propia capacidad de corriente. Un electricista cualificado debe determinar su tamaño e instalarlos.

⚠ADVERTENCIA: Compruebe que la caja del enfriador tenga la debida conexión a tierra para proveer máxima seguridad.

Conectar El Agua

- **La Bomba.** Debe asegurar la bomba al soporte de la bomba para evitar que incline encima. Para los modelos 10/12 y 14/21, quite la tuerca de la tapa de la bomba y asegure la bomba al soporte usando este tuerca. Para asegurar la bomba a los modelos 75/85 y 95, deslice la bomba por la horquilla del soporte y asegúrela con el retenedor de plástico.

- **El suministro de agua.** Conecte un tubo de suministro de agua de 3/8 pulgadas en diámetro a la válvula de flotador. **NOTA:** Nunca utilice el agua suministrado de un suavizador de agua.

• **La instalación del montaje de desagüe.**

Quite la tuerca y pase la boquilla por el agujero de la bandeja, colocando la arandela de hule entre la bandeja y la cabeza de la boquilla (véase fig. 4). Coloque la tuerca en la boquilla y atornillela hasta que quede apretada contra la parte inferior de la bandeja. Inserte el tubo de desagüe en la boquilla para retener el agua. El tubo de desagüe se puede quitar para desaguar el agua de la bandeja cuando sea necesario. La boquilla tiene rosca de manguera de jardín. Se puede conectar tubos de drenaje a la boquilla para desaguar el agua hacia otra parte.

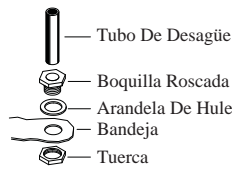


Fig. 4

• **La válvula de flotador.**

Instale la válvula de flotador en el soporte del flotador dentro del enfriador y conecte el tubo de agua (véase fig. 5). Nota: La válvula de flotador está instalada en los modelos 75/85 y 95. Necesitará comprar la válvula de flotador por separado para los otros modelos.

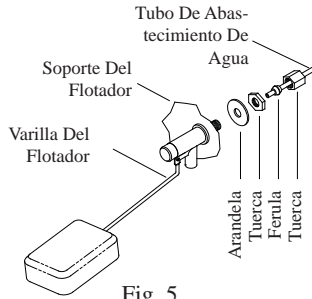


Fig. 5

• **Llenar la bandeja con agua.**

Permita que se llene la bandeja con agua hasta una altura de una pulgada por debajo del borde superior de la bandeja. Ajuste el flotador para que mantenga este nivel. Al ajustar el flotador, afloje el tornillo de la válvula, ajuste la varilla y apriete el tornillo. Compruebe que no escape el agua.

• **Los canales de agua.** Ponga a funcionar la bomba hasta saturar de agua los filtros. Luego revise cada canal para ver si la distribución del agua es pareja. Si no es así, afloje los tornillos de ajuste y nivele cada canal. Vuelva a apretar los tornillos. Compruebe que todos los filtros hayan quedado saturados de agua y que no contengan áreas secas o roturas.

• **La válvula de desahogo.** Recomendamos usar la válvula de desahogo para prevenir la formación de escama, por la segregación de pequeñas cantidades de agua durante la operación. No agregue ningún tipo de productos químicos del tratamiento de aguas al agua.

Ajustar La Polea y La Correa

• **Ajustar la polea.** Con un amperímetro, mide el amperio del motor. Ajuste la polea del motor hasta que el amperio sea menos por poco de lo que se especifica la placa de identificación del motor. Al ajustar la polea, afloje el tornillo de ajuste con punta plana y gire la polea. Apriete el tornillo de modo que la punta del tornillo queda sobre el área plana, si no, dañaría las roscas. El incrementar el diámetro de la polea, incrementa también el amperio; el disminuir el diámetro de la polea, disminuye también el amperio (véase fig. 6). Vuelva a inspeccionar la alineación de la correa.

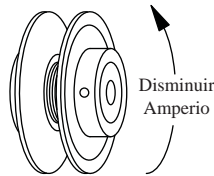


Fig. 6

⚠PRECAUCIÓN: Cuando sea necesario ajustar la polea, mida el amperio del motor para verificar que no exceda el máximo encontrado en la placa del motor. Un inadecuado ajuste quemará el motor.

• **Tensar la correa.** Afloje los pernos del motor y deslice el motor detrás hasta que la correa está tensada correctamente. Una fuerza de 3 libras debe desviar la correa 3/4 pulgadas (véase fig. 7). Reafloje los pernos del motor. **Nunca ajuste la polea para tensar la correa.**

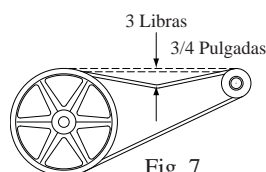


Fig. 7

Mantenimiento

⚠ADVERTENCIA: Antes de hacer cualquier mantenimiento, compruebe que la corriente esté desconectada. Esto es por su seguridad.

Puesta En Marcha En La Primavera

• **Cambiar los filtros.** Debe cambiar los filtros de paja una o dos veces durante cada temporada, según la duración de ésta. Al principio y a mediados de la temporada, un filtro limpio es más absorbente y eficiente y producirá un mayor volumen de aire fresco.

• **Limpiar la bomba.** Es necesario limpiar la bomba una vez al principio de cada año. Por su propia seguridad, apague la unidad y desconecte el motor y la bomba. Quite la bomba de su montura. Quite la base de la bomba (véase fig. 8). Limpie la bomba. Dé la vuelta a la hélice para verificar que se mueve libremente. Quite el pico de la bomba y vea si está obstruido. Vuelva a colocar la base de la bomba. Coloque la bomba en su montura. Esto impedirá que se caiga la bomba al agua, lo que dañaría el motor. No se olvide de volver a conectar el tubo de agua a la bomba. La bomba contiene un depósito protector en caso de sobrecalentamiento (se apagará automáticamente).

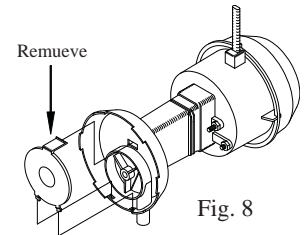


Fig. 8

• **La válvula de desahogo.** Inspeccione la válvula de desahogo para verificar que no esté obstruida.

• **La tensión de la correa.** Inspeccione la tensión de la correa y reajústela si sea necesario.

• **Lubrique los cojinetes.** Los cojinetes de la rueda y el motor del ventilador deben ser lubricados usando unas gotas de un aceite no detergente de densidad 20/30 una vez al año. No obstante, los motores sin tuberías para aceite no necesita ser lubricados. Estos motores son lubricados en la fábrica de por vida y no requieren nunca ninguna lubricación.

⚠PRECAUCIÓN: No lubrique demás. El agregar demasiado aceite puede ocasionar que se quemé el motor, a causa del aceite entrando al interior del motor.

Preparar La Unidad Para El Invierno

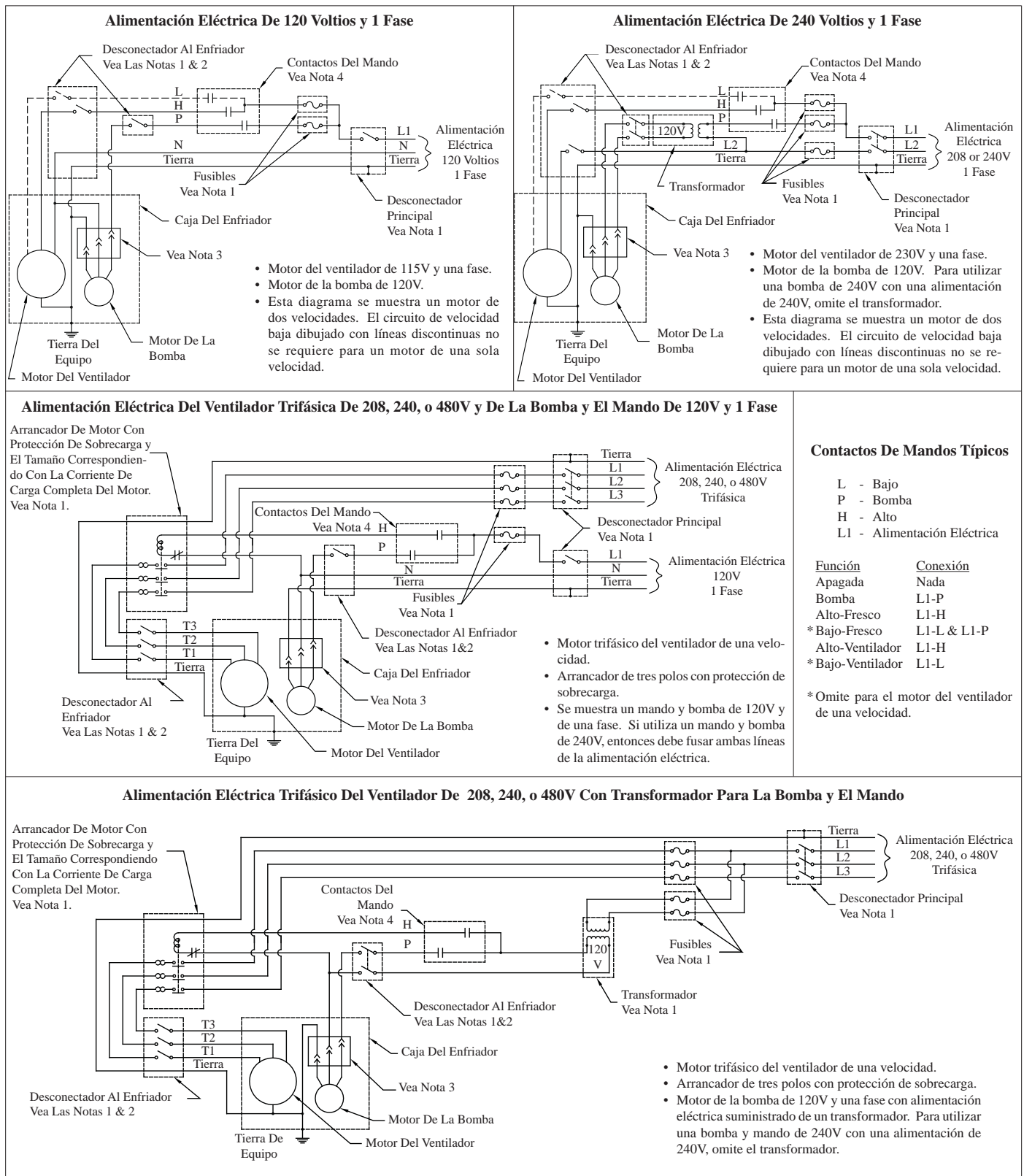
• **Drene el agua.** Drene siempre toda el agua del enfriador y del tubo de abastecimiento de agua cuando no use el enfriador durante períodos prolongados, especialmente al fin de la temporada. El tubo debe quedarse desconectado del abastecimiento de agua para que no lo congele.

• **Desconecte de la electricidad cuando no se utiliza el enfriador por períodos extendidos.**

• **Cubra la unidad.** Para proteger y alargar la vida útil del acabado, se sugiere cubrir el enfriador durante períodos largos cuando no sea utilizado.

Si usted sigue estas sugerencias en cuanto a instalación, operación y mantenimiento, podrá disfrutar de muchos años de servicio eficiente y satisfactorio de este enfriador. Si desea más información, su concesionario tendrá mucho gusto en ayudarlo con respecto a cualquier duda o pregunta.

Esquemas Típicos Del Cableado Eléctrico



⚠ ADVERTENCIA: La conexión eléctrica debe efectuarse por un electricista calificado. Todo el cableado eléctrico debe efectuarse con las normas nacionales y locales.

- NOTA 1.** Todos los interruptores, marchas, transformadores, fusibles, cajas de empalmes, enchufes, cajas para enchufes, placas protectoras, y conductores deben ser abastecidos por el instalador y cumplir con los códigos nacionales y locales.
- NOTA 2.** El código eléctrico nacional requiere un desconector localizado en el equipo si el desconector principal en el equipo no está visible. Si usa mas de un desconector, debe colocarse en el lado adyacente uno a otro.
- NOTA 3.** Se requiere un receptáculo de NEMA 5-15 para una bomba de 120V y un receptáculo de NEMA 6-15 para una bomba de 230V.
- NOTA 4.** Los contactos del mando puede ser un parte de un interruptor, un termostato, u otro dispositivo.

La Localización De Averías

<u>Problema</u>	<u>Causa Posible</u>	<u>Remedio</u>
No arranca o no sale aire	<ol style="list-style-type: none"> No llega corriente <ul style="list-style-type: none"> Fusible fundido Cortacircuito desactivado Correa muy floja o apretada Motor recalentado <ul style="list-style-type: none"> Correa muy apretada Cojinetes de la rueda están secos Cojinetes del motor están secos Diámetro de la polea del motor demasiado grande Motor parado 	<ol style="list-style-type: none"> Revise la corriente <ul style="list-style-type: none"> Cambie el fusible Restablecer el cortacircuito Ajuste la tensión de la correa Determine la causa <ul style="list-style-type: none"> Ajuste la tensión de la correa Lubrique los cojinetes Lubrique los cojinetes Cambie el motor
Sale poco aire cuando la unidad está funcionando	<ol style="list-style-type: none"> Insuficiente abertura para que salga el aire Poca tensión en la correa Filtros obstruidos Agua insuficiente en los filtros 	<ol style="list-style-type: none"> Abra ventanas o puertas para aumentar flujo de aire Ajuste la tensión o cambie la correa Cambie los filtros Limpie el sistema de distribución y los agujeros del canal
Enfriamiento inadecuado	<ol style="list-style-type: none"> Insuficiente abertura para que salga aire Los filtros no están mojados <ul style="list-style-type: none"> Filtros obstruidos Filtros agujereados Agujeros de los canales obstruidos Bomba no funciona 	<ol style="list-style-type: none"> Abra más las ventanas o puertas Revise la distribución de agua <ul style="list-style-type: none"> Cambie los filtros Acomode la paja en el filtro Límpielos Cámbiela o límpiela (Desconecte la unidad)

<u>Problema</u>	<u>Causa Posible</u>	<u>Remedio</u>
Motor se apaga y se enciende	<ol style="list-style-type: none"> Voltaje deficiente Demasiada tensión en la correa Eje del ventilador atorado Cojinetes secos Diámetro demasiado grande de la polea del motor dando por resultado sobrecarga del motor Motor defectuoso 	<ol style="list-style-type: none"> Compruebe el voltaje Ajuste la tensión de la correa Lubrique o cambie los cojinetes (Desconecte la unidad) Lubrique los cojinetes Ajústela para no exceder el grado a carga plena del amperio del motor Cámbielo
Hace Ruido	<ol style="list-style-type: none"> Cojinetes secos Rueda roza contra caja de la rueda Partes sueltas 	<ol style="list-style-type: none"> Lubrique los cojinetes Inspeccione y alinee (Desconecte la unidad) Apriételas
Demasiada humedad en la casa	<ol style="list-style-type: none"> Insuficiente salida de aire 	<ol style="list-style-type: none"> Abra puertas o ventanas
Olor a encharcado, olor desagradable	<ol style="list-style-type: none"> Agua estancado en la unidad Filtros secos <ul style="list-style-type: none"> Agujeros del canal tapados Bomba no trabaja adecuada Insuficiente flujo de agua 	<ol style="list-style-type: none"> Desagüe y limpie los filtros Revise la distribución de agua <ul style="list-style-type: none"> Límpielos Reemplace o limpie la bomba (Desconecte la unidad) Limpie el sistema de distribución y los agujeros de los canales

Registre su producto en línea a: www.essickair.com/cooler-product-registration

Garantía Limitada

La presente garantía se extiende al comprador original de un enfriador evaporativo instalado y utilizado bajo condiciones normales. No cubre daños ocurridos por accidente, descuido o abuso por parte del propietario. No autorizamos que ninguna otra persona o representante asuma por nosotros cualquier otra o diferente responsabilidad en relación con este producto.

Términos y Condiciones De La Garantía

Durante Cinco Años a partir de la fecha de compra, nosotros reemplazaremos la base original del enfriador en caso de gotera de agua debido a oxidación.

Durante Un Año a partir de la fecha de compra reemplazaremos estos componentes originales que fallen debido a cualquier defecto de materiales o mano de obra en la fábrica.

Exclusiones De La Garantía

No somos responsables por reemplazar los filtros del enfriador. Estos son componentes desechables y deben cambiarse periódicamente. No somos responsables por daños que resulten a consecuencia de alguna falla de funcionamiento.

No somos responsables por cualquier daño producido por el uso de suavizadores de agua, productos químicos, materiales desincrustantes, envolturas de plástico, o si se usa en esta unidad un motor de mayor potencia de la que se indica en la placa de número de serie.

No somos responsables por el costo del servicio por diagnosticar la causa del problema ni por la mano de obra necesaria para reparar y/o reemplazar partes.

Como Obtener Servicio Bajo Esta Garantía

Póngase en contacto con el Concesionario que le vendió el enfriador. Si por alguna razón usted no queda satisfecho con la respuesta por parte del Concesionario, comuníquese con el departamento de servicio al cliente: 5800 Murray Street, Little Rock, Arkansas 72209. 1-800-643-8341. E-mail: info@championcooler.com Web: www.championcooler.com

Esta garantía limitada se aplica al comprador original solamente.