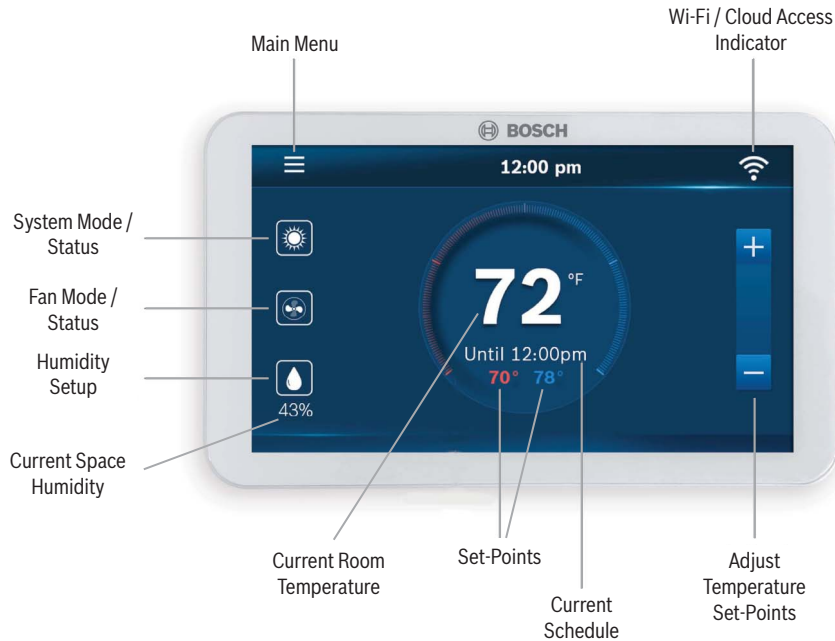




Overview



Specifications & Compatibility

Product Specifications

- ▶ 5 Inch Touch Screen 854 x 480 Pixels
- ▶ 7 Relay Outputs (Terminals) G, Y1, Y2, W1, W2, O/B, H/dH
- ▶ 1 Data Input (Pulse signals from Bosch WSHP)
- ▶ Displays Bosch Water Source Heat Pump Fault Messages
- ▶ Wi-Fi (802.11a/b/g/n) 2.4GHz (not compatible with 5GHz)
- ▶ FCC and IC Certification
- ▶ 5 Year Limited Warranty (see website for details)

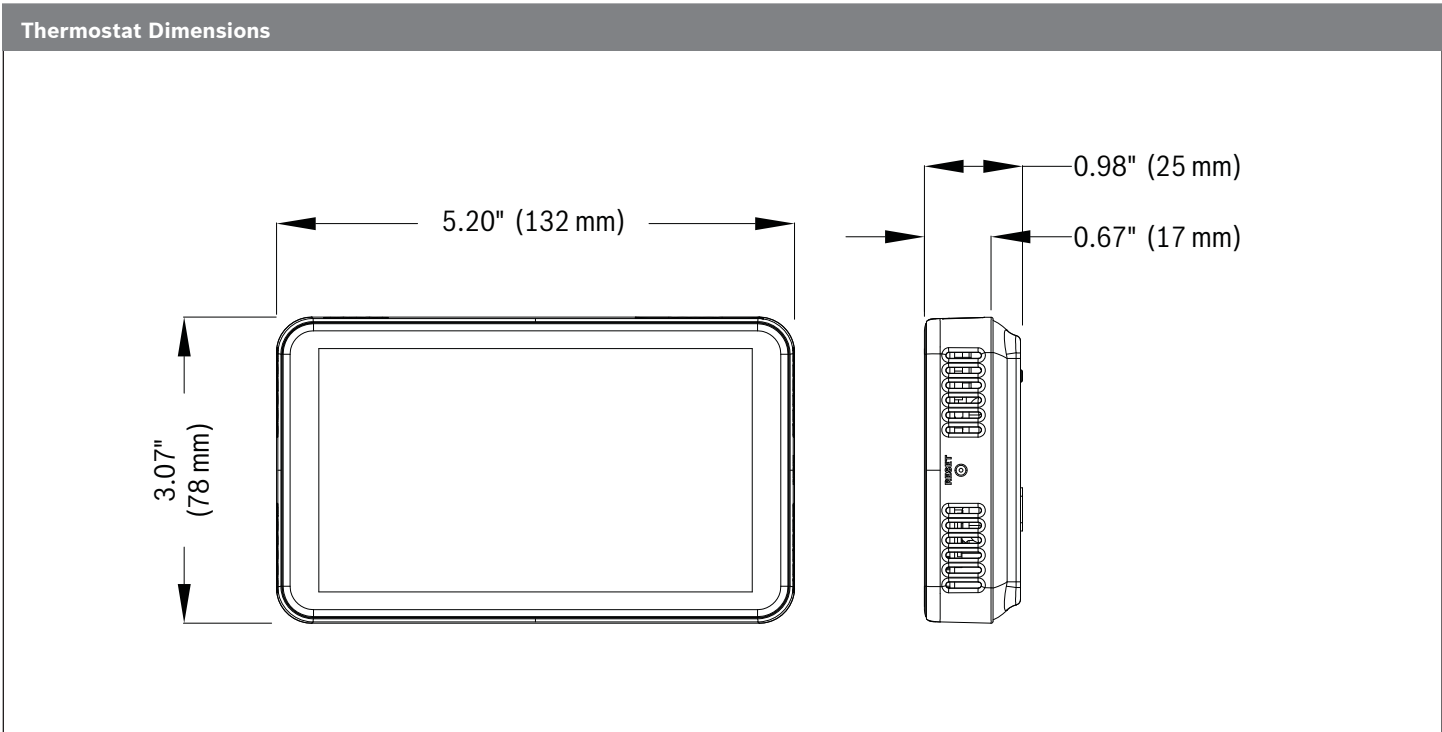
Product Compatibility

- ▶ Conventional (Gas, Oil, Electric): Up to 2 Heat / 2 Cool
- ▶ Heat Pump (O/B to energize reversing valve in cool/heat): Up to 4 Heat / 2 Cool
- ▶ Supports up to 1 Accessory Unit: Humidifier or Dehumidifier (not provided by Bosch)
- ▶ Unit Modes: Heat, Cool, Auto, Off, Emergency Heat
- ▶ Fan Modes: Auto, On, Circulate
- ▶ Supports 2 Transformer Systems (Rh and Rc)
- ▶ C-Wire Required for Installation
- ▶ Supports Active and Passive Dehumidification without the need for external relays, such as Bosch Water Source Heat Pump products equipped with a Hot Gas Reheat Coil and/or ECM motor

Models and Part Numbers				
Description	Part Number	Heat	Cool	Humidify / Dehumidify*
Bosch Connected Control (BCC100)	8-733-948-009	4	2	Yes

Physical Data	
Description	Value
Electrical Rating:	24 VAC (18-30 VAC), 1 amp maximum per output terminal, 7 amp maximum total load
DC Power:	5 VDC (USB)
AC Power:	24 – 32 VAC
Temperature Control Range:	45°F to 99°F (7°C to 37°C) Accuracy: ±1°F (±0.5°C)
Anti-short Cycle	1 min - 5 min (3 min default)
Backlight Operations:	Brightness: Low, Medium, High Screen Timeout: 20 sec, 60 sec, 180 sec
Humidity Control Display Range:	0% - 100% RH +/- 5%
Humidity Control Setpoint Range:	30% - 90% RH

* Humidifier and dehumidifier are not provided by Bosch.



Wall Plate Dimensions & Terminal Designations

