



Large Profile Unit Coolers

Technical Guide

Models BHA | BHE/BHL | BHG/BHF



BOHN

Table of Contents

Nomenclature..... 2

Features & Benefits 3

Performance Data & Specifications

 Air Defrost/60 Hz..... 4

 Electric Defrost/60 Hz 5-6

 Hot Gas Defrost/60 Hz..... 7-8

 Electric Defrost High CFM/60 Hz..... 9-10

 Hot Gas Defrost High CFM/60 Hz 11-12

 Air Defrost/50 Hz..... 13

 Electric Defrost/50 Hz 14-15

 Hot Gas Defrost/50 Hz..... 16-17

 Electric Defrost High CFM/50 Hz..... 18-19

 Hot Gas Defrost High CFM/50 Hz 20-21

Physical Data 22-24

Dimensional Data 25-26

Standard Nozzles 27

Replacement Parts by InterLink™ 28-29



Choose the most energy-efficient motor available for evaporators.



The EC motor is an energy sufficient option on Bohn Large Profile evaporators. Available on all new equipment or as an easy-to-install, drop-in replacement aftermarket part from InterLink™ Commercial Refrigeration Parts. Because they are a drop-in replacement for existing shaded pole and PSC motors, installation is quick and easy. It's a high impact, quick payback solution for reducing costs and achieving green initiatives without replacing the entire system.

EC motors by InterLink are up to 75% energy efficient - that's a 51-59% increase over shaded pole motors and a 30-35% increase over permanent-split capacitor (PSC) motors. With all of this added efficiency, you can count on more energy savings and lower operational costs while taking a step in the right direction toward conserving our planet's resources.

Nomenclature

BH	A	850	C	G	P	A
Model Series	Fins Per Inch/Defrost	Capacity x 100	Voltage	Control Option	Optional Motor	Vintage
Bohn Large	A = 6 or 8 FPI Air Defrost	(Standard/Motor Fan Blade)	B = 208-230/1/60	G = IntelliGen™	T = Totally Enclosed Motors	
Profile Unit Cooler	E = 6 FPI Electric Defrost		C = 208-230/3/60		V = High CFM Option	
	L = 4 FPI Electric Defrost		D = 460/3/60		P = 3 Phase Motor	
	G = 6 FPI Hot Gas Defrost		E = 575/3/60			
	F = 4 FPI Hot Gas Defrost		M = 460/1/60			
			X = 380-400/3/50			
			Y = 200=220/1/50			

Features & Benefits

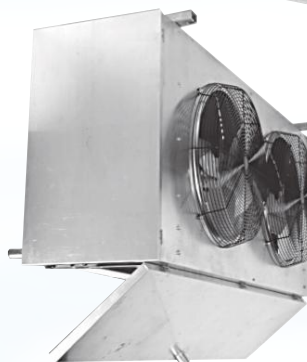
Bohn's trusted and proven line of heavy duty large unit coolers for warehouse cooler/freezer applications. With a wider capacity range and the patented Thermo-Flex coil design, these large unit coolers provide efficient, reliable operation. Bohn has designed many features and options into this product line to give you a superior heavy duty evaporator.

Features

- Mill finish aluminum provides an attractive design and structurally sound cabinet
- Thermo-Flex (with five-year limited warranty) is innovative, eliminates leaks, and reduces risk of refrigerant loss
- 850 rpm motors are quiet and reliable
- Liquid line solenoid wiring harness for faster installation
- Suction Schrader fitting for easier suction temperature measurement
- Hinged drain pan and access panels for easy servicing
- Captive fasteners on access panels for easy servicing—no fumbling with loose bolts and nuts
- Adjustable defrost control can be customized per application
- Long air throw is ideal for large warehouse and industrial applications
- Standardized terminal board for easier field wiring
- Complete hot gas defrost model offering meets more applications

Options

- High CFM motor and fan combinations (208-230/3/60 and 460/3/60)
- Totally enclosed motors (208-230/3/60 and 460/3/60)
- Low temperature motors for blast cooling and freezing (for room temps -31°F to -50°F) • Units available with Bronze-Glow coil coating (air, electric and hot gas)
- Units available with copper fins (6 FPI models only)
- Air defrost units available with polyester coated fins, or various coil coating options • Long air throw collars for large warehouse and industrial applications
- More factory mounted features for easier field installation (consult factory)
- Insulated drain pan
- Factory installed mounted components are available in these configurations:
 - Pre-assembled units come with mounted TXV, liquid line solenoid valve and room thermostat
 - Pre-charged units come with mounted TXV, liquid line solenoid valve, room thermostat, and quick connect fittings
 - Mounted TXV
 - Mounted TXV and solenoid valve
 - Mounted room thermostat



Controls Options

- intelliGen™ Refrigeration Controller (iRC) units come with factory mounted, tested and calibrated with an electronic expansion valve, pressure transducer, temperature sensors, control board and User Interface. Standard features include Door Sensor, Product Load Input and Alarm Output.
- Optional Field installable intelliGen Webserver Card (iWC) enables local and remote monitoring on any Phone, Tablet or PC.
- Optional Field installable intelliGen Integration Card (iIC) enables connectivity to BACnet and Modbus.
- Quick Response Controller units come factory mounted with an electronic expansion valve, pressure transducer, temperature sensors and control board.

Bohn offers a five-year limited guarantee against leaks at tube sheets and center supports for all large profile unit coolers

PERFORMANCE DATA: AIR DEFROST

Model BHA Air Defrost | 60 Hz

Model	Capacity				No.	Fan Data				Air Throw				
	R-404A		R-407A/C/F, R-448A/R-449A			CFM	m ³ H	Diameter		Standard		With Collar		
	10°F TD 25°F SST	6°C TD -4°C SST	10°F TD 25°F SST	6°C TD -4°C SST				in.	mm	ft.	m	ft.	m	
	BTUH	Watts	BTUH	Watts										
6 Fins Per Inch	BHA520	52,000	15,200	58,000	17,000	2	9,000	15,300	24	610	70	21	85	26
	BHA630	63,000	18,500	72,000	21,100	2	9,000	15,300	24	610	70	21	85	26
	BHA750	75,000	22,000	86,000	25,200	3	12,600	21,400	24	610	70	21	85	26
	BHA850	85,000	24,900	97,000	28,400	3	12,600	21,400	24	610	70	21	85	26
	BHA930	93,000	27,300	104,000	30,500	4	16,800	28,600	24	610	70	21	85	26
	BHA1100	110,000	32,200	125,000	36,600	4	16,800	28,600	24	610	70	21	85	26
	BHA1170	117,000	34,300	133,000	39,000	3	20,700	35,200	30	762	100	30	115	35
	BHA1400	140,000	41,000	162,000	47,500	3	20,700	35,200	30	762	100	30	115	35
	BHA1610	161,000	47,200	187,000	54,800	3	24,300	41,300	30	762	100	30	115	35
	BHA1900	190,000	55,700	220,000	64,500	3	26,550	45,100	30	762	120	37	140	43
	BHA2200	220,000	64,500	255,000	74,700	4	30,400	51,700	30	762	120	37	140	43
	BHA2440	244,000	71,500	288,000	84,400	4	35,400	60,200	30	762	120	37	140	43
8 Fins	BHA2160	216,000	63,300	251,000	73,600	3	25,950	44,100	30	762	120	37	140	43
	BHA2500	250,000	73,300	295,000	86,500	4	29,600	50,300	30	762	120	37	140	43
	BHA2780	278,000	81,500	328,000	96,100	4	34,600	58,800	30	762	120	37	140	43

Model	HP	Standard Motor Data							
		Total Amps							
		208-230/1/60		208- 230 /3/60	460/1/60		460 /3/60	575 /3/60	
		Wired 1-Phase	Wired 3-Phase		Wired 1-Phase	Wired 3-Phase			
6 Fins Per Inch	BHA520	1/2*	6.4	-	8.0	3.4	-	4.0	1.8
	BHA630	1/2*	6.4	-	8.0	3.4	-	4.0	1.8
	BHA750	1/2*	9.6	5.5	12.0	-	3.0	6.0	2.7
	BHA850	1/2*	9.6	5.5	12.0	-	3.0	6.0	2.7
	BHA930	1/2*	12.8	8.7	16.0	-	4.7	8.0	3.6
	BHA1100	1/2*	12.8	8.7	16.0	-	4.7	8.0	3.6
	BHA1170	1	-	-	13.8	-	-	6.9	7.8
	BHA1400	1	-	-	13.8	-	-	6.9	7.8
	BHA1610	1-1/2	-	-	19.8	-	-	9.9	7.8
	BHA1900	1-1/2	-	-	21.0	-	-	10.5	8.4
	BHA2200	1-1/2	-	-	26.4	-	-	13.2	10.4
	BHA2440	1-1/2	-	-	28.0	-	-	14.0	11.2
8 Fins	BHA2160	1-1/2	-	-	21.0	-	-	10.5	8.4
	BHA2500	1-1/2	-	-	26.4	-	-	13.2	10.4
	BHA2780	1-1/2	-	-	28.0	-	-	14.0	11.2

* 208-230/3/60 and 460/3/60 motors are 3/4 HP

NOTES: TD = Temperature Difference = (Room temperature - saturated suction temperature)

PERFORMANCE DATA: AIR DEFROST

Model BHE/BHL Electric Defrost | 60 Hz

Model	Capacity				Fan Data			Air Throw						
	R-404A		R-407A/C/F, R-448A/R-449A		No.	CFM	m³H	Diameter		Standard		With Collar		
	10°F TD -20°F SST	6°C TD -29°C SST	10°F TD -20°F SST	6°C TD -29°C SST				in.	mm	ft.	m	ft.	m	
	BTUH	Watts	BTUH	Watts										
6 Fins Per Inch	BHE450	45,000	13,200	49,000	14,400	2	9,000	15,300	24	610	70	21	85	26
	BHE550	55,000	16,100	61,000	17,900	2	9,000	15,300	24	610	70	21	85	26
	BHE640	64,000	18,800	69,000	20,200	3	12,600	21,400	24	610	70	21	85	26
	BHE740	74,000	21,700	81,000	23,700	3	12,600	21,400	24	610	70	21	85	26
	BHE810	81,000	23,700	89,000	26,100	4	16,800	28,600	24	610	70	21	85	26
	BHE950	95,000	27,800	105,000	30,800	4	16,800	28,600	24	610	70	21	85	26
	BHE1020	102,000	29,900	112,000	32,800	3	20,700	35,200	30	762	100	30	115	35
	BHE1200	120,000	35,200	134,000	39,300	3	20,700	35,200	30	762	100	30	115	35
	BHE1390	139,000	40,700	156,000	45,700	3	24,300	41,300	30	762	100	30	115	35
	BHE1650	165,000	48,400	182,000	53,300	3	26,550	45,100	30	762	120	37	140	43
	BHE2120	212,000	62,100	233,000	68,300	4	35,400	60,200	30	762	120	37	140	43
4 Fins Per Inch	BHL400	40,000	11,700	43,000	12,600	2	9,400	16,000	24	610	70	21	85	26
	BHL480	48,000	14,100	53,000	15,500	2	9,400	16,000	24	610	70	21	85	26
	BHL560	56,000	16,400	60,000	17,600	3	13,200	22,400	24	610	70	21	85	26
	BHL650	65,000	19,000	70,000	20,500	3	13,200	22,400	24	610	70	21	85	26
	BHL710	71,000	20,800	77,000	22,600	4	17,600	29,900	24	610	70	21	85	26
	BHL840	84,000	24,600	91,000	26,700	4	17,600	29,900	24	610	70	21	85	26
	BHL890	89,000	26,100	98,000	28,700	3	21,600	36,700	30	762	100	30	115	35
	BHL1050	105,000	30,800	116,000	34,000	3	21,600	36,700	30	762	100	30	115	35
	BHL1220	122,000	35,800	134,000	39,300	3	25,200	42,800	30	762	100	30	115	35
	BHL1440	144,000	42,200	158,000	46,300	3	27,600	46,900	30	762	120	37	140	43
	BHL1860	186,000	54,500	205,000	60,100	4	36,800	62,600	30	762	120	37	140	43

* 208-230/3/60 and 460/3/60 motors are 3/4 HP

NOTES: TD = Temperature Difference = (Room temperature - saturated suction temperature)

Capacity Correction Factors for Electric and Hot Gas Defrost Units

Saturated Suction Temperature °F	+20	-10	-20	-30	-40
Saturated Suction Temperature °C	-7	-23	-29	-34	-40
Multiply Capacity By	1.15	1.04	1.00	0.90	0.80

PERFORMANCE DATA : ELECTRIC DEFROST

Model BHE/BHL Electric Defrost | 60 Hz

Model	HP	Standard Motor Data								Defrost Heaters			
		Total Amps								Watts	Total Amps		
		208-230/1/60		208- 230 /3/60	460/1/60		460 /3/60	575 /3/60	208- 230 /3/60		460 /3/60	575 /3/60	
		Wired 1-Phase	Wired 3-Phase		Wired 1-Phase	Wired 3-Phase							
6 Fins Per Inch	BHE450	1/2*	6.4	-	8.0	3.4	-	4.0	1.8	9,900	27.5	13.9	11.1
	BHE550	1/2*	6.4	-	8.0	3.4	-	4.0	1.8	9,900	27.5	13.9	11.1
	BHE640	1/2*	-	5.5	12.0	-	3.0	6.0	2.7	12,900	35.8	18.1	14.5
	BHE740	1/2*	-	5.5	12.0	-	3.0	6.0	2.7	12,900	35.8	18.1	14.5
	BHE810	1/2*	-	8.7	16.0	-	4.7	8.0	3.6	17,050	47.8	24.3	19.1
	BHE950	1/2*	-	8.7	16.0	-	4.7	8.0	3.6	17,050	47.8	24.3	19.1
	BHE1020	1	-	-	13.8	-	-	6.9	7.8	21,400	64.2	32.1	22.8
	BHE1200	1	-	-	13.8	-	-	6.9	7.8	21,400	64.2	32.1	22.8
	BHE1390	1-1/2	-	-	19.8	-	-	9.9	7.8	21,400	64.2	32.1	22.8
	BHE1650	1-1/2	-	-	21.0	-	-	10.5	8.4	33,600	87.2	47.5	34.9
BHE2120	1-1/2	-	-	28.0	-	-	14.0	11.2	49,850	128.4	70.0	56.0	
4 Fins Per Inch	BHL400	1/2*	6.4	-	8.0	3.4	-	4.0	1.8	9,900	27.5	13.9	11.1
	BHL480	1/2*	6.4	-	8.0	3.4	-	4.0	1.8	9,900	27.5	13.9	11.1
	BHL560	1/2*	-	5.5	12.0	-	3.0	6.0	2.7	12,900	35.8	18.1	14.5
	BHL650	1/2*	-	5.5	12.0	-	3.0	6.0	2.7	12,900	35.8	18.1	14.5
	BHL710	1/2*	-	8.7	16.0	-	4.7	8.0	3.6	17,050	47.8	24.3	19.1
	BHL840	1/2*	-	8.7	16.0	-	4.7	8.0	3.6	17,050	47.8	24.3	19.1
	BHL890	1	-	-	13.8	-	-	6.9	7.8	21,400	64.2	32.1	22.8
	BHL1050	1	-	-	13.8	-	-	6.9	7.8	21,400	64.2	32.1	22.8
	BHL1220	1-1/2	-	-	19.8	-	-	9.9	7.8	21,400	64.2	32.1	22.8
	BHL1440	1-1/2	-	-	21.0	-	-	10.5	8.4	33,600	87.2	47.5	34.9
BHL1860	1-1/2	-	-	28.0	-	-	14.0	11.2	49,850	128.4	70.0	56.0	

* 208-230/3/60 and 460/3/60 motors are 3/4 HP

NOTES: TD = Temperature Difference = (Room temperature - saturated suction temperature)

Capacity Correction Factors for Electric and Hot Gas Defrost Units

Saturated Suction Temperature °F	+20	-10	-20	-30	-40
Saturated Suction Temperature °C	-7	-23	-29	-34	-40
Multiply Capacity By	1.15	1.04	1.00	0.90	0.80

PERFORMANCE DATA : HOT GAS DEFROST

Model BHG/BHF Hot Gas Defrost | 60 Hz

Model	Capacity				Fan Data			Air Throw						
	R-404A		R-407A/C/F, R-448A/R-449A		No.	CFM	m ³ H	Diameter		Standard		w/Collar		
	10°F TD -20°F SST	6°C TD -29°C SST	10°F TD -20°F SST	6°C TD -29°C SST				in.	mm	ft.	m	ft.	m	
	BTUH	Watts	BTUH	Watts										
6 Fins Per Inch	BHG450	45,000	13,200	49,000	14,400	2	9,000	15,300	24	610	70	21	85	26
	BHG550	55,000	16,100	61,000	17,900	2	9,000	15,300	24	610	70	21	85	26
	BHG640	64,000	18,800	69,000	20,200	3	12,600	21,400	24	610	70	21	85	26
	BHG740	74,000	21,700	81,000	23,700	3	12,600	21,400	24	610	70	21	85	26
	BHG810	81,000	23,700	89,000	26,100	4	16,800	28,600	24	610	70	21	85	26
	BHG950	95,000	27,800	105,000	30,800	4	16,800	28,600	24	610	70	21	85	26
	BHG1020	102,000	29,900	112,000	32,800	3	20,700	35,200	30	762	100	30	115	35
	BHG1200	120,000	35,200	134,000	39,300	3	20,700	35,200	30	762	100	30	115	35
	BHG1390	139,000	40,700	156,000	45,700	3	24,300	41,300	30	762	100	30	115	35
	BHG1650	165,000	48,400	182,000	53,300	3	26,550	45,100	30	762	120	37	140	43
	BHG2120	212,000	62,100	233,000	68,300	4	35,400	60,200	30	762	120	37	140	43
4 Fins Per Inch	BHF400	40,000	11,700	43,000	12,600	2	9,400	16,000	24	610	70	21	85	26
	BHF480	48,000	14,100	53,000	15,500	2	9,400	16,000	24	610	70	21	85	26
	BHF560	56,000	16,400	60,000	17,600	3	13,200	22,400	24	610	70	21	85	26
	BHF650	65,000	19,000	70,000	20,500	3	13,200	22,400	24	610	70	21	85	26
	BHF710	71,000	20,800	77,000	22,600	4	17,600	29,900	24	610	70	21	85	26
	BHF840	84,000	24,600	91,000	26,700	4	17,600	29,900	24	610	70	21	85	26
	BHF890	89,000	26,100	98,000	28,700	3	21,600	36,700	30	762	100	30	115	35
	BHF1050	105,000	30,800	116,000	34,000	3	21,600	36,700	30	762	100	30	115	35
	BHF1220	122,000	35,800	134,000	39,300	3	25,200	42,800	30	762	100	30	115	35
	BHF1440	144,000	42,200	158,000	46,300	3	27,600	46,900	30	762	120	37	140	43
	BHF1860	186,000	54,500	205,000	60,100	4	36,800	62,600	30	762	120	37	140	43

* 208-230/3/60 and 460/3/60 motors are 3/4 HP

NOTES: TD = Temperature Difference = (Room temperature - saturated suction temperature)

PERFORMANCE DATA : HOT GAS DEFROST

Model BHG/BHF Hot Gas Defrost | 60 Hz

Model	HP	Standard Motor Data								Drain Pan Heaters Standard †			
		Total Amps								Watts	Total Amps		
		208-230/1/60		208- 230 /3/60	460/1/60		460 /3/60	575 /3/60	208- 230 /1/60		460 /1/60	575 /1/60	
		Wired 1-Phase	Wired 3-Phase		Wired 1-Phase	Wired 3-Phase							
6 Fins Per Inch	BHG450	1/2*	6.4	-	8.0	3.4	-	4.0	1.8	2,100	9.2	4.6	3.7
	BHG550	1/2*	6.4	-	8.0	3.4	-	4.0	1.8	2,100	9.2	4.6	3.7
	BHG640	1/2*	-	5.5	12.0	-	3.0	6.0	2.7	2,700	11.8	5.9	4.7
	BHG740	1/2*	-	5.5	12.0	-	3.0	6.0	2.7	2,700	11.8	5.9	4.7
	BHG810	1/2*	-	8.7	16.0	-	4.7	8.0	3.6	4,000	17.4	8.7	6.9
	BHG950	1/2*	-	8.7	16.0	-	4.7	8.0	3.6	4,000	17.4	8.7	6.9
	BHG1020	1	-	-	13.8	-	-	6.9	7.8	4,000	17.4	8.7	6.9
	BHG1200	1	-	-	13.8	-	-	6.9	7.8	4,000	17.4	8.7	6.9
	BHG1390	1-1/2	-	-	19.8	-	-	9.9	7.8	4,000	17.4	8.7	6.9
	BHG1650	1-1/2	-	-	21.0	-	-	10.5	8.4	4,200	18.2	9.1	7.3
BHG2120	1-1/2	-	-	28.0	-	-	14.0	11.2	6,450	23.2**	14.0	11.2	
4 Fins Per Inch	BHF400	1/2*	6.4	-	8.0	3.4	-	4.0	1.8	2,100	9.2	4.6	3.7
	BHF480	1/2*	6.4	-	8.0	3.4	-	4.0	1.8	2,100	9.2	4.6	3.7
	BHF560	1/2*	-	5.5	12.0	-	3.0	6.0	2.7	2,700	11.8	5.9	4.7
	BHF650	1/2*	-	5.5	12.0	-	3.0	6.0	2.7	2,700	11.8	5.9	4.7
	BHF710	1/2*	-	8.7	16.0	-	4.7	8.0	3.6	4,000	17.4	8.7	6.9
	BHF840	1/2*	-	8.7	16.0	-	4.7	8.0	3.6	4,000	17.4	8.7	6.9
	BHF890	1	-	-	13.8	-	-	6.9	7.8	4,000	17.4	8.7	6.9
	BHF1050	1	-	-	13.8	-	-	6.9	7.8	4,000	17.4	8.7	6.9
	BHF1220	1-1/2	-	-	19.8	-	-	9.9	7.8	4,000	17.4	8.7	6.9
	BHF1440	1-1/2	-	-	21.0	-	-	10.5	8.4	4,200	18.2	9.1	7.3
BHF1860	1-1/2	-	-	28.0	-	-	14.0	11.2	6,450	23.2**	14.0	11.2	

* 208-230/3/60 and 460/3/60 motors are 3/4 HP

** This model with 3-Phase drain pan heaters

† Hot gas drain pan available

NOTES: TD = Temperature Difference = (Room temperature - saturated suction temperature)

Capacity Correction Factors for Electric and Hot Gas Defrost Units

Saturated Suction Temperature °F	+20	-10	-20	-30	-40
Saturated Suction Temperature °C	-7	-23	-29	-34	-40
Multiply Capacity By	1.15	1.04	1.00	0.90	0.80

PERFORMANCE DATA : ELECTRIC DEFROST

Model BHE/BHL Electric Defrost High CFM | 60 Hz

Model	Capacity				Fan Data			Air Throw						
	R-404A		R-407A/C/F, R-448A/R-449A		No.	CFM	m ³ H	Diameter		Standard		With Collar		
	10°F TD -20°F SST	6°C TD -29°C SST	10°F TD -20°F SST	6°C TD -29°C SST				in.	mm	ft.	m	ft.	m	
	BTUH	Watts	BTUH	Watts										
6 Fins Per Inch	BHE450*V	49,500	14,500	53,900	15,800	2	11,300	19,200	24	610	85	30	100	30
	BHE550*V	60,500	17,700	67,100	19,700	2	11,300	19,200	24	610	85	30	100	30
	BHE640*V	70,400	20,700	75,900	22,200	3	15,900	27,000	24	610	85	30	100	30
	BHE740*V	81,400	23,900	89,100	26,100	3	15,900	27,000	24	610	85	30	100	30
	BHE810*V	89,100	26,100	97,900	28,700	4	21,200	36,000	24	610	85	30	100	30
	BHE950*V	104,500	30,600	115,500	33,900	4	21,200	36,000	24	610	85	30	100	30
	BHE1020*V	112,200	32,900	123,200	36,100	3	23,300	39,600	30	762	110	30	130	40
	BHE1200*V	132,000	38,700	147,400	43,200	3	23,300	39,600	30	762	110	30	130	40
	BHE1390*V	152,900	44,800	171,600	50,300	3	28,000	46,200	30	762	110	30	130	40
	BHE1650*V	181,500	53,200	200,200	58,600	3	29,700	50,500	30	762	130	40	150	50
	BHE2120*V	233,200	68,300	256,300	75,100	4	39,600	67,300	30	762	130	40	150	50
4 Fins Per Inch	BHL400*V	42,000	12,300	45,150	13,200	2	12,200	20,700	24	610	85	30	100	30
	BHL480*V	50,400	14,800	55,650	16,300	2	12,200	20,700	24	610	85	30	100	30
	BHL560*V	58,800	17,200	63,000	18,500	3	17,000	28,900	24	610	85	30	100	30
	BHL650*V	68,250	20,000	73,500	21,500	3	17,000	28,900	24	610	85	30	100	30
	BHL710*V	74,550	21,800	80,850	23,700	4	22,600	38,400	24	610	85	30	100	30
	BHL840*V	88,200	25,800	95,550	28,000	4	22,600	38,400	24	610	85	30	100	30
	BHL890*V	93,450	27,400	102,900	30,100	3	23,800	40,500	30	762	110	30	130	40
	BHL1050*V	110,250	32,300	121,800	35,700	3	23,800	40,500	30	762	110	30	130	40
	BHL1220*V	128,100	37,600	140,700	41,300	3	28,600	55,800	30	762	110	30	130	40
	BHL1440*V	151,200	44,300	165,900	48,600	3	30,600	52,000	30	762	130	40	150	50
	BHL1860*V	195,300	57,200	215,250	63,100	4	40,800	69,400	30	762	130	40	150	50

* This model with 3-Phase drain pan heaters

† Hot gas drain pan available

NOTES: High CFM models can handle external static pressure up to 1/2" of water
 High CFM models are designed for operation below 15°F SST
 CFM is at 0.0 external static pressure

NOTES: TD = Temperature Difference = (Room temperature - saturated suction temperature)

Capacity Correction Factors for Electric and Hot Gas Defrost Units

Saturated Suction Temperature °F	+20	-10	-20	-30	-40
Saturated Suction Temperature °C	-7	-23	-29	-34	-40
Multiply Capacity By	1.15	1.04	1.00	0.90	0.80

PERFORMANCE DATA : ELECTRIC DEFROST

Model BHE/BHL Electric Defrost High CFM | 60 Hz

Model	HP	Standard Motor Data		Defrost Heaters				
		Total Amps		Watts	Total Amps			
		208- 230 /3/60	460 /3/60		208- 230 /3/60	460 /3/60	575 /3/60	
6 Fins Per Inch	BHE450*V	2	12.0	6.0	9,900	27.5	13.9	11.1
	BHE550*V	2	12.0	6.0	9,900	27.5	13.9	11.1
	BHE640*V	2	18.0	9.0	12,900	35.8	18.1	14.5
	BHE740*V	2	18.0	9.0	12,900	35.8	18.1	14.5
	BHE810*V	2	24.0	12.0	17,050	47.8	24.3	19.1
	BHE950*V	2	24.0	12.0	17,050	47.8	24.3	19.1
	BHE1020*V	3	24.6	12.3	21,400	64.2	32.1	22.8
	BHE1200*V	3	24.6	12.3	21,400	64.2	32.1	22.8
	BHE1390*V	3	24.6	12.3	21,400	64.2	32.1	22.8
	BHE1650*V	3	24.6	12.3	33,600	87.2	47.5	34.9
	BHE2120*V	3	32.8	16.4	49,850	128.4	70.0	56.0
4 Fins Per Inch	BHL400*V	2	12.0	6.0	9,900	27.5	13.9	11.1
	BHL480*V	2	12.0	6.0	9,900	27.5	13.9	11.1
	BHL560*V	2	18.0	9.0	12,900	35.8	18.1	14.5
	BHL650*V	2	18.0	9.0	12,900	35.8	18.1	14.5
	BHL710*V	2	24.0	12.0	17,050	47.8	24.3	19.1
	BHL840*V	2	24.0	12.0	17,050	47.8	24.3	19.1
	BHL890*V	3	24.6	12.3	21,400	64.2	32.1	22.8
	BHL1050*V	3	24.6	12.3	21,400	64.2	32.1	22.8
	BHL1220*V	3	24.6	12.3	21,400	64.2	32.1	22.8
	BHL1440*V	3	24.6	12.3	33,600	87.2	47.5	34.9
	BHL1860*V	3	32.8	16.4	49,850	128.4	70.0	56.0

NOTES: High CFM models can handle external static pressure up to 1/2" of water
 High CFM models are designed for operation below 15°F SST
 CFM is at 0.0 external static pressure

NOTES: TD = Temperature Difference = (Room temperature - saturated suction temperature)

Capacity Correction Factors for Electric and Hot Gas Defrost Units

Saturated Suction Temperature °F	+20	-10	-20	-30	-40
Saturated Suction Temperature °C	-7	-23	-29	-34	-40
Multiply Capacity By	1.15	1.04	1.00	0.90	0.80

PERFORMANCE DATA : HOT GAS DEFROST

Model BHG/BHF Hot Gas Defrost High CFM | 60 Hz

Model	Capacity				Fan Data			Air Throw						
	R-404A		R-407A/C/F, R-448A/R-449A		No.	CFM	m ³ H	Diameter		Standard		w/Collar		
	10°F TD -20°F SST	6°C TD -29°C SST	10°F TD -20°F SST	6°C TD -29°C SST				in.	mm	ft.	m	ft.	m	
	BTUH	Watts	BTUH	Watts										
6 Fins Per Inch	BHG450*V	49,500	14,500	53,900	15,800	2	11,300	19,200	24	610	85	30	100	30
	BHG550*V	60,500	17,700	67,100	19,700	2	11,300	19,200	24	610	85	30	100	30
	BHG640*V	70,400	20,700	75,900	22,200	3	15,900	27,000	24	610	85	30	100	30
	BHG740*V	81,400	23,900	89,100	26,100	3	15,900	27,000	24	610	85	30	100	30
	BHG810*V	89,100	26,100	97,900	28,700	4	21,200	36,000	24	610	85	30	100	30
	BHG950*V	104,500	30,600	115,500	33,900	4	21,200	36,000	24	610	85	30	100	30
	BHG1020*V	112,200	32,900	123,200	36,100	3	23,300	39,600	30	762	110	30	130	40
	BHG1200*V	132,000	38,700	147,400	43,200	3	23,300	39,600	30	762	110	30	130	40
	BHG1390*V	152,900	44,800	171,600	50,300	3	28,000	46,200	30	762	110	30	130	40
	BHG1650*V	181,500	53,200	200,200	58,600	3	29,700	50,500	30	762	130	40	150	50
4 Fins Per Inch	BHG2120*V	233,200	68,300	256,300	75,100	4	39,600	67,300	30	762	130	40	150	50
	BHF400*V	42,000	12,300	45,150	13,200	2	12,200	20,700	24	610	85	30	100	30
	BHF480*V	50,400	14,800	55,650	16,300	2	12,200	20,700	24	610	85	30	100	30
	BHF560*V	58,800	17,200	63,000	18,500	3	17,000	28,900	24	610	85	30	100	30
	BHF650*V	68,250	20,000	73,500	21,500	3	17,000	28,900	24	610	85	30	100	30
	BHF710*V	74,550	21,800	80,850	23,700	4	22,600	38,400	24	610	85	30	100	30
	BHF840*V	88,200	25,800	95,550	28,000	4	22,600	38,400	24	610	85	30	85	30
	BHF890*V	93,450	27,400	102,900	30,100	3	23,800	40,500	30	762	110	30	130	40
	BHF1050*V	110,250	32,300	121,800	35,700	3	23,800	40,500	30	762	110	30	130	40
	BHF1220*V	128,100	37,600	140,700	41,300	3	28,600	55,800	30	762	110	30	130	40
BHF1440*V	151,200	44,300	165,900	48,600	3	30,600	52,000	30	762	130	40	150	50	
BHF1860*V	195,300	57,200	215,250	63,100	4	40,800	69,400	30	762	130	40	150	50	

* This model with 3-Phase drain pan heaters

† Hot gas drain pan available

NOTES: High CFM models can handle external static pressure up to 1/2" of water
 High CFM models are designed for operation below 15°F SST
 CFM is at 0.0 external static pressure

NOTES: TD = Temperature Difference = (Room temperature - saturated suction temperature)

PERFORMANCE DATA : HOT GAS DEFROST

Model BHG/BHF Hot Gas Defrost High CFM | 60 Hz

Model	HP	Standard Motor Data		Drain Pan Heaters Standard †				
		Total Amps		Watts	Total Amps			
		208- 230 /3/60	460 /3/60		208- 230 /1/60	460 /1/60	575 /1/60	
6 Fins Per Inch	BHG450*V	2	12.0	6.0	2,100	9.2	4.6	3.7
	BHG550*V	2	12.0	6.0	2,100	9.2	4.6	3.7
	BHG640*V	2	18.0	9.0	2,700	11.8	5.9	4.7
	BHG740*V	2	18.0	9.0	2,700	11.8	5.9	4.7
	BHG810*V	2	24.0	12.0	4,000	17.4	8.7	6.9
	BHG950*V	2	24.0	12.0	4,000	17.4	8.7	6.9
	BHG1020*V	3	24.6	12.3	4,000	17.4	8.7	6.9
	BHG1200*V	3	24.6	12.3	4,000	17.4	8.7	6.9
	BHG1390*V	3	24.6	12.3	4,000	17.4	8.7	6.9
	BHG1650*V	3	24.6	12.3	4,200	18.2	9.1	7.3
	BHG2120*V	3	32.8	16.4	6,450	23.2*	14.0	11.2
4 Fins Per Inch	BHF400*V	2	12.0	6.0	2,100	9.2	4.6	3.7
	BHF480*V	2	12.0	6.0	2,100	9.2	4.6	3.7
	BHF560*V	2	18.0	9.0	2,700	11.8	5.9	4.7
	BHF650*V	2	18.0	9.0	2,700	11.8	5.9	4.7
	BHF710*V	2	24.0	12.0	4,000	17.4	8.7	6.9
	BHF840*V	2	24.0	12.0	4,000	17.4	8.7	6.9
	BHF890*V	3	24.6	12.3	4,000	17.4	8.7	6.9
	BHF1050*V	3	24.6	12.3	4,000	17.4	8.7	6.9
	BHF1220*V	3	24.6	12.3	4,000	17.4	8.7	6.9
	BHF1440*V	3	24.6	12.3	4,200	18.2	9.1	7.3
	BHF1860*V	3	32.8	16.4	6,450	23.2*	14.0	11.2

* This model with 3-Phase drain pan heaters

† Hot gas drain pan available

NOTES: High CFM models can handle external static pressure up to 1/2" of water
 High CFM models are designed for operation below 15°F SST
 CFM is at 0.0 external static pressure

NOTES: TD = Temperature Difference = (Room temperature - saturated suction temperature)

Capacity Correction Factors for Electric and Hot Gas Defrost Units

Saturated Suction Temperature °F	+20	-10	-20	-30	-40
Saturated Suction Temperature °C	-7	-23	-29	-34	-40
Multiply Capacity By	1.15	1.04	1.00	0.90	0.80

PERFORMANCE DATA: AIR DEFROST

Model BHA Air Defrost | 50 Hz

Model		Capacity				Fan Data				Air Throw				
		R-404A		R-407A/C/F, R-448A/R-449A		CFM	m³H	No.	Diameter		Standard		With Collar	
		10°F TD 25°F SST	6°C TD -4°C SST	10°F TD 25°F SST	6°C TD -4°C SST									
		BTUH	Watts	BTUH	Watts				in.	mm	ft.	m	ft.	m
6 Fins Per Inch	BHA520	47,800	14,000	53,400	15,600	8,100	23,400	2	24	610	60	18	80	24
	BHA630	58,000	17,000	66,200	19,400	8,100	23,400	2	24	610	60	18	80	24
	BHA750	69,000	20,200	79,100	23,200	11,300	32,700	3	24	610	60	18	80	24
	BHA850	78,200	22,900	89,200	26,100	11,300	32,700	3	24	610	60	18	80	24
	BHA930	85,600	25,100	95,700	28,100	15,100	43,800	4	24	610	60	18	80	24
	BHA1100	101,200	29,600	115,000	33,700	15,100	43,800	4	24	610	60	18	80	24
	BHA1170	107,600	31,600	122,400	35,900	18,600	53,900	3	30	762	90	27	100	30
	BHA1400	128,800	37,700	149,000	43,700	18,600	53,900	3	30	762	90	27	100	30
	BHA1610	148,100	43,400	172,000	50,400	21,900	63,200	3	30	762	90	27	100	30
	BHA1900	174,800	51,200	202,400	59,300	23,900	69,000	3	30	762	110	34	130	40
	BHA2200	198,700	58,200	230,900	67,700	27,400	79,100	4	30	762	110	34	130	40
	BHA2440	202,400	59,300	234,600	68,700	31,900	92,100	4	30	762	110	34	130	40
8 Fins	BHA2160	224,500	65,800	265,000	77,600	23,400	67,500	3	30	762	110	34	130	40
	BHA2500	230,000	67,400	271,400	79,600	26,700	77,000	4	30	762	110	34	130	40
	BHA2780	255,800	75,000	301,800	88,400	31,200	90,000	4	30	762	110	34	130	40

Model		HP	Standard Motor Data			
			Total Amps			
			220/1/50	380/1/50		380/3/50
			Wired 1-Phase	Wired 1-Phase	Wired 3-Phase	
6 Fins Per Inch	BHA520	1/2*	6.4	3.4	-	4.0
	BHA630	1/2*	6.4	3.4	-	4.0
	BHA750	1/2*	9.6	-	3.0	6.0
	BHA850	1/2*	9.6	-	3.0	6.0
	BHA930	1/2*	12.8	-	4.7	8.0
	BHA1100	1/2*	12.8	-	4.7	8.0
	BHA1170	1	-	-	-	6.9
	BHA1400	1	-	-	-	6.9
	BHA1610	1-1/2	-	-	-	9.9
	BHA1900	1-1/2	-	-	-	10.5
	BHA2200	1-1/2	-	-	-	13.2
	BHA2440	1-1/2	-	-	-	14.0
8 Fins	BHA2160	1-1/2	-	-	-	10.5
	BHA2500	1-1/2	-	-	-	13.2
	BHA2780	1-1/2	-	-	-	14.0

* 380/3/50 motors are 3/4 HP

NOTES: TD = Temperature Difference = (Room temperature - saturated suction temperature)

SPECIFICATIONS: ELECTRIC DEFROST

Model BHE/BHL Electric Defrost | 50 Hz

Model	Capacity				Fan Data			Air Throw						
	R-404A		R-407A/C/F, R-448A/R-449A		No.	CFM	m³H	Diameter		Standard		With Collar		
	10°F TD -20°F SST	6°C TD -29°C SST	10°F TD -20°F SST	6°C TD -29°C SST				in.	mm	ft.	m	ft.	m	
	BTUH	Watts	BTUH	Watts										
6 Fins Per Inch	BHE450	41,400	12,100	45,100	13,200	2	8,100	23,400	24	610	60	18	80	24
	BHE550	50,600	14,800	56,100	16,500	2	8,100	23,400	24	610	60	18	80	24
	BHE640	58,900	17,300	63,500	18,600	3	11,300	32,700	24	610	60	18	80	24
	BHE740	68,100	20,000	74,500	21,800	3	11,300	32,700	24	610	60	18	80	24
	BHE810	74,500	21,800	81,900	24,000	4	15,100	43,800	24	610	60	18	80	24
	BHE950	87,400	25,600	96,600	28,300	4	15,100	43,800	24	610	60	18	80	26
	BHE1020	93,800	27,500	103,000	30,200	3	18,600	53,900	30	762	90	27	100	30
	BHE1200	110,400	32,400	123,300	36,200	3	18,600	53,900	30	762	90	27	100	30
	BHE1390	127,900	37,400	143,500	42,000	3	21,900	63,200	30	762	90	27	100	30
	BHE1650	151,800	44,500	167,400	49,000	3	23,900	69,000	30	762	110	34	130	40
	BHE2120	195,000	57,100	214,400	62,800	4	31,900	92,100	30	762	110	34	130	40
4 Fins Per Inch	BHL400	36,800	10,800	39,600	11,600	2	8,500	24,500	24	762	60	18	80	24
	BHL480	44,200	13,000	48,800	14,300	2	8,500	24,500	24	762	60	18	80	24
	BHL560	51,500	15,100	55,200	16,200	3	11,900	34,300	24	762	60	18	80	24
	BHL650	59,800	17,500	64,400	18,900	3	11,900	34,300	24	762	60	18	80	24
	BHL710	65,300	19,100	70,800	20,800	4	15,900	45,700	24	610	60	18	80	24
	BHL840	77,300	22,600	83,700	24,600	4	15,900	45,700	24	610	60	18	80	26
	BHL890	81,900	24,000	90,200	26,400	3	19,500	56,200	30	762	90	27	100	30
	BHL1050	96,600	28,300	106,700	31,300	3	19,500	56,200	30	762	90	27	100	30
	BHL1220	112,200	32,900	123,300	36,200	3	22,700	65,500	30	762	90	27	100	30
	BHL1440	132,500	38,800	145,400	42,600	3	24,900	71,800	30	762	110	34	130	40
	BHL1860	171,100	50,100	188,600	55,300	4	33,100	95,800	30	762	110	34	130	40

* 380/3/50 motors are 3/4 HP

NOTES: TD = Temperature Difference = (Room temperature - saturated suction temperature)

Capacity Correction Factors for Electric and Hot Gas Defrost Units

Saturated Suction Temperature °F	+20	-10	-20	-30	-40
Saturated Suction Temperature °C	-7	-23	-29	-34	-40
Multiply Capacity By	1.15	1.04	1.00	0.90	0.80

PERFORMANCE DATA : ELECTRIC DEFROST

Model BHE/BHL Electric Defrost | 50 Hz

	Model	HP	Standard Motor Data			Defrost Heaters		
			Total Amps			Total Amps		
			380/1/50			380/3/50	Watts	380/3/50
			Wired 1-Phase	Wired 3-Phase				
6 Fins Per Inch	BHE450	1/2*	3.4	-	4.0	6,760	11.5	
	BHE550	1/2*	3.4	-	4.0	6,760	11.5	
	BHE640	1/2*	-	3.0	6.0	8,800	15.0	
	BHE740	1/2*	-	3.0	6.0	8,800	15.0	
	BHE810	1/2*	-	4.7	8.0	11,640	20.1	
	BHE950	1/2*	-	4.7	8.0	11,640	20.1	
	BHE1020	1	-	-	6.9	14,600	26.5	
	BHE1200	1	-	-	6.9	14,600	26.5	
	BHE1390	1-1/2	-	-	9.9	14,600	26.5	
	BHE1650	1-1/2	-	-	10.5	22,930	39.2	
	BHE2120	1-1/2	-	-	14.0	34,050	57.9	
8 Fins Per Inch	BHL400	1/2*	3.4	-	4.0	6,760	11.5	
	BHL480	1/2*	3.4	-	4.0	6,760	11.5	
	BHL560	1/2*	-	3.0	6.0	8,800	15.0	
	BHL650	1/2*	-	3.0	6.0	8,800	15.0	
	BHL710	1/2*	-	4.7	8.0	11,640	20.1	
	BHL840	1/2*	-	4.7	8.0	11,640	20.1	
	BHL890	1	-	-	6.9	14,600	26.5	
	BHL1050	1	-	-	6.9	14,600	26.5	
	BHL1220	1-1/2	-	-	9.9	14,600	26.5	
	BHL1440	1-1/2	-	-	10.5	22,930	39.2	
	BHL1860	1-1/2	-	-	14.0	33,050	57.9	

* 380/3/50 motors are 3/4 HP

NOTES: TD = Temperature Difference = (Room temperature - saturated suction temperature)

Capacity Correction Factors for Electric and Hot Gas Defrost Units

Saturated Suction Temperature °F	+20	-10	-20	-30	-40
Saturated Suction Temperature °C	-7	-23	-29	-34	-40
Multiply Capacity By	1.15	1.04	1.00	0.90	0.80

PERFORMANCE DATA : HOT GAS DEFROST

Model BHG/BHF Hot Gas Defrost | 50 Hz

Model	Capacity				Fan Data			Air Throw						
	R-404A		R-407A/C/F, R-448A/R-449A		No.	CFM	m ³ H	Diameter		Standard		w/Collar		
	10°F TD -20°F SST	6°C TD -29°C SST	10°F TD -20°F SST	6°C TD -29°C SST				in.	mm	ft.	m	ft.	m	
	BTUH	Watts	BTUH	Watts										
6 Fins Per Inch	BHG450	41,400	12,100	45,100	13,200	2	8,100	23,400	24	610	60	18	80	24
	BHG550	50,600	14,800	56,100	16,500	2	8,100	23,400	24	610	60	18	80	24
	BHG640	58,900	17,300	63,500	18,600	3	11,300	32,700	24	610	60	18	80	24
	BHG740	68,100	20,000	74,500	21,800	3	11,300	32,700	24	610	60	18	80	24
	BHG810	74,500	21,800	81,900	24,000	4	15,100	43,800	24	610	60	18	80	24
	BHG950	87,400	25,600	96,600	28,300	4	15,100	43,800	24	610	60	18	80	26
	BHG1020	93,800	27,500	103,000	30,200	3	18,600	53,900	30	762	90	27	100	30
	BHG1200	110,400	32,400	123,300	36,200	3	18,600	53,900	30	762	90	27	100	30
	BHG1390	127,900	37,400	143,500	42,000	3	21,900	63,200	30	762	90	27	100	30
	BHG1650	151,800	44,500	167,400	49,000	3	23,900	69,000	30	762	110	34	130	40
	BHG2120	195,000	57,100	214,400	62,800	4	31,900	92,100	30	762	110	34	130	40
4 Fins Per Inch	BHF400	36,800	10,800	39,600	11,600	2	8,500	24,500	24	762	60	18	80	24
	BHF480	44,200	13,000	48,800	14,300	2	8,500	24,500	24	762	60	18	80	24
	BHF560	51,500	15,100	55,200	16,200	3	11,900	34,300	24	762	60	18	80	24
	BHF650	59,800	17,500	64,400	18,900	3	11,900	34,300	24	762	60	18	80	24
	BHF710	65,300	19,100	70,800	20,800	4	15,900	45,700	24	610	60	18	80	24
	BHF840	77,300	22,600	83,700	24,600	4	15,900	45,700	24	610	60	18	80	26
	BHF890	81,900	24,000	90,200	26,400	3	19,500	56,200	30	762	90	27	100	30
	BHF1050	96,600	28,300	106,700	31,300	3	19,500	56,200	30	762	90	27	100	30
	BHF1220	112,200	32,900	123,300	36,200	3	22,700	65,500	30	762	90	27	100	30
	BHF1440	132,500	38,800	145,400	42,600	3	24,900	71,800	30	762	110	34	130	40
	BHF1860	171,100	50,100	188,600	55,300	4	33,100	95,800	30	762	110	34	130	40

* 380/3/50 motors are 3/4 HP

† Hot gas drain pan available

NOTES: TD = Temperature Difference = (Room temperature - saturated suction temperature)

Capacity Correction Factors for Electric and Hot Gas Defrost Units

Saturated Suction Temperature °F	+20	-10	-20	-30	-40
Saturated Suction Temperature °C	-7	-23	-29	-34	-40
Multiply Capacity By	1.15	1.04	1.00	0.90	0.80

PERFORMANCE DATA : HOT GAS DEFROST

Model BHG/BHF Hot Gas Defrost | 50 Hz

Model	HP	Standard Motor Data				Defrost Heaters Standard †		
		Total Amps				Total Amps		
		220/1/50	380/1/50		380/3/50	Watts	380/1/50	
			Wired 1-Phase	Wired 3-Phase				
6 Fins Per Inch	BHG450	1/2*	6.4	3.4	-	4.0	1,430	3.8
	BHG550	1/2*	6.4	3.4	-	4.0	1,430	3.8
	BHG640	1/2*	9.6	-	3.0	6.0	1,840	4.9
	BHG740	1/2*	9.6	-	3.0	6.0	1,840	4.9
	BHG810	1/2*	12.8	-	4.7	8.0	2,730	7.2
	BHG950	1/2*	12.8	-	4.7	8.0	2,730	7.2
	BHG1020	1	-	-	-	6.9	2,730	7.2
	BHG1200	1	-	-	-	6.9	2,730	7.2
	BHG1390	1-1/2	-	-	-	9.9	2,730	7.2
	BHG1650	1-1/2	-	-	-	10.5	2,870	7.5
	BHG2120	1-1/2	-	-	-	14.0	4,410	11.6
8 Fins Per Inch	BHF400	1/2*	6.4	3.4	-	4.0	1,430	3.8
	BHF480	1/2*	6.4	3.4	-	4.0	1,430	3.8
	BHF560	1/2*	9.6	-	3.0	6.0	1,840	4.9
	BHF650	1/2*	9.6	-	3.0	6.0	1,840	4.9
	BHF710	1/2*	12.8	-	4.7	8.0	2,730	7.2
	BHF840	1/2*	12.8	-	4.7	8.0	2,730	7.2
	BHF890	1	-	-	-	6.9	2,730	7.2
	BHF1050	1	-	-	-	6.9	2,730	7.2
	BHF1220	1-1/2	-	-	-	9.9	2,730	7.2
	BHF1440	1-1/2	-	-	-	10.5	2,870	7.5
	BHF1860	1-1/2	-	-	-	14.0	4,410	11.6

* 380/3/50 motors are 3/4 HP

† Hot gas drain pan available

NOTES: TD = Temperature Difference = (Room temperature - saturated suction temperature)

Capacity Correction Factors for Electric and Hot Gas Defrost Units

Saturated Suction Temperature °F	+20	-10	-20	-30	-40
Saturated Suction Temperature °C	-7	-23	-29	-34	-40
Multiply Capacity By	1.15	1.04	1.00	0.90	0.80

PERFORMANCE DATA : ELECTRIC DEFROST

Model BHE/BHL Electric Defrost High CFM | 50 Hz

Model	Capacity				Fan Data			Air Throw						
	R-404A		R-407A/C/F, R-448A/R-449A		No.	CFM	m³H	Diameter		Standard		With Collar		
	10°F TD -20°F SST	6°C TD -29°C SST	10°F TD -20°F SST	6°C TD -29°C SST				in.	mm	ft.	m	ft.	m	
	BTUH	Watts	BTUH	Watts										
6 Fins Per Inch	BHE450*V	45,500	13,300	49,600	14,500	2	10,200	17,300	24	610	80	24	90	27
	BHE550*V	55,700	16,300	61,700	18,200	2	10,200	17,300	24	610	80	24	90	27
	BHE640*V	64,800	19,000	69,900	20,500	3	14,300	24,300	24	610	80	24	90	27
	BHE740*V	74,900	22,000	82,000	24,000	3	14,300	24,300	24	610	80	24	90	27
	BHE810*V	82,000	24,000	90,100	26,400	4	19,100	32,500	24	610	80	24	90	27
	BHE950*V	96,100	28,200	106,300	31,100	4	19,100	32,500	24	610	80	24	90	27
	BHE1020*V	103,200	30,300	113,300	33,200	3	21,000	35,700	30	762	100	30	120	37
	BHE1200*V	121,400	35,600	135,600	39,800	3	21,000	35,700	30	762	100	30	120	37
	BHE1390*V	140,700	41,100	157,900	46,200	3	24,500	41,700	30	762	100	30	120	37
	BHE1650*V	167,000	49,000	184,100	53,900	3	26,700	45,400	30	762	120	37	140	43
	BHE2120*V	214,500	62,800	235,800	69,100	4	35,700	60,700	30	762	120	37	140	43
4 Fins Per Inch	BHL400*V	38,700	10,800	39,700	11,700	2	11,000	18,700	24	610	80	24	90	27
	BHL480*V	46,400	13,100	48,900	14,300	2	11,000	18,700	24	610	80	24	90	27
	BHL560*V	54,100	15,200	55,400	16,200	3	15,300	26,000	24	610	80	24	90	27
	BHL650*V	62,800	17,600	64,600	18,900	3	15,300	26,000	24	610	80	24	90	27
	BHL710*V	68,600	19,200	71,000	20,800	4	20,400	34,700	24	610	80	24	90	27
	BHL840*V	81,200	22,600	83,900	24,600	4	20,400	34,700	24	610	80	24	90	27
	BHL890*V	86,000	24,100	90,400	26,500	3	21,400	36,400	30	762	100	30	120	37
	BHL1050*V	101,500	28,400	107,000	31,400	3	21,400	36,400	30	762	100	30	120	37
	BHL1220*V	117,800	32,900	123,600	36,300	3	29,500	50,200	30	762	100	30	120	37
	BHL1440*V	139,200	38,900	145,800	42,700	3	27,600	46,900	30	762	120	37	140	43
	BHL1860*V	179,700	50,200	189,100	55,500	4	36,700	62,400	30	762	120	37	140	43

NOTES: High CFM models can handle external static pressure up to 1/2" of water
 High CFM models are designed for operation below 15°F SST
 CFM is at 0.0 external static pressure

NOTES: TD = Temperature Difference = (Room temperature - saturated suction temperature)

PERFORMANCE DATA : ELECTRIC DEFROST

Model BHE/BHL Electric Defrost High CFM | 50 Hz

	Model	HP	Standard Motor Data		Defrost Heaters	
			Total Amps	Watts	Total Amps	
			380/3/50		380/3/50	
6 Fins Per Inch	BHE450*V	2	6.0	6,760	11.5	
	BHE550*V	2	6.0	6,760	11.5	
	BHE640*V	2	9.0	8,800	15.0	
	BHE740*V	2	9.0	8,800	15.0	
	BHE810*V	2	12.0	11,640	20.1	
	BHE950*V	2	12.0	11,640	20.1	
	BHE1020*V	3	12.3	14,600	26.5	
	BHE1200*V	3	12.3	14,600	26.5	
	BHE1390*V	3	12.3	14,600	26.5	
	BHE1650*V	3	12.3	22,930	39.2	
	BHE2120*V	3	16.4	34,050	57.9	
4 Fins Per Inch	BHL400*V	2	6.0	6,760	11.5	
	BHL480*V	2	6.0	6,760	11.5	
	BHL560*V	2	9.0	8,800	15.0	
	BHL650*V	2	9.0	8,800	15.0	
	BHL710*V	2	12.0	11,640	20.1	
	BHL840*V	2	12.0	11,640	20.1	
	BHL890*V	3	12.3	14,600	26.5	
	BHL1050*V	3	12.3	14,600	26.5	
	BHL1220*V	3	12.3	14,600	26.5	
	BHL1440*V	3	12.3	22,930	39.2	
	BHL1860*V	3	16.4	34,050	57.9	

NOTES: High CFM models can handle external static pressure up to 1/2" of water
 High CFM models are designed for operation below 15°F SST
 CFM is at 0.0 external static pressure

NOTES: TD = Temperature Difference = (Room temperature - saturated suction temperature)

Capacity Correction Factors for Electric and Hot Gas Defrost Units

Saturated Suction Temperature °F	+20	-10	-20	-30	-40
Saturated Suction Temperature °C	-7	-23	-29	-34	-40
Multiply Capacity By	1.15	1.04	1.00	0.90	0.80

PERFORMANCE DATA : HOT GAS DEFROST

Model BHG/BHF Hot Gas Defrost High CFM | 50 Hz

Model	Capacity				Fan Data			Air Throw						
	R-404A		R-407A/C/F, R-448A/R-449A		No.	CFM	m³H	Diameter		Standard		w/ Collar		
	10°F TD -20°F SST	6°C TD -29°C SST	10°F TD -20°F SST	6°C TD -29°C SST				in.	mm	ft.	m	ft.	m	
	BTUH	Watts	BTUH	Watts										
6 Fins Per Inch	BHG450*V	45,500	13,300	49,600	14,500	2	10,200	17,300	24	610	80	24	90	27
	BHG550*V	55,700	16,300	61,700	18,200	2	10,200	17,300	24	610	80	24	90	27
	BHG640*V	64,800	19,000	69,900	20,500	3	14,300	24,300	24	610	80	24	90	27
	BHG740*V	74,900	22,000	82,000	24,000	3	14,300	24,300	24	610	80	24	90	27
	BHG810*V	82,000	24,000	90,100	26,400	4	19,100	32,500	24	610	80	24	90	27
	BHG950*V	96,100	28,200	106,300	31,100	4	19,100	32,500	24	610	80	24	90	27
	BHG1020*V	103,200	30,300	113,300	33,200	3	21,000	35,700	30	762	100	30	120	37
	BHG1200*V	121,400	35,600	135,600	39,800	3	21,000	35,700	30	762	100	30	120	37
	BHG1390*V	140,700	41,100	157,900	46,200	3	24,500	41,700	30	762	100	30	120	37
	BHG1650*V	167,000	49,000	184,100	53,900	3	26,700	45,400	30	762	120	37	140	43
	BHG2120*V	214,500	62,800	235,800	69,100	4	35,700	60,700	30	762	120	37	140	43
4 Fins Per Inch	BHF400*V	38,700	10,800	39,700	11,700	2	11,000	18,700	24	610	80	24	90	27
	BHF480*V	46,400	13,100	48,900	14,300	2	11,000	18,700	24	610	80	24	90	27
	BHF560*V	54,100	15,200	55,400	16,200	3	15,300	26,000	24	610	80	24	90	27
	BHF650*V	62,800	17,600	64,600	18,900	3	15,300	26,000	24	610	80	24	90	27
	BHF710*V	68,600	19,200	71,000	20,800	4	20,400	34,700	24	610	80	24	90	27
	BHF840*V	81,200	22,600	83,900	24,600	4	20,400	34,700	24	610	80	24	90	27
	BHF890*V	86,000	24,100	90,400	26,500	3	21,400	36,400	30	762	100	30	120	37
	BHF1050*V	101,500	28,400	107,000	31,400	3	21,400	36,400	30	762	100	30	120	37
	BHF1220*V	117,800	32,900	123,600	36,300	3	29,500	50,200	30	762	100	30	120	37
	BHF1440*V	139,200	38,900	145,800	42,700	3	27,600	46,900	30	762	120	37	140	43
BHF1860*V	179,700	50,200	189,100	55,500	4	36,700	62,400	30	762	120	37	140	43	

NOTES: High CFM models can handle external static pressure up to 1/2" of water
 High CFM models are designed for operation below 15°F SST
 CFM is at 0.0 external static pressure

NOTES: TD = Temperature Difference = (Room temperature - saturated suction temperature)

PERFORMANCE DATA : HOT GAS DEFROST

Model BHG/BHF Hot Gas Defrost High CFM | 50 Hz

	Model	HP	Standard Motor Data		Defrost Heaters Standard	
			Total Amps		Watts	Total Amps
			380/3/50			380/1/50
6 Fins Per Inch	BHG450*V	2	6.0	1,430	3.8	
	BHG550*V	2	6.0	1,430	3.8	
	BHG640*V	2	9.0	1,840	4.9	
	BHG740*V	2	9.0	1,840	4.9	
	BHG810*V	2	12.0	2,730	7.2	
	BHG950*V	2	12.0	2,730	7.2	
	BHG1020*V	3	12.3	2,730	7.2	
	BHG1200*V	3	12.3	2,730	7.2	
	BHG1390*V	3	12.3	2,730	7.2	
	BHG1650*V	3	12.3	2,870	7.5	
	BHG2120*V	3	16.4	4,410	11.6	
4 Fins Per Inch	BHF400*V	2	6.0	1,430	3.8	
	BHF480*V	2	6.0	1,430	3.8	
	BHF560*V	2	9.0	1,840	4.9	
	BHF650*V	2	9.0	1,840	4.9	
	BHF710*V	2	12.0	2,730	7.2	
	BHF840*V	2	12.0	2,730	7.2	
	BHF890*V	3	12.3	2,730	7.2	
	BHF1050*V	3	12.3	2,730	7.2	
	BHF1220*V	3	12.3	2,730	7.2	
	BHF1440*V	3	12.3	2,870	7.5	
	BHF1860*V	3	16.4	4,410	11.6	

NOTES: High CFM models can handle external static pressure up to 1/2" of water
 High CFM models are designed for operation below 15°F SST
 CFM is at 0.0 external static pressure

NOTES: TD = Temperature Difference = (Room temperature - saturated suction temperature)

Capacity Correction Factors for Electric and Hot Gas Defrost Units

Saturated Suction Temperature °F	+20	-10	-20	-30	-40
Saturated Suction Temperature °C	-7	-23	-29	-34	-40
Multiply Capacity By	1.15	1.04	1.00	0.90	0.80

Model BHA Air Defrost

	Model	No. of Fans	Connections (in.)				Approx. Net Wt.	
			Coil Inlet ODF	Suction ODF	External Equalizer ODF	Drain FPT	lbs.	kg
6 Fins Per Inch	BHA520	2	1-1/8	1-5/8	1/4	1-1/4	270	120
	BHA630	2	1-1/8	1-5/8	1/4	1-1/4	300	140
	BHA750	3	1-3/8	1-3/8	1/4	1-1/4	390	180
	BHA850	3	1-3/8	2-1/8	1/4	1-1/4	430	200
	BHA930	4	1-3/8	2-1/8	1/4	1-1/4	515	230
	BHA1100	4	1-3/8	2-1/8	1/4	1-1/4	565	260
	BHA1170	3	1-3/8	2-1/8	1/4	1-1/4	738	330
	BHA1400	3	1-5/8	2-1/8	1/4	1-1/4	800	360
	BHA1610	3	1-3/8 (2 conns)	2-1/8 (2 conns)	1/4 (2 conns)	1-1/4	850	390
	BHA1900	3	1-3/8	2-5/8	1/4	1-1/4	1,160	530
	BHA2200	4	1-3/8	2-5/8	1/4	1-1/4	1,500	680
	BHA2440	4	1-5/8	2-5/8	1/4	1-1/4	1,600	730
8 Fins	BHA2160	3	1-3/8	2-5/8	1/4	1-1/4	1,160	530
	BHA2500	4	1-3/8	2-5/8	1/4	1-1/4	1,500	680
	BHA2780	4	1-3/8	2-5/8	1/4	1-1/4	1,600	730

Model BHE/BHL Electric Defrost

	Model	No. of Fans	Connections (in.)				Approx. Net Wt.	
			Coil Inlet ODF	Suction ODF	External Equalizer ODF	Drain FPT	lbs.	kg
6 Fins Per Inch	BHE450	2	1-1/8	1-5/8	1/4	1-1/4	280	130
	BHE550	2	1-1/8	1-5/8	1/4	1-1/4	310	140
	BHE640	3	1-3/8	2-1/8	1/4	1-1/4	405	180
	BHE740	3	1-3/8	2-1/8	1/4	1-1/4	445	200
	BHE810	4	1-3/8	2-1/8	1/4	1-1/4	535	240
	BHE950	4	1-3/8	2-1/8	1/4	1-1/4	585	270
	BHE1020	3	1-3/8	2-1/8	1/4	1-1/4	753	340
	BHE1200	3	1-3/8	2-1/8	1/4	1-1/4	815	370
	BHE1390	3	1-3/8 (2 conns)	2-1/8 (2 conns)	1/4 (2 conns)	1-1/4	865	390
	BHE1650	3	1-3/8	2-5/8	1/4	1-1/4	1,175	530
BHE2120	4	1-3/8	2-5/8	1/4	1-1/4	1,620	730	
4 Fins Per Inch	BHL400	2	1-1/8	1-5/8	1/4	1-1/4	277	130
	BHL480	2	1-1/8	1-5/8	1/4	1-1/4	306	140
	BHL560	3	1-3/8	2-1/8	1/4	1-1/4	400	180
	BHL650	3	1-3/8	2-1/8	1/4	1-1/4	440	200
	BHL710	4	1-3/8	2-1/8	1/4	1-1/4	528	240
	BHL840	4	1-3/8	2-1/8	1/4	1-1/4	578	260
	BHL890	3	1-3/8	2-1/8	1/4	1-1/4	744	340
	BHL1050	3	1-3/8	2-1/8	1/4	1-1/4	805	370
	BHL1220	3	1-3/8 (2 conns)	2-1/8 (2 conns)	1/4 (2 conns)	1-1/4	854	390
	BHL1440	3	1-3/8	2-5/8	1/4	1-1/4	1,160	530
BHL1860	4	1-3/8	2-5/8	1/4	1-1/4	1,600	730	

PHYSICAL DATA

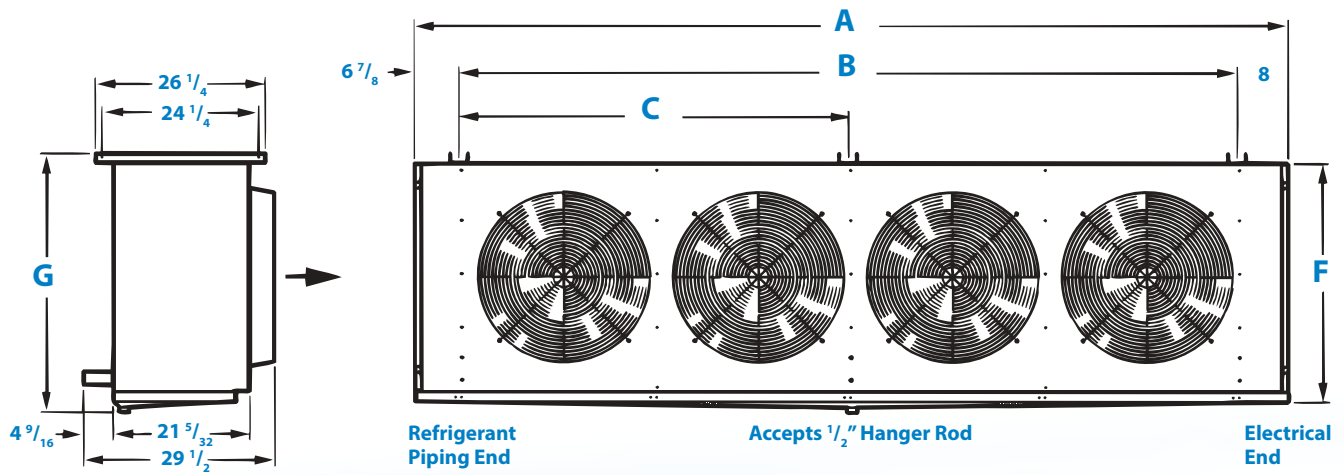
Model BHG/BHF Hot Gas Defrost

Model	No. of Fans	Connections (in.)						Approx. Net Wt.		
		Coil Inlet ODF	Suction ODF	External Equalizer ODF	Drain FPT	Hot Gas Side Port	Hot Gas Drain Pain Ref. Conn. (when supplied)	lbs.	kg	
6 Fins Per Inch	BHG450	2	1-1/8	1-5/8	1/4	1-1/4	5/8	1-1/8	280	130
	BHG550	2	1-1/8	1-5/8	1/4	1-1/4	5/8	1-1/8	310	140
	BHG640	3	1-3/8	2-1/8	1/4	1-1/4	7/8	1-1/8	405	180
	BHG740	3	1-3/8	2-1/8	1/4	1-1/4	7/8	1-1/8	445	200
	BHG810	4	1-3/8	2-1/8	1/4	1-1/4	7/8	1-1/8	535	240
	BHG950	4	1-3/8	2-1/8	1/4	1-1/4	7/8	1-1/8	585	270
	BHG1020	3	1-3/8	2-1/8	1/4	1-1/4	7/8	1-3/8	753	340
	BHG1200	3	1-5/8	2-1/8	1/4	1-1/4	1-1/8	1-3/8	815	370
	BHG1390	3	1-3/8 (2 conns)	2-1/8 (2 conns)	1/4 (2 conns)	1-1/4	7/8 (2 conns)	1-3/8	865	390
	BHG1650	3	1-3/8 (2 conns)	2-5/8 (2 conns)	1/4 (2 conns)	1-1/4	7/8 (2 conns)	1-5/8*	1,175	530
BHG2120	4	1-3/8 (2 conns)	2-5/8 (2 conns)	1/4 (2 conns)	1-1/4	7/8 (2 conns)	1-5/8*	1,620	730	
4 Fins Per Inch	BHF400	2	1-1/8	1-5/8	1/4	1-1/4	5/8	1-1/8	277	130
	BHF480	2	1-1/8	1-5/8	1/4	1-1/4	5/8	1-1/8	306	140
	BHF560	3	1-3/8	2-1/8	1/4	1-1/4	7/8	1-1/8	400	180
	BHF650	3	1-3/8	2-1/8	1/4	1-1/4	7/8	1-1/8	440	200
	BHF710	4	1-3/8	2-1/8	1/4	1-1/4	7/8	1-1/8	528	240
	BHF840	4	1-3/8	2-1/8	1/4	1-1/4	7/8	1-1/8	578	260
	BHF890	3	1-3/8	2-1/8	1/4	1-1/4	7/8	1-3/8	744	340
	BHF1050	3	1-5/8	2-1/8	1/4	1-1/4	1-1/8	1-3/8	805	370
	BHF1220	3	1-3/8 (2 conns)	2-1/8 (2 conns)	1/4 (2 conns)	1-1/4	7/8 (2 conns)	1-3/8	854	390
	BHF1440	3	1-3/8 (2 conns)	2-5/8 (2 conns)	1/4 (2 conns)	1-1/4	7/8 (2 conns)	1-5/8*	1,160	530
BHF1860	4	1-3/8 (2 conns)	2-5/8 (2 conns)	1/4 (2 conns)	1-1/4	7/8 (2 conns)	1-5/8*	1,600	730	

* Opposite end connections

DIMENSIONAL DATA

Diagram 1. All Models

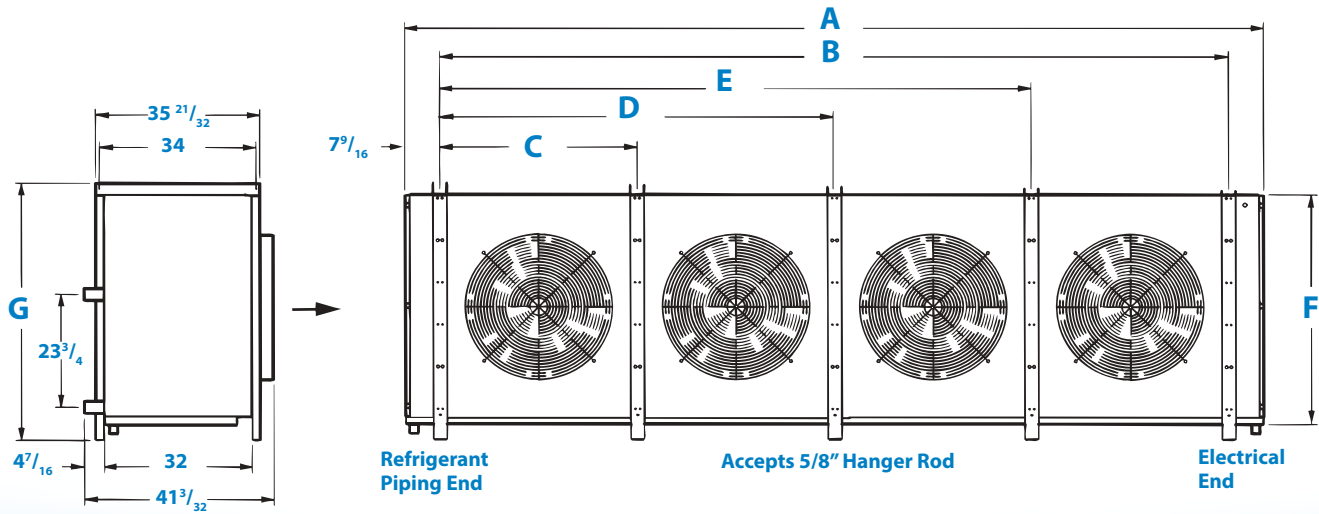


Dimensional Data For All Models

Air Defrost			Electric & Hot Gas			Dimensions							
6 FPI	6 FPI	4 FPI	A		B		C		F		G		
			in.	mm	in.	mm	in.	mm	in.	mm	in.	mm	
520	450	400	83-3/32	2,111	68-1/8	1,730	-	-	37-3/16	945	40-11/32	1,025	
630	550	480	83-3/32	2,111	68-1/8	1,730	-	-	37-3/16	945	40-11/32	1,025	
750	640	560	105-5/32	2,671	90-3/16	2,291	45-3/32	1,145	37-3/16	945	40-11/32	1,025	
850	740	650	105-5/32	2,671	90-3/16	2,291	45-3/32	1,145	37-3/16	945	40-11/32	1,025	
930	810	710	135-7/32	3,435	120-1/4	3,054	60-1/8	1,527	37-3/16	945	40-11/32	1,025	
1100	950	840	135-7/32	3,435	120-1/4	3,054	60-1/8	1,527	37-3/16	945	40-11/32	1,025	

DIMENSIONAL DATA

Diagram 2. All Models



Dimensional Data For All Models

Air Defrost		Electric & Hot Gas		Dimensions													
6 FPI	6 FPI	6 FPI	4 FPI	A		B		C		D		E		F		G	
				in.	mm	in.	mm	in.	mm	in.	mm	in.	mm	in.	mm	in.	mm
1170	-	1020	890	135-13/32	3,439	120-9/32	3,055	40-3/32	1,018	80-3/16	2,037	-	-	44-1/2	1,130	50-5/16	1,278
1400	-	1200	1050	135-13/32	3,439	120-9/32	3,055	40-3/32	1,018	80-3/16	2,037	-	-	44-1/2	1,130	50-5/16	1,278
1610	-	1390	1220	135-13/32	3,439	120-9/32	3,055	40-3/32	1,018	80-3/16	2,037	-	-	50-7/32	1,276	55-13/16	1,418
1900	2160	1650	1440	142-1/2	3,620	127-25/32	3,246	42-19/32	1,082	85-3/16	2,164	-	-	50-7/32	1,276	55-13/16	1,418
2200	2500	-	-	185-1/2	4,712	170-3/8	4,328	42-19/32	1,082	85-3/16	2,164	127-25/32	3,246	44-1/2	1,130	50-5/16	1,278
2440	2780	2120	1860	185-1/2	4,712	170-3/8	4,328	42-19/32	1,082	85-3/16	2,164	127-25/32	3,246	50-7/32	1,276	56-1/4	1,429

Electric & Hot Gas Defrost Models Air Throw

Electric & Hot Gas		Standard Motor RPM	Standard HP	Air Throw	Air Throw w/Collar	Optional High CFM Motor RPM	Optional HP	Air Throw	Air Throw w/Collar
6 FPI	4 FPI								
450-950	400-840	850	1/2*	70	85	1,750	2	80	0
1020-1390	890-1220	850	1 & 1-1/2	100	120	1,750	3	115	145
1650-2120	1440-1860	1,140	1-1/2	120	145	1,750	3	130	150

* 3-Phase Motors are 1140 RPM
Air throw data based on 30 ft. ceiling height with no obstructions where velocity drops to 50 fpm

STANDARD NOZZLE SELECTION

Standard Nozzles

	Model	No. of Fans	Distributor Tube (in.)		No. of Circuits	R-404A, R-507A Nozzle	R-407A, R-407F, R-407C Nozzle	R-448A, R-449A Nozzle	R-22 Nozzle*
			OD	Length					
BHA Air Defrost	BHA520	2	3/16	25.5	14	E-4	E-4	E-5	E-2-1/2
	BHA630	2	3/16	25.5	14	E-4	E-4	E-6	E-3
	BHA750	3	3/16	25.5	21	C-5	C-5	C-8	C-4
	BHA850	3	3/16	25.5	28	C-6	C-6	C-8	C-4
	BHA930	4	3/16	25.5	21	C-6	C-6	C-10	C-4
	BHA1100	4	3/16	25.5	28	C-8	C-8	C-12	C-5
	BHA1170	3	3/16	28	25	C-8	C-8	C-12	C-5
	BHA1400	3	3/16	28	34	A-12	A-12	A-15	A-6
	BHA1610	3	3/16	21.5	19 X 2	2 X C-6	2 X C-6	2 X C-8	2 X C-4
	BHA1900	3	1/4	32	24	C-15	C-15	C-20	C-12
	BHA2160	3	1/4	32	19	C-17	C-17	C-25	C-12
	BHA2200	4	1/4	32	21	C-17	C-17	C-25	C-15
	BHA2440	4	1/4	32	32	A-20	A-20	A-30	C-15
	BHA2500	4	1/4	32	21	C-20	C-20	C-25	C-15
BHA2780	4	1/4	32	24	C-25	C-25	C-30	C-15	
BHE /BHL Electric Defrost	BHE450	2	3/16	25.5	14	E-5	E-5	E-6	E-3
	BHE550	2	3/16	25.5	14	E-8	E-5	E-8	E-4
	BHE640	3	3/16	25.5	21	C-8	C-8	C-10	C-5
	BHE740	3	3/16	25.5	28	C-10	C-10	C-12	C-6
	BHE810	4	3/16	25.5	21	C-10	C-10	C-12	C-8
	BHE950	4	3/16	25.5	28	C-15	C-10	C-15	C-8
	BHE1020	3	3/16	28	25	C-12	C-12	C-15	C-8
	BHE1200	3	3/16	28	34	A-15	A-15	A-20	A-10
	BHE1390	3	3/16	21.5	19 X 2	2 X C-8	2 X C-8	2 X C-10	2 X C-5
	BHE1650	3	1/4	32	24	C-30	C-20	C-30	C-15
	BHE2120	4	1/4	32	32	A-30	A-30	A-35	A-20
	BHL400	2	3/16	25.5	14	E-5	E-5	E-6	E-3
	BHL480	2	3/16	25.5	14	E-8	E-5	E-8	E-4
	BHL560	3	3/16	25.5	21	C-8	C-8	C-10	C-5
	BHL650	3	3/16	25.5	28	C-10	C-10	C-12	C-6
	BHL710	4	3/16	25.5	21	C-10	C-10	C-12	C-8
	BHL840	4	3/16	25.5	28	C-15	C-10	C-15	C-8
	BHL890	3	3/16	28	25	C-12	C-12	C-15	C-8
BHL1050	3	3/16	28	34	A-15	A-15	A-20	A-10	
BHL1220	3	3/16	21.5	19 X 2	2 X C-8	2 X C-8	2 X C-10	2 X C-5	
BHL1440	3	1/4	32	24	C-30	C-20	C-30	C-15	
BHL1860	4	1/4	32	32	A-30	A-30	A-35	A-20	
BHG/BHF Hot Gas Defrost	BHG450	2	3/16	25.5	14	E-5	E-5	E-6	E-3
	BHG550	2	3/16	25.5	14	E-5	E-5	E-8	E-4
	BHG640	3	3/16	25.5	21	C-8	C-8	C-10	C-4
	BHG740	3	3/16	25.5	28	C-10	C-10	C-12	C-5
	BHG810	4	3/16	25.5	21	C-10	C-10	C-12	C-5
	BHG950	4	3/16	25.5	28	C-12	C-12	C-15	C-6
	BHG1020	3	3/16	28	25	C-12	C-12	C-15	C-6
	BHG1200	3	3/16	28	34	A-15	A-15	A-17	A-8
	BHG1390	3	3/16	21.5	19 X 2	2 X C-8	2 X C-8	2 X C-10	2 X C-4
	BHG1650	3	1/4	24	16 X 2	2 X C-20	2 X C-20	2 X C-30	2 X C-12
	BHG2120	4	1/4	24	16 X 2	2 X A-30	2 X A-30	2 X A-35	2 X A-17
	BHF400	2	3/16	25.5	14	E-5	E-5	E-6	E-3
	BHF480	2	3/16	25.5	14	E-5	E-5	E-8	E-4
	BHF560	3	3/16	25.5	21	C-8	C-8	C-10	C-4
	BHF650	3	3/16	25.5	28	C-10	C-10	C-12	C-5
	BHF710	4	3/16	25.5	21	C-10	C-10	C-12	C-5
	BHF840	4	3/16	25.5	28	C-12	C-12	C-15	C-6
	BHF890	3	3/16	28	25	C-12	C-12	C-15	C-6
	BHF1050	3	3/16	28	34	A-15	A-15	A-17	A-8
	BHF1220	3	3/16	21.5	19 X 2	2 X C-8	2 X C-8	2 X C-10	2 X C-4
BHF1440	3	1/4	24	16 X 2	2 X C-20	2 X C-20	2 X C-30	2 X C-12	
BHF1860	4	1/4	24	16 X 2	2 X A-30	2 X A-30	2 X A-35	2 X A-17	

*R-22 nozzle is not included with evaporator. It is for reference only

Note: Nozzles sized for 90-100°F liquid temperature at expansion valve.

Contact Application Engineering for guidance if:

- Liquid temperature is not 90-100°F
- Evaporator TD is not 10°-15°F (room temperature – saturated suction temperature)
- Electric defrost and hot gas models with a saturated suction temperature of 10°F or higher

CAUTION: Refrigeration system will not perform properly without Correct Nozzle!

Right source. Right parts. Right now.

InterLink™ is your link to a complete line of dependable and certified commercial refrigeration parts, accessories and innovative electronic controls for all Bohn equipment. At InterLink, we provide our wholesalers with a comprehensive selection of product solutions and innovative technologies for the installed customer base. And every product is built to ensure the same high performance standards with which all Heatcraft Refrigeration Products (HRP) brands are built —

backed by a dedicated team to serve every customer need, delivering at the best lead times in the industry.

Dependable. Versatile. Courteous.

Finally, one simple source for all your replacement needs from a name you can trust.

For parts, please contact (800) 686-7278 or visit www.heatcraftprd.com.

Motor/Fan Blade/Fan Guards

Part #	Description	
25305701	Motor 208-230V/1PH PSC	1/2 HP 850 RPM
25305801	Motor 460V/1PH PSC	1/2 HP 850 RPM
7072102	Motor 208-230/460V/3PH	3/4 HP 1140 RPM
25316301	Motor 208-230/460V/3PH	1 HP 850 RPM
25316601	Motor 208-230/460V/3PH	1-1/2 HP 850 RPM
25316401	Motor 208-230/460V/3PH	1-1/2 HP 1140 RPM
25307901	Motor 575V/3PH	1/2 HP 1140 RPM
25316801	Motor 575V/3PH	1-1/2 HP 850 RPM
25316701	Motor 575V/3PH	1-1/2 HP 1140 RPM
25301001	Motor 208-230/460V/3PH	1 HP 1140 RPM TE
25391101	Motor 208-230/460V/3PH	1-1/2 HP 1140 RPM TE INVERTER DUTY
5916F	Motor 208-230/460V/3PH	2 HP 1750 RPM
5926J	Motor 208-230/460V/3PH	3 HP 1750 RPM
25308901	Motor 208-230/460V/3PH	1 HP 1140 RPM TE (LT)
22901101	Fan Blade 24"	850 RPM
5133C	Fan Blade 24"	1140 RPM
22901201	Fan Blade 24"	1750 RPM Cast Aluminum
22900101	Fan Blade 30"	1140 RPM
22900301	Fan Blade 30"	850 RPM
22900401	Fan Blade 30"	850 RPM
22901401	Fan Blade 30"	1750 RPM Cast Aluminum
22901501	Fan Blade 30"	1140 RPM
23102203	Fan Guard 24"	Beige
23102303	Fan Guard 30"	Beige

Coil Defrost Heaters

Part #	Description	Unit Voltage	Model	Wire Lead Color Code
24711201	Heater 230V 1300W	208-230V & 460V	400, 450, 480, 550	Black
24711202	Heater 230V 1700W	208-230V & 460V	560, 640, 650, 740	Black
24711203	Heater 230V 2300W	208-230V & 460V	710, 810, 840, 890, 950, 1020, 1050, 1200, 1220, 1390	Black
24711801	Heater 288V 1300W	575V	400, 450, 480, 550	Black, Red
24711802	Heater 288V 1700W	575V	560, 640, 650, 740	Black, Red
24711803	Heater 288V 2300W	575V	710, 810, 840, 890, 950, 1020, 1050, 1200, 1220, 1390	Black, Red
23308101	Heater Clip	-	400-1390	-
24712301	Heater 230V 2100W	208-230V & 460V	1440, 1650	Black
24712401	Heater 230V 3100W	208-230V & 460V	1860, 2120	Black
24712302	Heater 288V 2100W	575V	1440, 1650	Black, Red
24712403	Heater 288V 3100W	575V	1860, 2120	Red
23307101	Heater Clip	-	1440-2120	-

Cabinet Sheet Metal

Air Defrost Model	Electric Hot Gas Model	Drain Pan*	Side Panel	Left Back Panel (Refrig. conn)
520, 630	400, 450, 480, 550	40402003	40834901	40834701
750, 850	560, 640, 650, 740	40401803	40834901	40834701
930, 1100	710, 810, 840,950	40401403	40834901	40834701
1170, 1400	890, 1020, 1050, 1200	40402103	40868201	40868101
1610	1220, 1390	40402103	40846501	40846401
1900, 2160	1440, 1650	40410403	40858401	40858601
2200, 2500	-	40410703	40858201	40858501
2440, 2780	1860, 2120	40410703	40858401	40858601

* Includes provision to mount drain pan heater

Miscellaneous Components

Part #	Description
2891040	Room Thermostat
4267-W	Defrost Termination and Fan Delay Thermostat Adjustable Type
5893-Q	Defrost Termination Thermostat Adjustable Type
4752-C	Heater Limit Thermostat

* Includes provision to mount drain pan heater

NOTES: Contact factory for hot gas defrost components not listed

Drain Pan Deforst Heaters

Part Number	Description	Unit Voltage	Model	Wire Lead Color Code
24711301	Heater 230V 1050W	208-230V & 460V	400, 450, 480, 550	Black
24711302	Heater 230V 1350W	208-230V & 460V	560, 640, 650, 740	Black
24710305	Heater 230V 2000W	208-230V & 460V	710, 810, 840, 890, 950, 1020, 1050, 1200, 1220, 1390	Black
24710306	Heater 230V 2100W	208-230V & 460V	1440, 1650	Black
24712501	Heater 230V 3100W	208-230V & 460V	1860, 2120	Black
24703501	Heater 230V 250W	208-230V	1800, 2120	Black
24703513	Heater 460V 250W	460V	1860, 2120	Red
24711901	Heater 288V 1050W	575V	400, 450, 480, 550	Black, Red
24711902	Heater 288V 1350W	575V	560, 640, 650, 740	Black, Red
24711105	Heater 575V 2000W	575V	710, 810, 840, 890, 950, 1020, 1050, 1200, 1220, 1390	Black, Red
24711106	Heater 575V 2100W	575V	1440, 1650	Black, Red
24712502	Heater 288V 3100W	575V	1860, 2120	Red
24703519	Heater 575V 250W	575V	1860, 2120	Black, Red

Notes

Notes



2175 West Park Place Blvd. · Stone Mountain, GA 30087
Phone: 800.537.7775 · Fax: 770.465.5900
heatcrafterpd.com

BOHN

Since product improvement is a continuing effort, we reserve the right to make changes in specifications without notice.

BN-LUCTB-1118 | Version 001