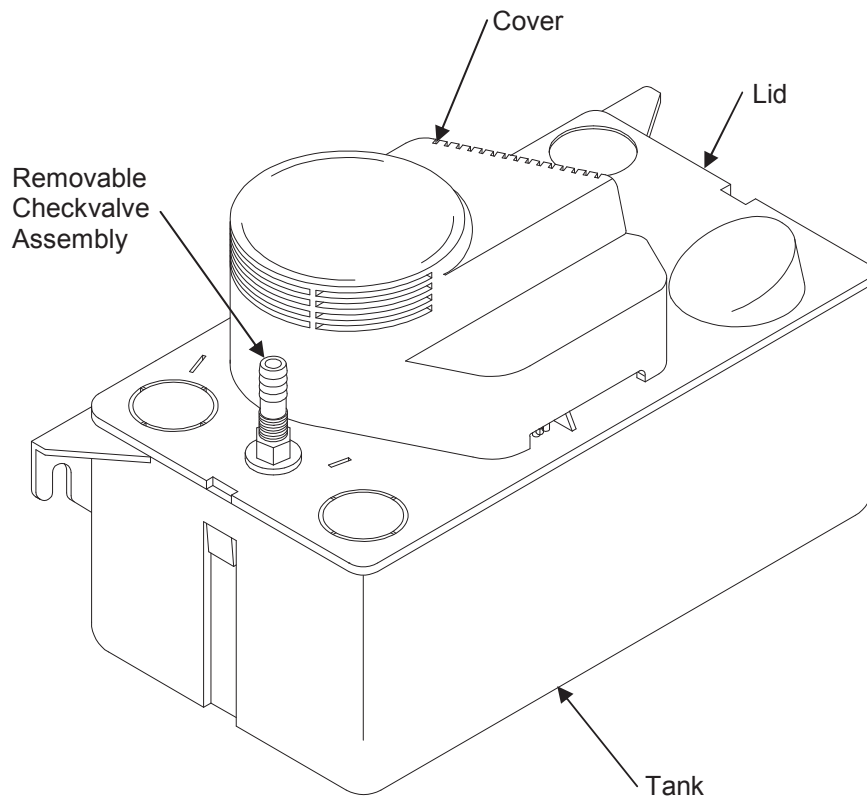


REMOVABLE CHECKVALVE INSTRUCTIONS MODEL: CB'S

CY8425 Rev. A



BECKETT CORPORATION

5931 Campus Circle Drive

Irving, Texas 75063-2606

www.888beckett.com

Phone: 972-871-8000

Toll Free: 1-888-BECKETT

Fax: 972-871-8888

© 2004 BECKETT CORPORATION All Rights Reserved

REMOVAL OF OLD CHECKVALVE:

- Remove Checkvalve by turning counterclockwise.
- Remove the O-Ring, Spring, Washer and Duckbill.

INSERTING NEW CHECKVALVE ASSEMBLY:

- Slide the Washer and the Spring onto the Duckbill.
- Drop this into the Checkvalve Cavity. Careful not to pinch the Duckbill!
- Slide the O-Ring onto the Checkvalve, leaving the Teflon Tape covering the treads in place.
- Install the Checkvalve by turning Clockwise into the Cavity until tight.

