

INSTALLATION INSTRUCTIONS

R-410A Single Package Air Conditioner

RAS036 – 072

These instructions must be read and understood completely before attempting installation.

Safety Labeling and Signal Words

DANGER, WARNING, CAUTION, and NOTE

The signal words **DANGER**, **WARNING**, **CAUTION**, and **NOTE** are used to identify levels of hazard seriousness. The signal word **DANGER** is only used on product labels to signify an immediate hazard. The signal words **WARNING**, **CAUTION**, and **NOTE** will be used on product labels and throughout this manual and other manuals that may apply to the product.

DANGER – Immediate hazards which **will** result in severe personal injury or death.

WARNING – Hazards or unsafe practices which **could** result in severe personal injury or death.

CAUTION – Hazards or unsafe practices which **may** result in minor personal injury or product or property damage.

NOTE – Used to highlight suggestions which **will** result in enhanced installation, reliability, or operation.

Signal Words in Manuals

The signal word **WARNING** is used throughout this manual in the following manner:



WARNING

The signal word **CAUTION** is used throughout this manual in the following manner:



CAUTION

Signal Words on Product Labeling

Signal words are used in combination with colors and/or pictures on product labels.



WARNING

ELECTRICAL SHOCK HAZARD

Failure to follow this warning could result in personal injury and/or death.

Before installing, modifying, or servicing system, main electrical disconnect switch must be in the OFF position. There may be more than 1 disconnect switch. Lock out and tag switch with a suitable warning label.



CAUTION

CUT HAZARD

Failure to follow this caution may result in personal injury

Sheet metal parts may have sharp edges or burrs. Use care and wear appropriate protective clothing and gloves when handling parts.



WARNING

PERSONAL INJURY AND ENVIRONMENTAL HAZARD

Failure to follow this warning could cause personal injury or death.

Relieve pressure and recover all refrigerant before system repair or final unit disposal.

Wear safety glasses and gloves when handling refrigerants. Keep torches and other ignitions sources away from refrigerants and oils.



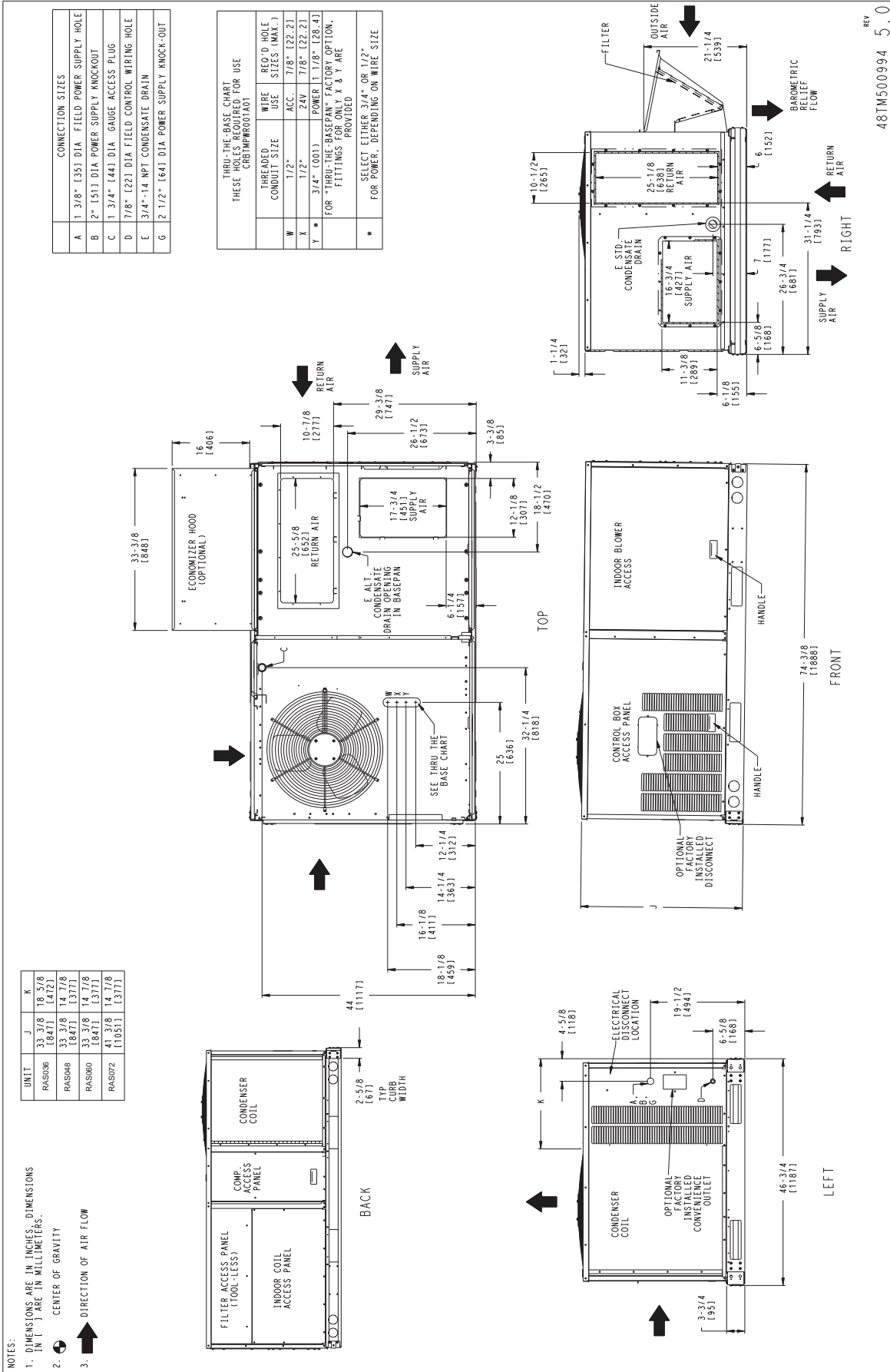
WARNING

UNIT OPERATION AND SAFETY HAZARD

Failure to follow this warning could cause personal injury, death and/or equipment damage.

R-410A refrigerant systems operate at higher pressures than standard R-22 systems. Do not use R-22 service equipment or components on R-410A refrigerant equipment.

FIGURE 1
Base Unit Dimensions:
RAS036-72



REV 48TM500994 5.0

IMPORTANT – READ BEFORE INSTALLING

1. Read and become familiar with these installation instructions before installing this unit.
2. Be sure the installation conforms to all applicable local and national codes.
3. These instructions contain important information for the proper maintenance and repair of this equipment. Retain these instructions for future use.

CONTENTS

SAFETY CONSIDERATIONS 3

INSTALLATION 3

 Step 1 – Plan for Unit Location 3

 Step 2 – Plan for Sequence of Unit Installation 4

 Step 3 – Inspect unit 4

 Step 4 – Provide Unit Support 5

 Step 5 – Field Fabricate Ductwork 7

 Step 6 – Rig and Place Unit 8

 Step 7 – Convert to Horizontal and Connect Ductwork . 8

 Step 8 – Install Optional Outside Air Hood 8

 Step 9 – Install External Condensate Trap & Piping .. 10

 Step 10 – Make Electrical Connections 10


 Step 11 – Adjust Factory–Installed Options 18

 Step 12 – Install Accessories 18

SAFETY CONSIDERATIONS

Improper installation, adjustment, alteration, service, maintenance, or use can cause explosion, fire, electrical shock or other conditions which may cause personal injury or property damage. Consult a qualified installer, service agency, or your distributor or branch for information or assistance. The qualified installer or agency must use factory–authorized kits or accessories when modifying this product. Refer to the individual instructions packaged with the kits or accessories when installing.


Follow all safety codes. Wear safety glasses and work gloves. Use quenching cloths for brazing operations and have a fire extinguisher available. Read these instructions thoroughly and follow all warnings or cautions attached to the unit. Consult local building codes and appropriate national electrical codes (in USA, ANSI/NFPA70, National Electrical Code (NEC); in Canada, CSA C22.1) for special requirements.

Recognize safety information. This is the safety–alert symbol  . When you see this symbol in instructions or manuals, be alert to the potential for personal injury.

Understand the signal words **DANGER**, **WARNING**, **CAUTION**, and **NOTE**. These words are used with the

safety–alert symbol. **DANGER** identifies the most serious hazards which **will** result in serious injury or death. **WARNING** signifies a hazard which **could** result in serious injury or death. **CAUTION** is used to identify unsafe practices which **may** result in minor personal injury or product and property damage. **NOTE** is used to highlight suggestions which **will** result in enhanced installation, reliability, or operation.


These instructions cover minimum requirements and conform to existing national standards and safety codes. In some instances, these instructions exceed certain local codes and ordinances, especially those that may not have kept up with changing residential construction practices. We require these instructions as a minimum for a safe installation.

 **WARNING**

ELECTRICAL SHOCK HAZARD

Failure to follow this warning could cause personal injury or death.

Before performing service or maintenance operations on unit, always turn off main power switch to unit and install lockout tag. Unit may have more than one power switch.

 **WARNING**

UNIT OPERATION AND SAFETY HAZARD

Failure to follow this warning could cause personal injury, death and/or equipment damage.

R–410A refrigerant systems operate at higher pressures than standard R–22 systems. Do not use R–22 service equipment or components on R–410A refrigerant equipment.

INSTALLATION

Jobsite Survey

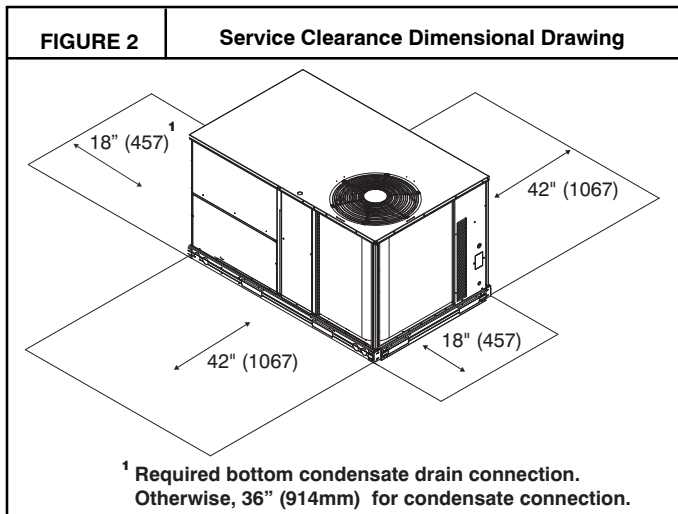
Complete the following checks before installation.

1. Consult local building codes and the NEC (National Electrical Code) ANSI/NFPA 70 for special installation requirements.
2. Determine unit location (from project plans) or select unit location.
3. Check for possible overhead obstructions which may interfere with unit lifting or rigging.

Step 1 — Plan for Unit Location

Select a location for the unit and its support system (curb or other) that provides for the minimum clearances required for safety. This includes the clearance to combustible surfaces, unit performance and service access below,

around and above unit as specified in unit drawings. See Fig. 2.



NOTE: Consider also the effect of adjacent units.

Unit may be installed directly on wood flooring or on Class A, B, or C roof-covering material when roof curb is used.

Do not install unit in an indoor location. Do not locate air inlets near exhaust vents or other sources of contaminated air.

Although unit is weatherproof, avoid locations that permit water from higher level runoff and overhangs to fall onto the unit.

Select a unit mounting system that provides adequate height to allow installation of condensate trap per requirements. Refer to Step 9 — Install External Trap for Condensate Drain — for required trap dimensions.

Roof mount —

Check building codes for weight distribution requirements. Unit operating weight is shown in Table 1.

Table 1—Operating Weights

Component	UNITS LB (KG)			
	RAS036	RAS048	RAS060	RAS072
Unit Size (Ton)	3	4	5	6
Base Unit	438 (199)	494 (224)	524 (238)	607 (275)
Economizer				
Vertical	50 (23)	50 (23)	50 (23)	50 (23)
Horizontal	80 (36)	80 (36)	80 (36)	80 (36)
Cu Fins	25 (11)	43 (20)	56 (25)	73 (33)
Curb				
14-in/356 mm	110 (50)	110 (50)	110 (50)	110 (50)
24-in/610 mm	145 (66)	145 (66)	145 (66)	145 (66)

Step 2 — Plan for Sequence of Unit Installation

The support method used for this unit will dictate different sequences for the steps of unit installation. For example, on curb-mounted units, some accessories must be installed on the unit before the unit is placed on the curb. Review the following for recommended sequences for installation steps.

Curb-mounted installation —

- Install roof curb
- Install field-fabricated ductwork inside curb
- Install accessory thru-base service connection package, if used (affects curb and unit) (refer to accessory installation instructions for details)
- Prepare condensate drain connection to suit planned condensate line routing (refer to Step 11 for details)
- Rig and place unit
- Install outdoor air hood
- Install condensate line trap and piping
- Make electrical connections
- Install other accessories

Pad-mounted installation —

- Prepare pad and unit supports

Check and tighten the bottom condensate drain connection plug

Rig and place unit

Convert unit to side duct connection arrangement

Install field-fabricated ductwork at unit duct openings

Install outdoor air hood

Install condensate line trap and piping

Make electrical connections

Install other accessories

Frame-mounted installation —

Frame-mounted applications generally follow the sequence for a curb installation. Adapt as required to suit specific installation plan.

Step 3 — Inspect unit

Inspect unit for transportation damage. File any claim with transportation agency.

Confirm before installation of unit that voltage, amperage and circuit protection requirements listed on unit data plate agree with power supply provided.

Step 4 — Provide Unit Support

Roof Curb Mount —

Accessory roof curb details and dimensions are shown in Fig. 3. Assemble and install accessory roof curb in accordance with instructions shipped with the curb.

Curb should be level. This is necessary for unit drain to function properly. Unit leveling tolerances are shown in Fig. 4. Refer to Accessory Roof Curb Installation Instructions for additional information as required.

Install insulation, cant strips, roofing felt, and counter flashing as shown. *Ductwork must be attached to curb and not to the unit. The accessory thru-the-base power connection package must be installed before the unit is set on the roof curb.* Power connections to the unit must be field installed after the unit is installed on the roof curb.

If electric and control wiring is to be routed through the basepan, attach the accessory thru-the-base service connections to the basepan in accordance with the accessory installation instructions.

NOTE:The gasketing of the unit to the roof curb is critical for a watertight seal. Install gasket supplied with the roof curb as shown in Fig. 3. Improperly applied gasket can also result in air leaks and poor unit performance.

Slab Mount (Horizontal Units Only) —

Provide a level concrete slab that extends a minimum of 6 in. (150 mm) beyond unit cabinet. Install a gravel apron in front of condenser coil air inlet to prevent grass and foliage from obstructing airflow.

NOTE:Horizontal units may be installed on a roof curb if required.

Alternate Unit Support (In Lieu of Curb or Slab Mount)

—


A non-combustible sleeper rail can be used in the unit curb support area. If sleeper rails cannot be used, support the long sides of the unit with a minimum of 3 equally spaced 4-in. x 4-in. (102 mm x 102 mm) pads on each side.

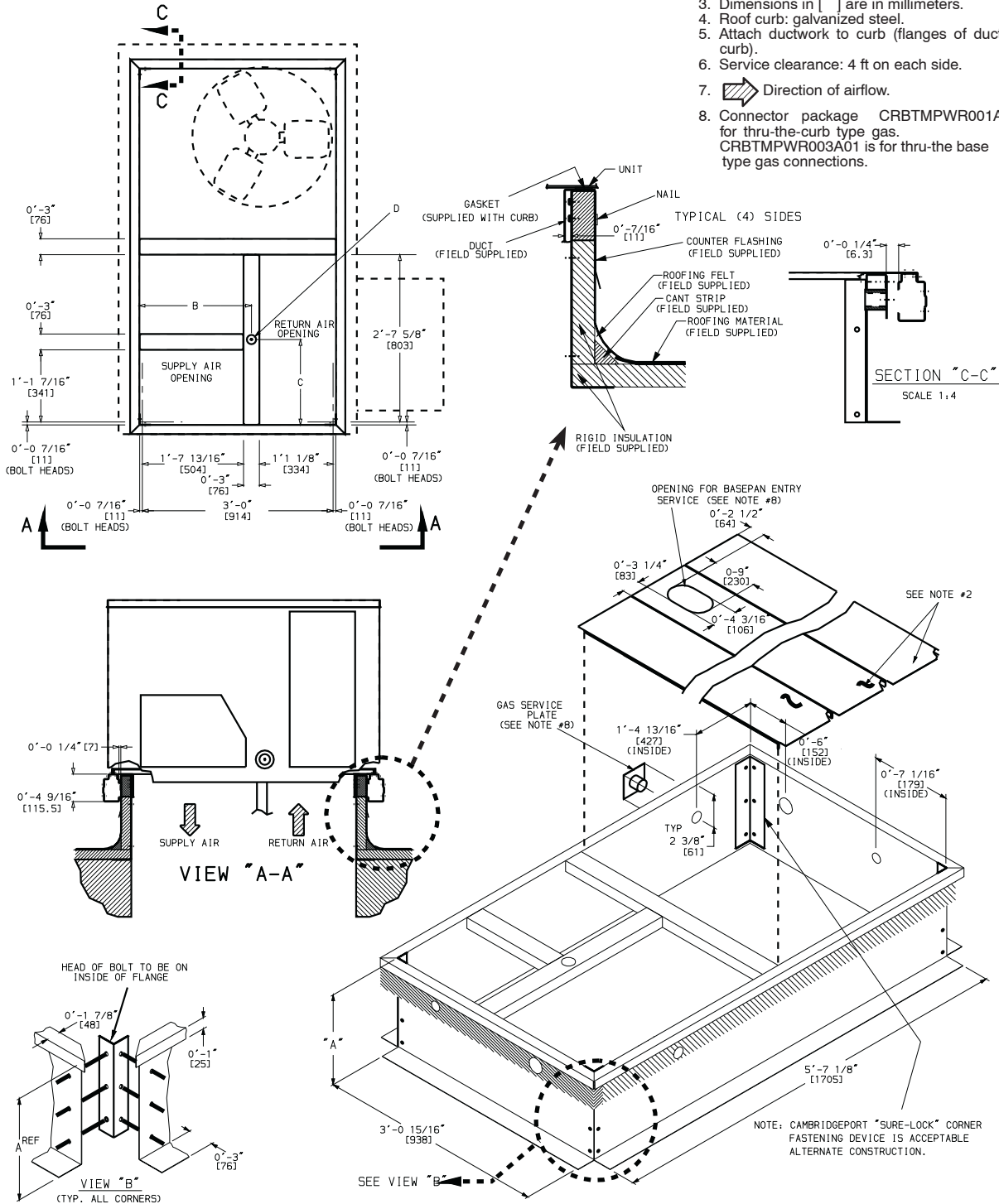
FIGURE 3

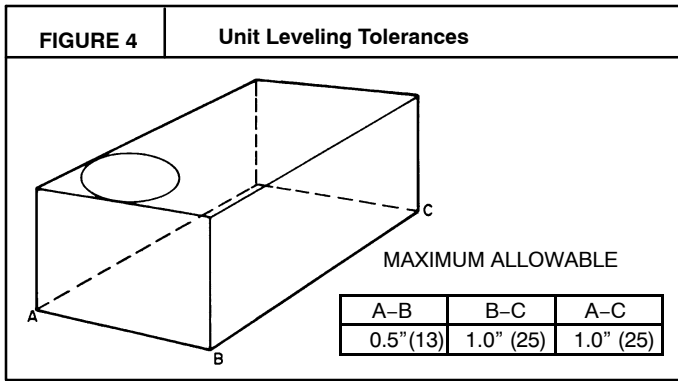
Roof Curb Details

CONNECTOR PKG. ACCY.	B	C	D ALT DRAIN HOLE	GAS	POWER	CONTROL	ACCESSORY POWER
CRBTMPWR001A01	1'-9 11/16" [551]	1'-4" [406]	1 3/4" [44.5]	3/4" [19] NPT	3/4" [19] NPT	1/2" [12.7] NPT	1/2" [12.7] NPT
CRBTMPWR003A01				1 1/2" [12.7] NPT	3/4" [19] NPT		

ROOF CURB ACCESSORY	A	UNIT SIZE
CRRFCURB001A01	1'-2" [356]	RAS036-072
CRRFCURB002A01	2'-0" [610]	

- NOTES:
1. Roof curb accessory is shipped disassembled.
 2. Insulated panels.
 3. Dimensions in [] are in millimeters.
 4. Roof curb: galvanized steel.
 5. Attach ductwork to curb (flanges of duct rest on curb).
 6. Service clearance: 4 ft on each side.
 7.  Direction of airflow.
 8. Connector package CRBTMPWR001A01 is for thru-the-curb type gas. CRBTMPWR003A01 is for thru-the-base type gas connections.





Step 5 — Field Fabricate Ductwork

Cabinet return-air static pressure (a negative condition) shall not exceed 0.35 in. wg (87 Pa) with economizer or 0.45 in. wg (112 Pa) without economizer.

For vertical ducted applications, secure all ducts to roof curb and building structure. *Do not connect ductwork to unit.*

Insulate and weatherproof all external ductwork, joints, and roof openings with counter flashing and mastic in accordance with applicable codes.

Ducts passing through unconditioned spaces must be insulated and covered with a vapor barrier.

If a plenum return is used on a vertical unit, the return should be ducted through the roof deck to comply with applicable fire codes.

A minimum clearance is not required around ductwork.

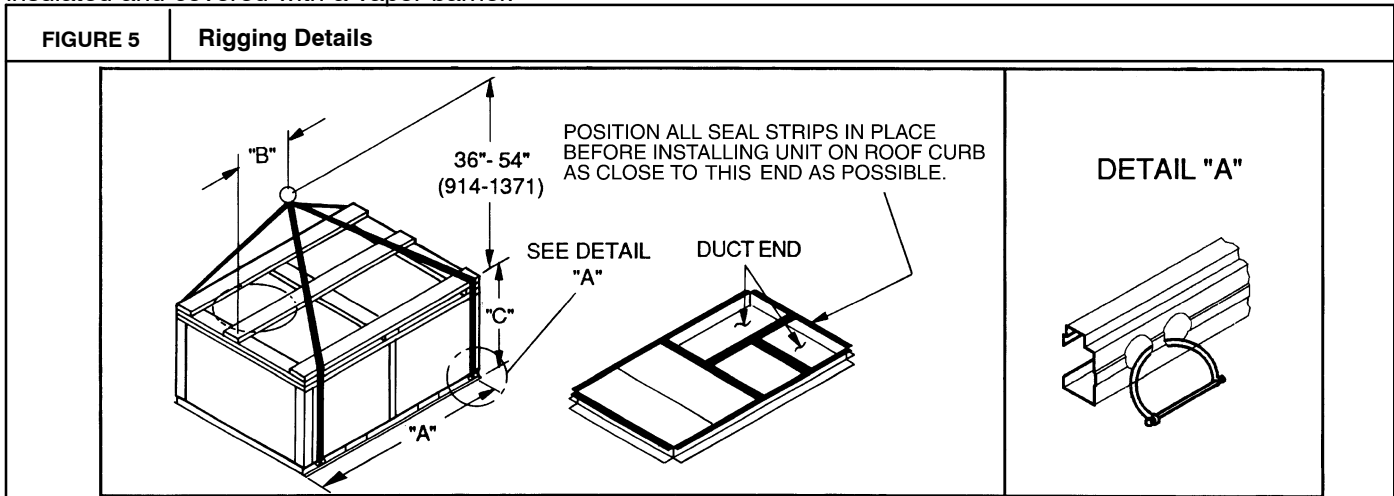
Step 6 — Rig and Place Unit

Keep unit upright and do not drop. Spreader bars are not required if top crating is left on unit. Rollers may be used to move unit across a roof. Level by using unit frame as a reference. See Table 1 and Fig. 5 for additional information.

Lifting holes are provided in base rails as shown in Fig. 5. Refer to rigging instructions on unit.

⚠ CAUTION
UNIT DAMAGE HAZARD
Failure to follow this caution may result in equipment damage.
All panels must be in place when rigging. Unit is not designed for handling by fork truck.

Before setting the unit onto the curb, recheck gasketing on curb.



NOTES:

- Dimensions in () are in millimeters.
- Hook rigging shackles through holes in base rail, as shown in detail "A." Holes in base rails are centered around the unit center of gravity. Use wooden top skid when rigging to prevent rigging straps from damaging unit.

- Unit weights do not include economizer. See Table 1 for economizer weights.

UNIT	MAX WEIGHT		DIMENSIONS					
			A		B		C	
	LB	KG	IN	MM	IN	MM	IN	MM
RAS036	438	199	74.38	1888	38	965	33.38	848
RAS048	494	224	74.38	1888	38	965	33.38	848
RAS060	524	238	74.38	1888	38	965	33.38	848
RAS072	607	275	74.38	1888	38	965	41.38	1051

Positioning on Curb —

Position unit on roof curb so that the following clearances are maintained: 1/4 in. (6.4 mm) clearance between the roof curb and the base rail inside the front and rear, 0.0 in. clearance between the roof curb and the base rail inside on the duct end of the unit. This will result in the distance between the roof curb and the base rail inside on the condenser end of the unit being approximately equal to Fig. 3, section C-C.

Although unit is weatherproof, guard against water from higher level runoff and overhangs.

⚠ CAUTION

UNIT DAMAGE HAZARD

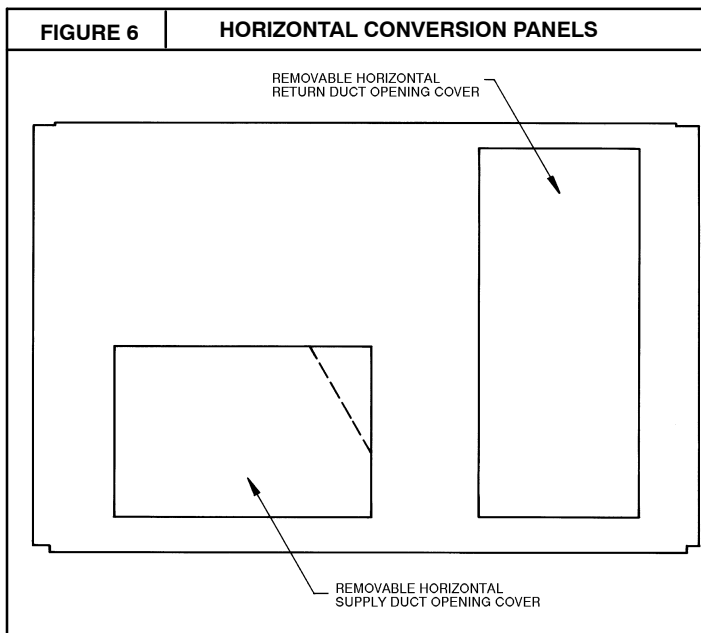
Failure to follow this caution may result in equipment damage.

All panels must be in place when rigging. Unit is not designed for handling by fork truck.

After unit is in position, remove rigging skids and shipping materials.

Step 7 — Convert to Horizontal and Connect Ductwork (when required)

Unit is shipped in the vertical duct configuration. Unit *without* factory-installed economizer or return air smoke detector option may be field-converted to horizontal ducted configuration. To convert to horizontal configuration, remove screws from side duct opening covers and remove covers. Using the same screws, install covers on vertical duct openings with the insulation-side down. Seals around duct openings must be tight. See Fig. 6.



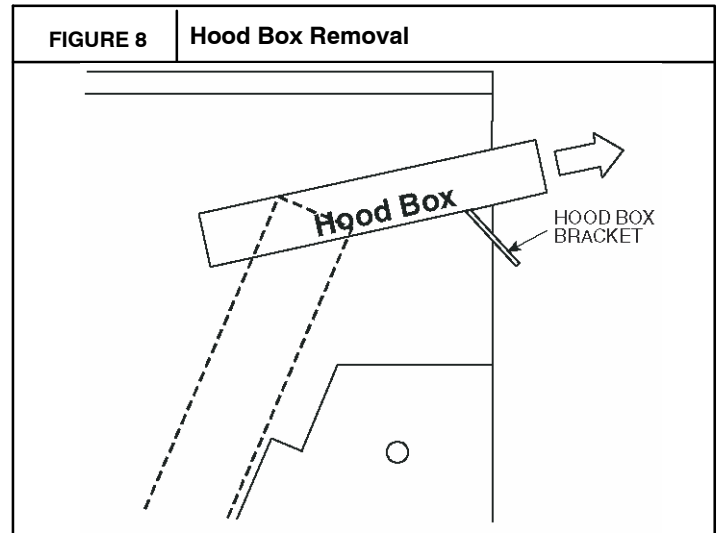
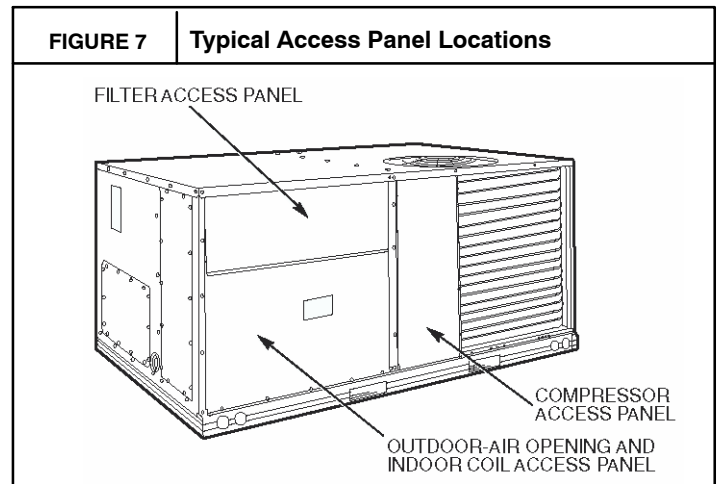
Field-supplied flanges should be attached to horizontal duct openings and all ductwork should be secured to the flanges. Insulate and weatherproof all external ductwork, joints, and roof or building openings with counter flashing and mastic in accordance with applicable codes.

Do not cover or obscure visibility to the unit's informative data plate when insulating horizontal ductwork.

Step 8 — Install Optional Outside Air Hood

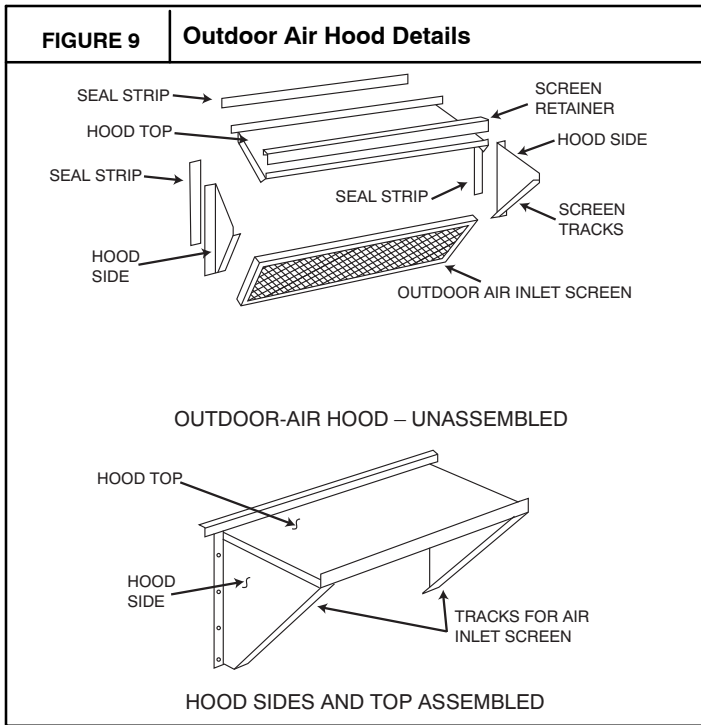
The optional outdoor hood components are shipped in a box located in the unit return air compartment behind the outdoor-air opening access panel (or economizer). Access is through the filter access panel. See Fig. 7.

1. To remove the existing unit filter access panel, raise the panel and swing the bottom outward. The panel is now disengaged from the track and can be removed.
2. To remove the component box from its shipping position, remove the screw holding the hood box bracket to the top of the economizer. Slide the hood box out of the unit. See Fig. 8.



Motorized 2-Position Damper Hood (Optional) —

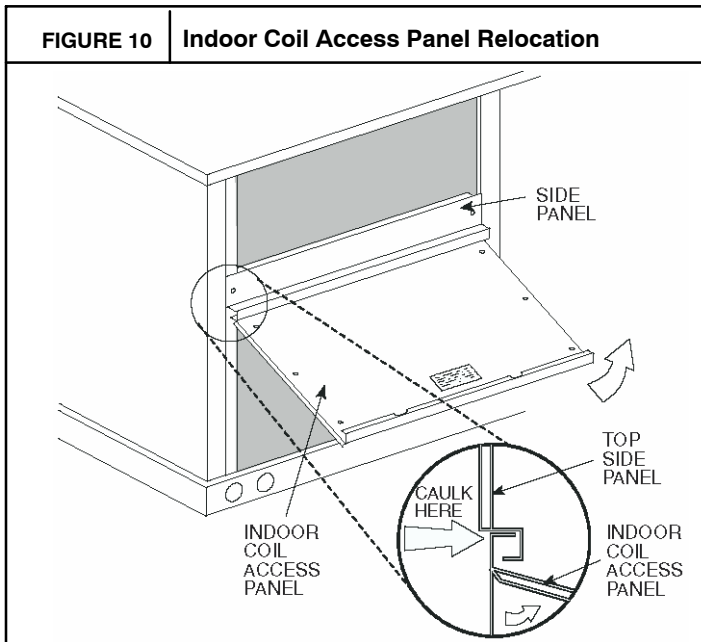
1. Assemble outdoor-air hood top and side plates as shown in Fig. 9. Install seal strips on hood top and sides. Put aside screen retainer and screws for later assembly.
2. Fasten hood top and side plate assembly to unit with screws provided. See Fig. 9.
3. Slide outdoor-air inlet screen into screen track on hood side plates. While holding screen) in place, fasten screen retainer to hood using screws provided.
4. Replace filter access panel. See Fig. 7.



Economizer Hood (Optional) —

NOTE: If the power exhaust accessory is to be installed on the unit, the hood shipped with the unit will not be used and must be discarded. Save the aluminum filter for use in the power exhaust hood assembly.

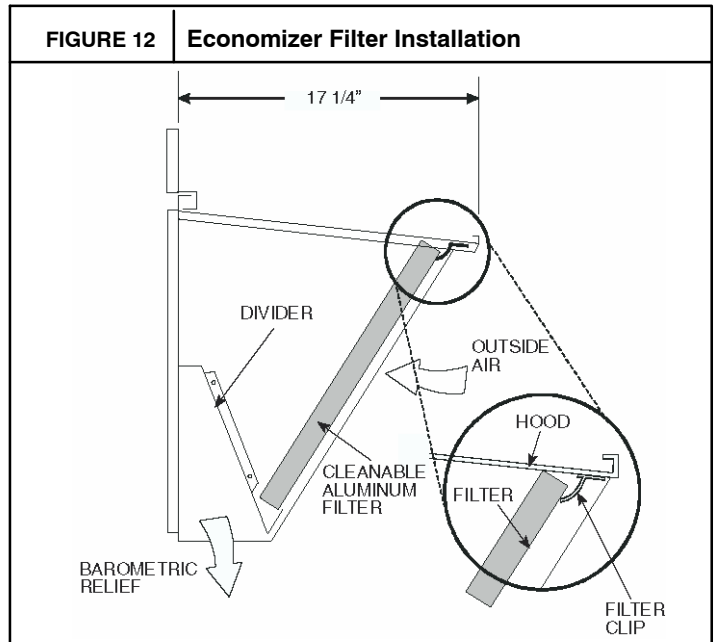
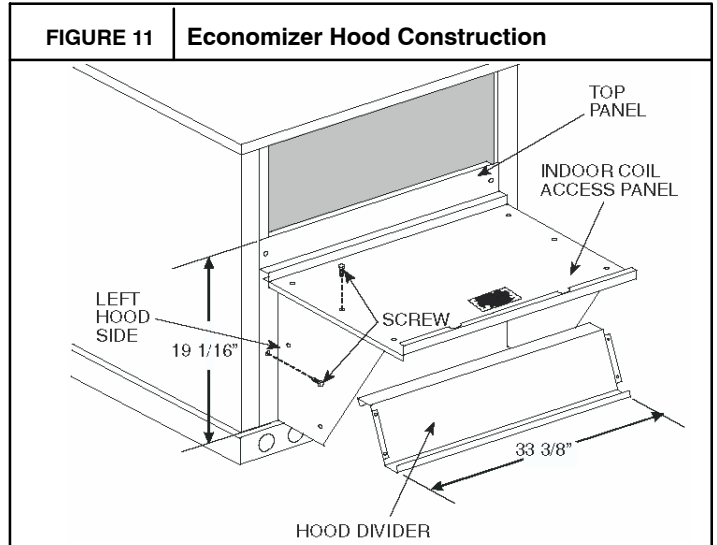
1. The indoor coil access panel will be used as the top of the hood. Remove the screws along the sides and bottom of the indoor coil access panel. See Fig. 10.



2. Swing out indoor coil access panel and insert the hood sides under the panel (hood top). Use the screws provided to attach the hood sides to the hood top. Use screws provided to attach the hood sides to the unit. See Fig. 11.
3. Remove the shipping tape holding the economizer barometric relief damper in place.

4. Insert the hood divider between the hood sides. See Fig. 11 and 12. Secure hood divider with 2 screws on each hood side. The hood divider is also used as the bottom filter rack for the aluminum filter.

5. Open the filter clips which are located underneath the hood top. Insert the aluminum filter into the bottom filter rack (hood divider). Push the filter into position past the open filter clips. Close the filter clips to lock the filter into place. See Fig. 12.



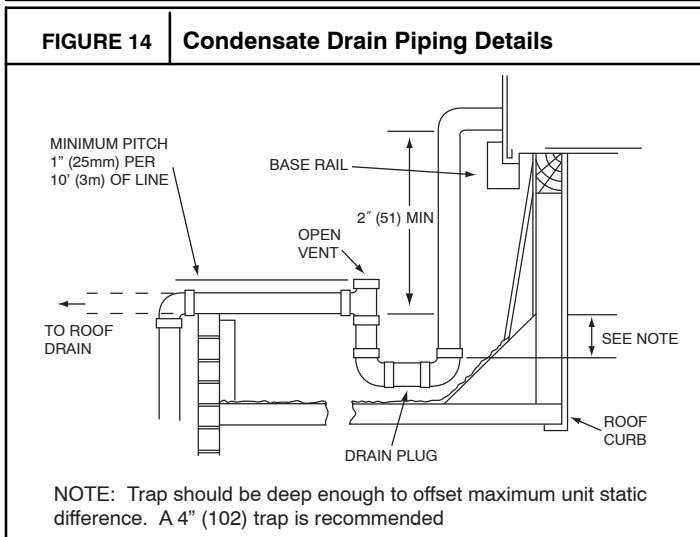
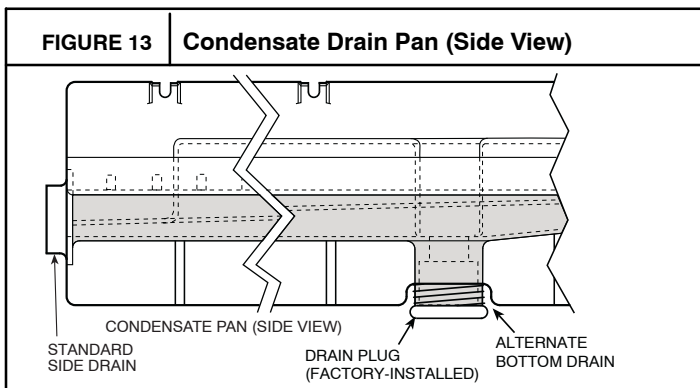
6. Caulk the ends of the joint between the unit top panel and the hood top.
7. Replace the filter access panel.

Step 9 — Install External Condensate Trap and Line

The unit has one $\frac{3}{4}$ -in. condensate drain connection on the end of the condensate pan and an alternate connection on the bottom. Unit airflow configuration does not determine which drain connection to use. Either drain connection can be used with vertical or horizontal applications.

When using the standard side drain connection, ensure the red plug in the alternate bottom connection is tight. Do this before setting the unit in place. The red drain pan can be tightened with a $\frac{1}{2}$ -in. square socket drive extension.

To use the bottom drain connection for a roof curb installation, relocate the factory-installed red plug from the bottom connection to the side connection. The center drain plug looks like a star connection, however it can be removed with a $\frac{1}{2}$ -in. square socket drive extension. See Fig. 12. The piping for the condensate drain and external trap can be completed after the unit is in place. See Fig. 13.



All units must have an external trap for condensate drainage. Install a trap at least 4-in. (102 mm) deep and protect against freeze-up. If drain line is installed downstream from the external trap, pitch the line away from the unit at 1-in. per 10 ft (25 mm in 3 m) of run. Do not use a pipe size smaller than the unit connection ($\frac{3}{4}$ -in.).

Step 10 — Make Electrical Connections

⚠ WARNING

ELECTRICAL SHOCK HAZARD

Failure to follow this warning could result in personal injury or death.

Do not use gas piping as an electrical ground. Unit cabinet must have an uninterrupted, unbroken electrical ground to minimize the possibility of personal injury if an electrical fault should occur. This ground may consist of electrical wire connected to unit ground lug in control compartment, or conduit approved for electrical ground when installed in accordance with NEC (National Electrical Code); ANSI/NFPA 70, latest edition (in Canada, Canadian Electrical Code CSA [Canadian Standards Association] C22.1), and local electrical codes.

Field Power Supply —

All units except 208/230-v units are factory wired for the voltage shown on the nameplate. *If the 208/230-v unit is to be connected to a 208-v power supply, the control transformer must be rewired by moving the black wire with the $\frac{1}{4}$ -in. female spade connector from the 230-v connection and moving it to the 200-v $\frac{1}{4}$ -in. male terminal on the primary side of the transformer.* Refer to unit label diagram for additional information. Field power wires will be connected line-side pressure lugs on the power terminal block or at factory-installed option non-fused disconnect.

Field power wires are connected to the unit at line-side pressure lugs on compressor contactor C and indoor fan contactor IFC (see wiring diagram label for control box component arrangement) or at factory-installed option non-fused disconnect switch. Max wire size is #2 AWG (copper only).

NOTE:TEST LEADS – Unit may be equipped with short leads (pigtailed) on the field line connection points on contactor C or optional disconnect switch. These leads are for factory run-test purposes only; remove and discard before connecting field power wires to unit connection points. Make field power connections directly to line connection pressure lugs only.

Units Without Factory-Installed Disconnect —

When installing units, provide a disconnect switch per NEC (National Electrical Code) of adequate size. Disconnect sizing data is provided on the unit informative plate. Locate on unit cabinet or within sight of the unit per national or local codes. Do not cover unit informative plate if mounting the disconnect on the unit cabinet.

Units with Factory-Installed Disconnect —

The factory-installed option disconnect switch is located in a weatherproof enclosure located under the main control box. The manual switch handle is accessible through an opening in the access panel.

All units –

All field wiring must comply with NEC and all local codes. Size wire based on MCA (Minimum Circuit Amps) on the unit informative plate. See Fig. 15 for power wiring connections to the unit power terminal block and equipment ground. Maximum wire size is #2 ga AWG per pole.

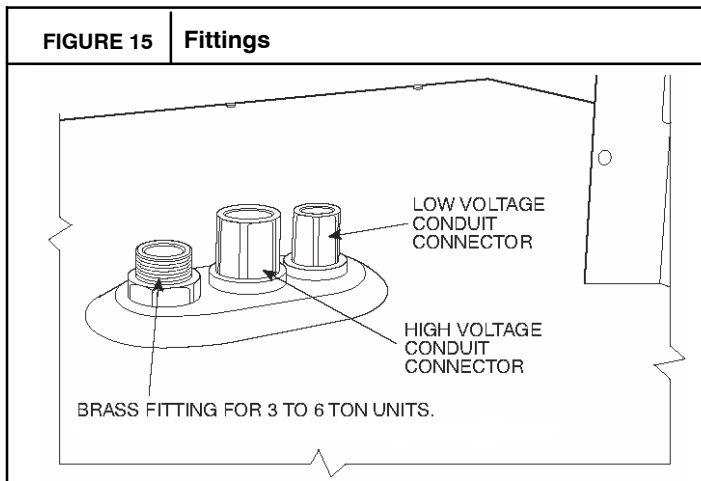
Provide a ground-fault and short-circuit over-current protection device (fuse or breaker) per NEC Article 440 (or local codes). Refer to unit informative data plate for MOCP (Maximum Over-current Protection) device size.

All field wiring must comply with the NEC and local requirements.

Optional Thru-Base Connections —

This accessory (field installed) service connection kit consists of a 1/2-in NPT gas adapter fitting (brass), a 1/2-in electrical bulkhead connector and a 3/4-in electrical bulkhead connector, all installed in the embossed (raised) section of the unit basepan in the condenser section. The 3/4-in bulkhead connector enables the low-voltage control wires to pass through the basepan. The 1/2-in electrical bulkhead connector allows the high-voltage power wires to pass through the basepan. See Fig. 15.

Note: this must be installed prior to mounting unit on roof curb.



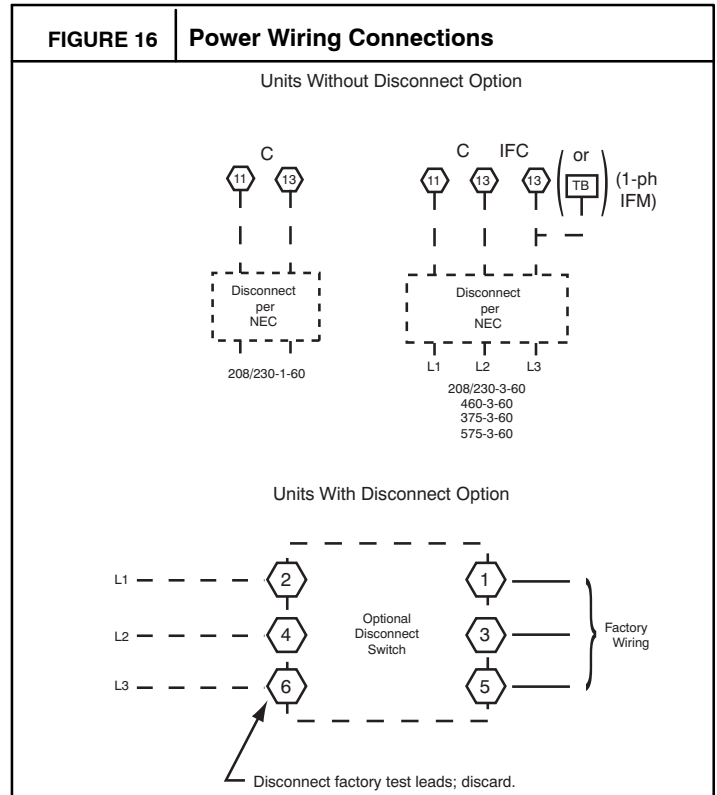
Check tightness of connector lock nuts before connecting electrical conduits.

Field-supplied and field-installed liquid tight conduit connectors and conduit may be attached to the connectors on the basepan. Pull correctly rated high voltage and low voltage through appropriate conduits. Connect the power conduit to the internal disconnect (if unit is so equipped) or to the external disconnect (through unit side panel). A hole must be field cut in the main control box bottom on the left side so the 24-v control connections can be made. Connect the control power conduit to the unit control box at this hole.

Install field wiring as follows:

Units without Thru-Base Connections —

1. Install power wiring conduit through side panel openings. Install conduit between disconnect and control box.
2. Install power lines to terminal connections as shown in Fig. 16.



Voltage to compressor terminals during operation must be within voltage range indicated on unit nameplate. See Table 2. On 3-phase units, voltages between phases must be balanced within 2% and the current within 10%. Use the formula shown in the legend for Table 2, Note 2 to determine the percent of voltage imbalance. Operation on improper line voltage or excessive phase imbalance constitutes abuse and may cause damage to electrical components. Such operation would invalidate any applicable ICP warranty.

Field Control Wiring —

The RAS unit requires an external temperature control device. This device typically applied with a commercial thermostat (field-supplied) with both occupied and unoccupied setpoints at a minimum.

Thermostat —

Install an approved accessory commercial thermostat according to installation instructions included with the accessory. For complete economizer function, select a two-stage cooling thermostat. Locate the thermostat accessory on a solid wall in the conditioned space to sense average temperature in accordance with the thermostat installation instructions.

If the thermostat contains a logic circuit requiring 24-v power, use a thermostat cable or equivalent single leads of

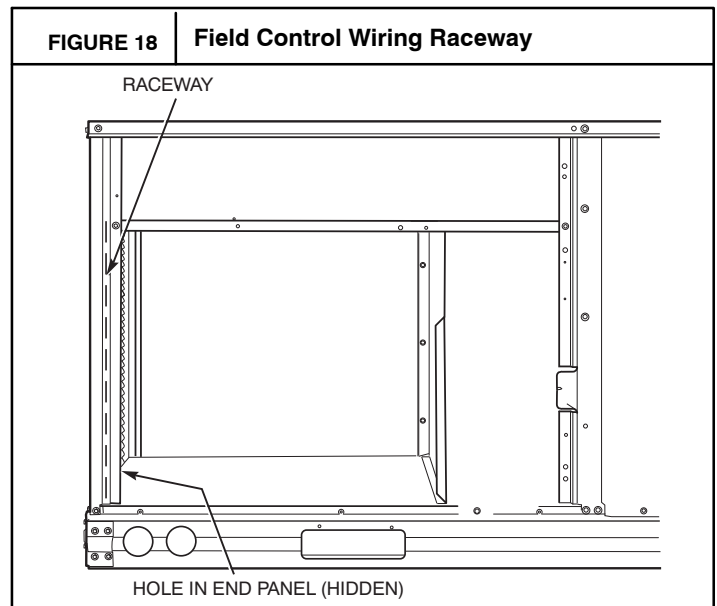
different colors with minimum of seven leads. If the thermostat does not require a 24-v source (no “C” connection required), use a thermostat cable or equivalent with minimum of six leads. Check the thermostat installation instructions for additional features which might require additional conductors in the cable.

For wire runs up to 50 ft. (15 m), use no. 18 AWG (American Wire Gage) insulated wire (35°C minimum). For 50 to 75 ft. (15 to 23 m), use no. 16 AWG insulated wire (35°C minimum). For over 75 ft. (23 m), use no. 14 AWG insulated wire (35°C minimum). All wire sizes larger than no. 18 AWG cannot be directly connected to the thermostat and will require a junction box and splice at the thermostat.

Unit without thru-base connection kit —

Pass the thermostat control wires through the hole provided in the corner post; then feed the wires through the raceway built into the corner post to the control box. Pull the wires over to the terminal strip on the upper-left corner of the Controls Connection Board. See Fig. 18.

NOTE: If thru-the-bottom connections accessory is used, refer to the accessory installation instructions for information on routing power and control wiring.



Heat Anticipator Settings —

Set heat anticipator settings at 0.14 amp for the first stage and 0.14 amp for second-stage heating, when available.

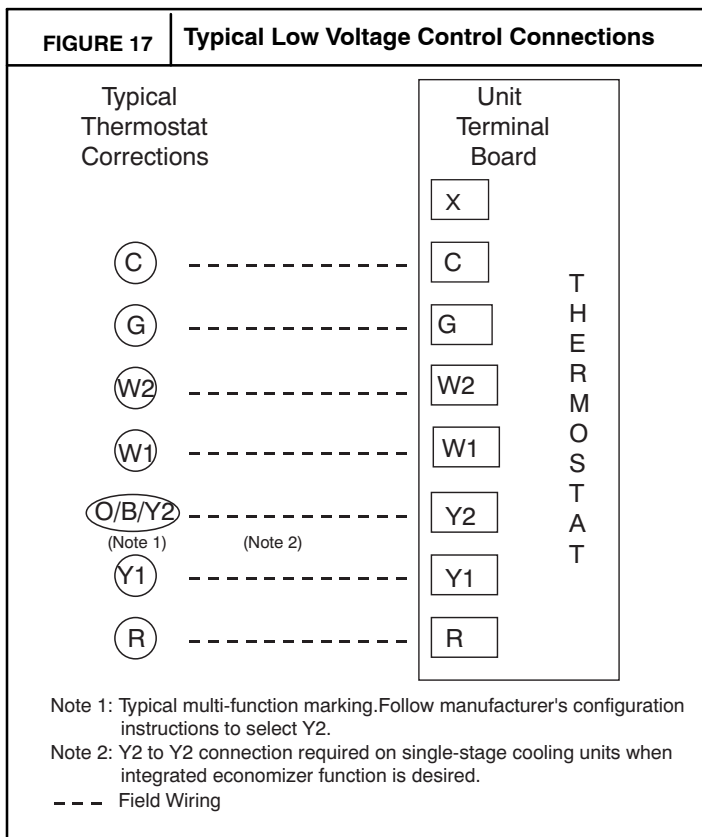


Table 2 – Unit Wire/Fuse or HACR Breaker Sizing Data

UNIT	NO M. V. – Ph – HZ	IFM TYPE	ELEC. HTR			NO C.O. or UNPWR C.O.							
			CRHEATER***A00	Nom (kW)	FLA	NO P.E.				w/ P.E. (pwrd fr/unit)			
						MCA	MAX FUSE or HACR BRKR	DISC. SIZE		MCA	MAX FUSE or HACR BRKR	DISC. SIZE	
								FLA	LRA			FLA	LRA
RAS036	208/230-1-60	STD	NONE	–	–	28	40	26	95	30	45	29	97
			101A	3.3/4.4	15.9/18.3	28/29	40/40	26/27	95/95	30/32	45/45	29/29	97/97
			102A	4.9/6.5	23.5/27.1	36/40	40/45	33/37	95/95	38/43	45/45	35/39	97/97
			103B	6.5/8.7	31.4/36.3	46/52	50/60	42/47	95/95	48/54	50/60	44/50	97/97
			104B	7.9/10.5	37.9/43.8	54/61	60/70	49/56	95/95	56/64	60/70	51/58	97/97
			102A+102A	9.8/13.0	46.9/54.2	65/74	70/80	60/68	95/95	68/77	70/80	62/70	97/97
		MED	NONE	–	–	28	40	26	95	30	45	29	97
			101A	3.3/4.4	15.9/18.3	28/29	40/40	26/27	95/95	30/32	45/45	29/29	97/97
			102A	4.9/6.5	23.5/27.1	36/40	40/45	33/37	95/95	38/43	45/45	35/39	97/97
			103B	6.5/8.7	31.4/36.3	46/52	50/60	42/47	95/95	48/54	50/60	44/50	97/97
	104B		7.9/10.5	37.9/43.8	54/61	60/70	49/56	95/95	56/64	60/70	51/58	97/97	
	102A+102A		9.8/13.0	46.9/54.2	65/74	70/80	60/68	95/95	68/77	70/80	62/70	97/97	
	208/230-3-60	STD	NONE	–	–	20	30	20	96	22	30	22	98
			101A	3.3/4.4	9.2/10.6	20/20	30/30	20/20	96/96	22/23	30/30	22/22	98/98
			102A	4.9/6.5	13.6/15.6	24/26	30/30	22/24	96/96	26/29	30/30	24/26	98/98
			103B	6.5/8.7	18.1/20.9	30/33	30/35	27/30	96/96	32/35	35/40	29/32	98/98
			104B	7.9/10.5	21.9/25.3	34/39	35/40	31/35	96/96	37/41	40/45	33/37	98/98
			105A	12.0/16.0	33.4/38.5	49/55	50/60	44/50	96/96	51/57	60/60	47/52	98/98
		MED	NONE	–	–	20	30	20	96	22	30	22	98
			101A	3.3/4.4	9.2/10.6	20/20	30/30	20/20	96/96	22/23	30/30	22/22	98/98
			102A	4.9/6.5	13.6/15.6	24/26	30/30	22/24	96/96	26/29	30/30	24/26	98/98
			103B	6.5/8.7	18.1/20.9	30/33	30/35	27/30	96/96	32/35	35/40	29/32	98/98
	104B		7.9/10.5	21.9/25.3	34/39	35/40	31/35	96/96	37/41	40/45	33/37	98/98	
	105A		12.0/16.0	33.4/38.5	49/55	50/60	44/50	96/96	51/57	60/60	47/52	98/98	
	HIGH	NONE	–	–	22/22	30/30	22/21	134	24/24	30/30	24/24	136	
		101A	3.3/4.4	9.2/10.6	22/22	30/30	22/21	134/134	24/24	30/30	24/24	136/136	
		102A	4.9/6.5	13.6/15.6	26/28	30/30	24/26	134/134	28/31	30/35	26/28	136/136	
		103B	6.5/8.7	18.1/20.9	32/35	35/35	29/32	134/134	34/37	35/40	31/34	136/136	
		104B	7.9/10.5	21.9/25.3	36/40	40/40	33/37	134/134	39/43	40/45	35/39	136/136	
		105A	12.0/16.0	33.4/38.5	51/57	60/60	46/52	134/134	53/59	60/60	49/54	136/136	
460-3-60	STD	NONE	–	–	11	15	11	49	12	15	12	50	
		106A	6.0	7.2	13	15	11	49	14	15	12	50	
		107A	8.8	10.6	17	20	15	49	18	20	16	50	
		108A	11.5	13.8	21	25	19	49	22	25	20	50	
		109A	14.0	16.8	25	25	22	49	26	30	23	50	
		NONE	–	–	11	15	11	49	12	15	12	50	
	MED	106A	6.0	7.2	13	15	11	49	14	15	12	50	
		107A	8.8	10.6	17	20	15	49	18	20	16	50	
		108A	11.5	13.8	21	25	19	49	22	25	20	50	
		109A	14.0	16.8	25	25	22	49	26	30	23	50	
		NONE	–	–	12	15	12	68	13	15	13	69	
		106A	6.0	7.2	14	15	12	68	15	15	13	69	
	HIGH	107A	8.8	10.6	18	20	16	68	19	20	17	69	
		108A	11.5	13.8	22	25	20	68	23	25	21	69	
		109A	14.0	16.8	26	30	23	68	27	30	24	69	
STD		NONE	–	–	8	15	8	46	10	15	10	48	
MED		NONE	–	–	8	15	8	46	10	15	10	48	
HIGH		NONE	–	–	8	15	7	50	10	15	10	52	

See legend following tables.

Table 2 – Unit Wire/Fuse or HACR Breaker Sizing Data (cont)

UNIT	NO M. V - Ph - HZ	IFM TYPE	ELEC. HTR			NO C.O. or UNPWR C.O.							
			CRHEATER***A00	Nom (kW)	FLA	NO PE.				w/ PE. (pwrd fr/unit)			
						MCA	MAX FUSE or HACR BRKR	DISC. SIZE		MCA	MAX FUSE or HACR BRKR	DISC. SIZE	
								FLA	LRA			FLA	LRA
RAS04B	208/230-1-60	STD	NONE	-	-	34	50	32	133	36	50	35	135
			101A	3.3/4.4	15.9/18.3	34/34	50/50	32/32	133/133	36/36	50/50	35/35	135/135
			103B	6.5/8.7	31.4/36.3	46/52	50/60	42/47	133/133	48/54	50/60	44/50	135/135
			102A+102A	9.8/13.0	46.9/54.2	65/74	70/80	60/68	133/133	68/77	70/80	62/70	135/135
			103B+103B	13.1/17.4	62.8/72.5	85/97	90/100	78/89	133/133	87/100	90/100	80/91	135/135
		104B+104B	15.8/21.0	75.8/87.5	101/116	110/125	93/106	133/133	104/118	110/125	95/108	135/135	
		MED	NONE	-	-	34	50	32	133	36	50	35	135
			101A	3.3/4.4	15.9/18.3	34/34	50/50	32/32	133/133	36/36	50/50	35/35	135/135
			103B	6.5/8.7	31.4/36.3	46/52	50/60	42/47	133/133	48/54	50/60	44/50	135/135
			102A+102A	9.8/13.0	46.9/54.2	65/74	70/80	60/68	133/133	68/77	70/80	62/70	135/135
	103B+103B		13.1/17.4	62.8/72.5	85/97	90/100	78/89	133/133	87/100	90/100	80/91	135/135	
	208/230-3-60	STD	NONE	-	-	24	30	23	106	26	30	26	108
			102A	4.9/6.5	13.6/15.6	24/26	30/30	23/24	106/106	26/29	30/30	26/26	108/108
			103B	6.5/8.7	18.1/20.9	30/33	30/35	27/30	106/106	32/35	35/40	29/32	108/108
			105A	12.0/16.0	33.4/38.5	49/55	50/60	44/50	106/106	51/57	60/60	47/52	108/108
			104B+104B	15.8/21.0	43.8/50.5	62/70	70/70	56/64	106/106	64/72	70/80	59/66	108/108
		MED	NONE	-	-	24	30	23	106	26	30	26	108
			102A	4.9/6.5	13.6/15.6	24/26	30/30	23/24	106/106	26/29	30/30	26/26	108/108
			103B	6.5/8.7	18.1/20.9	30/33	30/35	27/30	106/106	32/35	35/40	29/32	108/108
			105A	12.0/16.0	33.4/38.5	49/55	50/60	44/50	106/106	51/57	60/60	47/52	108/108
104B+104B			15.8/21.0	43.8/50.5	62/70	70/70	56/64	106/106	64/72	70/80	59/66	108/108	
HIGH	NONE	-	-	26/26	30/30	25/25	144	28/28	40/40	28/27	146		
	102A	4.9/6.5	13.6/15.6	26/28	30/30	25/26	144/144	28/31	40/40	28/28	146/146		
	103B	6.5/8.7	18.1/20.9	32/35	35/35	29/32	144/144	34/37	40/40	31/34	146/146		
	105A	12.0/16.0	33.4/38.5	51/57	60/60	46/52	144/144	53/59	60/60	49/54	146/146		
	104B+104B	15.8/21.0	43.8/50.5	64/72	70/80	58/66	144/144	66/74	70/80	60/68	146/146		
460-3-60	STD	NONE	-	-	12	15	11	52	13	15	12	53	
		106A	6.0	7.2	13	15	11	52	14	15	12	53	
		108A	11.5	13.8	21	25	19	52	22	25	20	53	
		109A	14.0	16.8	25	25	22	52	26	30	23	53	
		108A+108A	23.0	27.7	38	40	35	52	40	40	36	53	
	MED	NONE	-	-	12	15	11	52	13	15	12	53	
		106A	6.0	7.2	13	15	11	52	14	15	12	53	
		108A	11.5	13.8	21	25	19	52	22	25	20	53	
		109A	14.0	16.8	25	25	22	52	26	30	23	53	
		108A+108A	23.0	27.7	38	40	35	52	40	40	36	53	
	HIGH	NONE	-	-	12	15	12	71	13	15	13	72	
		106A	6.0	7.2	14	15	12	71	15	15	13	72	
		108A	11.5	13.8	22	25	20	71	23	25	21	72	
		109A	14.0	16.8	26	30	23	71	27	30	24	72	
		108A+108A	23.0	27.7	39	40	36	71	41	45	37	72	
575-3-60	STD	NONE	-	-	9	15	9	42	11	15	11	44	
	MED	NONE	-	-	9	15	9	42	11	15	11	44	
	HIGH	NONE	-	-	9	15	9	46	11	15	11	48	

See legend following tables.

Table 2 – Unit Wire/Fuse or HACR Breaker Sizing Data (cont)

UNIT	NO M. V. - Ph - HZ	IFM TYPE	ELEC. HTR			NO C.O. or UNPWR C.O.							
			CRHEATER***A00	Nom (kW)	FLA	NO PE.				w/ PE. (pwrd fr/unit)			
						MCA	MAX FUSE or HACR BRKR	DISC. SIZE		MCA	MAX FUSE or HACR BRKR	DISC. SIZE	
								FLA	LRA			FLA	LRA
RAS060	208/230-1-60	STD	NONE	-	-	40	60	37	150	42	60	40	152
			102A	4.9/6.5	23.5/27.1	40/40	60/60	37/37	150/150	42/43	60/60	40/40	152/152
			103B	6.5/8.7	31.4/36.3	46/52	60/60	42/47	150/150	48/54	60/60	44/50	152/152
			102A+102A	9.8/13.0	46.9/54.2	65/74	70/80	60/68	150/150	68/77	70/80	62/70	152/152
			103B+103B	13.1/17.4	62.8/72.5	85/97	90/100	78/89	150/150	87/100	90/100	80/91	152/152
			104B+104B	15.8/21.0	75.8/87.5	101/116	110/125	93/106	150/150	104/118	110/125	95/108	152/152
		MED	NONE	-	-	42	60	40	175	44	60	42	177
			102A	4.9/6.5	23.5/27.1	42/43	60/60	40/40	175/175	44/45	60/60	42/42	177/177
			103B	6.5/8.7	31.4/36.3	48/55	60/60	44/50	175/175	51/57	60/60	46/52	177/177
			102A+102A	9.8/13.0	46.9/54.2	68/77	70/80	62/70	175/175	70/79	70/80	64/73	177/177
	208/230-3-60	STD	NONE	-	-	27	40	26	133	29	40	28	135
			102A	4.9/6.5	13.6/15.6	27/27	40/40	26/26	133/133	29/29	40/40	28/28	135/135
			104B	7.9/10.5	21.9/25.3	34/39	40/40	31/35	133/133	37/41	40/45	33/37	135/135
			105A	12.0/16.0	33.4/38.5	49/55	50/60	44/50	133/133	51/57	60/60	47/52	135/135
			104B+104B	15.8/21.0	43.8/50.5	62/70	70/70	56/64	133/133	64/72	70/80	59/66	135/135
			104B+105A	19.9/26.5	55.2/63.8	76/87	80/90	69/79	133/133	78/89	80/90	72/82	135/135
	MED	NONE	-	-	28/28	40/40	28/27	171	30/30	45/45	30/30	173	
		102A	4.9/6.5	13.6/15.6	28/28	40/40	28/27	171/171	30/31	45/45	30/30	173/173	
		104B	7.9/10.5	21.9/25.3	36/40	40/40	33/37	171/171	39/43	45/45	35/39	173/173	
		105A	12.0/16.0	33.4/38.5	51/57	60/60	46/52	171/171	53/59	60/60	49/54	173/173	
		104B+104B	15.8/21.0	43.8/50.5	64/72	70/80	58/66	171/171	66/74	70/80	60/68	173/173	
		104B+105A	19.9/26.5	55.2/63.8	78/89	80/90	71/81	171/171	80/91	90/100	74/83	173/173	
	460-3-60	HIGH	NONE	-	-	30/30	45/40	29/29	186	32/32	45/45	32/31	188
			102A	4.9/6.5	13.6/15.6	30/30	45/40	29/29	186/186	32/33	45/45	32/31	188/188
104B			7.9/10.5	21.9/25.3	38/42	45/45	35/39	186/186	41/45	45/45	37/41	188/188	
105A			12.0/16.0	33.4/38.5	53/59	60/60	48/54	186/186	55/61	60/70	50/56	188/188	
104B+104B			15.8/21.0	43.8/50.5	66/74	70/80	60/68	186/186	68/76	70/80	62/70	188/188	
104B+105A			19.9/26.5	55.2/63.8	80/91	80/100	73/83	186/186	82/93	90/100	75/85	188/188	
STD		NONE	-	-	13	20	13	63	14	20	14	64	
		106A	6.0	7.2	13	20	13	63	14	20	14	64	
		108A	11.5	13.8	21	25	19	63	22	25	20	64	
		109A	14.0	16.8	25	25	22	63	26	30	23	64	
MED	108A+108A	23.0	27.7	38	40	35	63	40	40	36	64		
	108A+109A	25.5	30.7	42	45	38	63	43	45	39	64		
	NONE	-	-	14	20	14	82	15	20	15	83		
	106A	6.0	7.2	14	20	14	82	15	20	15	83		
	108A	11.5	13.8	22	25	20	82	23	25	21	83		
	109A	14.0	16.8	26	30	23	82	27	30	24	83		
HIGH	108A+108A	23.0	27.7	39	40	36	82	41	45	37	83		
	108A+109A	25.5	30.7	43	45	39	82	44	45	40	83		
	NONE	-	-	15	20	15	90	16	20	16	91		
	106A	6.0	7.2	15	20	15	90	16	20	16	91		
	108A	11.5	13.8	23	25	21	90	24	25	22	91		
	109A	14.0	16.8	27	30	24	90	28	30	25	91		
575-3-60	108A+108A	23.0	27.7	40	40	37	90	42	45	38	91		
	108A+109A	25.5	30.7	44	45	40	90	45	45	41	91		
	STD	NONE	-	-	11	15	10	48	13	15	12	50	
575-3-60	MED	NONE	-	-	10	15	10	52	12	15	12	54	
	HIGH	NONE	-	-	11	15	11	63	13	15	13	65	

See legend following tables.

Table 2 – Unit Wire/Fuse or HACR Breaker Sizing Data (cont)

UNIT	NO M. V – Ph – HZ	IFM TYPE	ELEC. HTR			NO C.O. or UNPWR C.O.							
			CRHEATER***A00	Nom (kW)	FLA	NO PE.				w/ PE. (pwrd fr/unit)			
						MCA	MAX FUSE or HACR BRKR	DISC. SIZE		MCA	MAX FUSE or HACR BRKR	DISC. SIZE	
								FLA	LRA			FLA	LRA
RAS072 – Units produced on or after 02/09/2015	208/230–3–60	STD	NONE	–	–	33/33	50/50	32/32	197	35/35	50/50	34/34	199
			102A	4.9/6.5	13.6/15.6	33/33	50/50	32/32	197/197	35/35	50/50	34/34	199/199
			104B	7.9/10.5	21.9/25.3	36/40	50/50	33/37	197/197	39/43	50/50	35/39	199/199
			105A	12.0/16.0	33.4/38.5	51/57	60/60	46/52	197/197	53/59	60/60	49/54	199/199
			104B+104B	15.8/21.0	43.8/50.5	64/72	70/80	58/66	197/197	66/74	70/80	60/68	199/199
			104B+105A	19.9/26.5	55.2/63.8	78/89	80/90	71/81	197/197	80/91	90/100	74/83	199/199
		MED	NONE	–	–	35/35	50/50	34/34	212	37/37	50/50	36/36	214
			102A	4.9/6.5	13.6/15.6	35/35	50/50	34/34	212/212	37/37	50/50	36/36	214/214
			104B	7.9/10.5	21.9/25.3	38/42	50/50	35/39	212/212	41/45	50/50	37/41	214/214
			105A	12.0/16.0	33.4/38.5	53/59	60/60	48/54	212/212	55/61	60/70	50/56	214/214
			104B+104B	15.8/21.0	43.8/50.5	66/74	70/80	60/68	212/212	68/76	70/80	62/70	214/214
			104B+105A	19.9/26.5	55.2/63.8	80/91	80/100	73/83	212/212	82/93	90/100	75/85	214/214
	HIGH	NONE	–	–	37	50	36	226	39	50	39	228	
		102A	4.9/6.5	13.6/15.6	37/37	50/50	36/36	226/226	39/39	50/50	39/39	228/228	
		104B	7.9/10.5	21.9/25.3	41/45	50/50	37/41	226/226	43/48	50/50	40/43	228/228	
		105A	12.0/16.0	33.4/38.5	55/62	60/70	51/56	226/226	58/64	60/70	53/59	228/228	
		104B+104B	15.8/21.0	43.8/50.5	68/77	70/80	63/70	226/226	71/79	80/80	65/72	228/228	
		104B+105A	19.9/26.5	55.2/63.8	83/93	90/100	76/86	226/226	85/96	90/100	78/88	228/228	
	460–3–60	STD	NONE	–	–	15	20	14	96	16	20	15	97
			106A	6.0	7.2	15	20	14	96	16	20	15	97
			108A	11.5	13.8	22	25	20	96	23	25	21	97
			109A	14.0	16.8	26	30	23	96	27	30	24	97
			108A+108A	23.0	27.7	39	40	36	96	41	45	37	97
			108A+109A	25.5	30.7	43	45	39	96	44	45	40	97
MED		NONE	–	–	16	20	15	104	17	20	16	105	
		106A	6.0	7.2	16	20	15	104	17	20	16	105	
		108A	11.5	13.8	23	25	21	104	24	25	22	105	
		109A	14.0	16.8	27	30	24	104	28	30	25	105	
		108A+108A	23.0	27.7	40	40	37	104	42	45	38	105	
		108A+109A	25.5	30.7	44	45	40	104	45	45	41	105	
HIGH	NONE	–	–	17	20	16	111	18	25	18	112		
	106A	6.0	7.2	17	20	16	111	18	25	18	112		
	108A	11.5	13.8	24	25	22	111	26	30	23	112		
	109A	14.0	16.8	28	30	25	111	29	30	27	112		
	108A+108A	23.0	27.7	42	45	38	111	43	45	39	112		
	108A+109A	25.5	30.7	45	50	41	111	47	50	43	112		
575–3–60	STD	NONE	–	–	11	15	11	68	13	15	13	70	
	MED	NONE	–	–	12	15	12	79	14	20	14	81	
	HIGH	NONE	–	–	12	15	12	79	14	20	14	81	

See legend following tables.

Table 2 – Unit Wire/Fuse or HACR Breaker Sizing Data (cont)

UNIT	NO M. V. - Ph - HZ	IFM TYPE	ELEC. HTR			NO C.O. or UNPWR C.O.							
			CRHEATER***A00	Nom (KW)	FLA	NO P.E.				w/ P.E. (pwrd fr/unit)			
						MCA	MAX FUSE or HACR BRKR	DISC. SIZE		MCA	MAX FUSE or HACR BRKR	DISC. SIZE	
								FLA	LRA			FLA	LRA
RAS072 – Units produced on or prior to 02/08/2015	208/230-3-60	STD	NONE	—	—	33/32	50/50	32/31	184	35/34	50/50	34/33	186
			102A	4.9/6.5	13.6/15.6	33/32	50/50	32/31	184/184	35/34	50/50	34/33	186/186
			104B	7.9/10.5	21.9/25.3	36/40	50/50	33/37	184/184	39/43	50/50	35/39	186/186
			105A	12.0/16.0	33.4/38.5	51/57	60/60	46/52	184/184	53/59	60/60	49/54	186/186
			104B+104B	15.8/21.0	43.8/50.5	64/72	70/80	58/66	184/184	66/74	70/80	60/68	186/186
		104B+105A	19.9/26.5	55.2/63.8	78/89	80/90	71/81	184/184	80/91	90/100	74/83	186/186	
		MED	NONE	—	—	34/34	50/50	33/33	199	36/36	50/50	35/35	201
			102A	4.9/6.5	13.6/15.6	34/34	50/50	33/33	199/199	36/36	50/50	35/35	201/201
			104B	7.9/10.5	21.9/25.3	38/42	50/50	35/39	199/199	41/45	50/50	37/41	201/201
			105A	12.0/16.0	33.4/38.5	53/59	60/60	48/54	199/199	55/61	60/70	50/56	201/201
			104B+104B	15.8/21.0	43.8/50.5	66/74	70/80	60/68	199/199	68/76	70/80	62/70	201/201
		104B+105A	19.9/26.5	55.2/63.8	80/91	80/100	73/83	199/199	82/93	90/100	75/85	201/201	
	HIGH	NONE	—	—	36	50	36	213	38	50	38	215	
		102A	4.9/6.5	13.6/15.6	36/36	50/50	36/36	213/213	38/38	50/50	38/38	215/215	
		104B	7.9/10.5	21.9/25.3	41/45	50/50	37/41	213/213	43/48	50/50	40/43	215/215	
		105A	12.0/16.0	33.4/38.5	55/62	60/70	51/56	213/213	58/64	60/70	53/59	215/215	
		104B+104B	15.8/21.0	43.8/50.5	68/77	70/80	63/70	213/213	71/79	80/80	65/72	215/215	
	104B+105A	19.9/26.5	55.2/63.8	83/93	90/100	76/86	213/213	85/96	90/100	78/88	215/215		
	460-3-60	STD	NONE	—	—	17	25	16	92	18	25	17	93
			106A	6.0	7.2	17	25	16	92	18	25	17	93
			108A	11.5	13.8	22	25	20	92	23	25	21	93
			109A	14.0	16.8	26	30	23	92	27	30	24	93
			108A+108A	23.0	27.7	39	40	36	92	41	45	37	93
			108A+109A	25.5	30.7	43	45	39	92	44	45	40	93
MED		NONE	—	—	18	25	17	100	19	25	18	101	
		106A	6.0	7.2	18	25	17	100	19	25	18	101	
		108A	11.5	13.8	23	25	21	100	24	25	22	101	
MED		109A	14.0	16.8	27	30	24	100	28	30	25	101	
		108A+108A	23.0	27.7	40	40	37	100	42	45	38	101	
		108A+109A	25.5	30.7	44	45	40	100	45	45	41	101	
HIGH	NONE	—	—	19	25	18	107	20	25	19	108		
	106A	6.0	7.2	19	25	18	107	20	25	19	108		
	108A	11.5	13.8	24	25	22	107	26	30	23	108		
	109A	14.0	16.8	28	30	25	107	29	30	27	108		
	108A+108A	23.0	27.7	42	45	38	107	43	45	39	108		
	108A+109A	25.5	30.7	45	50	41	107	47	50	43	108		
575-3-60	STD	NONE	—	—	12	15	12	63	14	20	14	65	
	MED	NONE	—	—	13	20	12	74	15	20	15	76	
	HIGH	NONE	—	—	13	20	12	74	15	20	15	76	

LEGEND:

- CO – Convenient outlet
- DISC – Disconnect
- FLA – Full load amps
- IFM – Indoor fan motor
- LRA – Locked rotor amps
- MCA – Minimum circuit amps
- MOCP – Maximum over current protection
- PE – Power exhaust
- UNPWRD CO – Unpowered convenient outlet



Example: Supply voltage is 230-3-60



AB = 224 v
BC = 231 v
AC = 226 v

$$\text{Average Voltage} = \frac{(224 + 231 + 226)}{3} = \frac{681}{3} = 227$$

Determine maximum deviation from average voltage.

(AB) 227 - 224 = 3 v Maximum deviation is 4 v.

(BC) 231 - 227 = 4 v Determine percent of voltage imbalance.

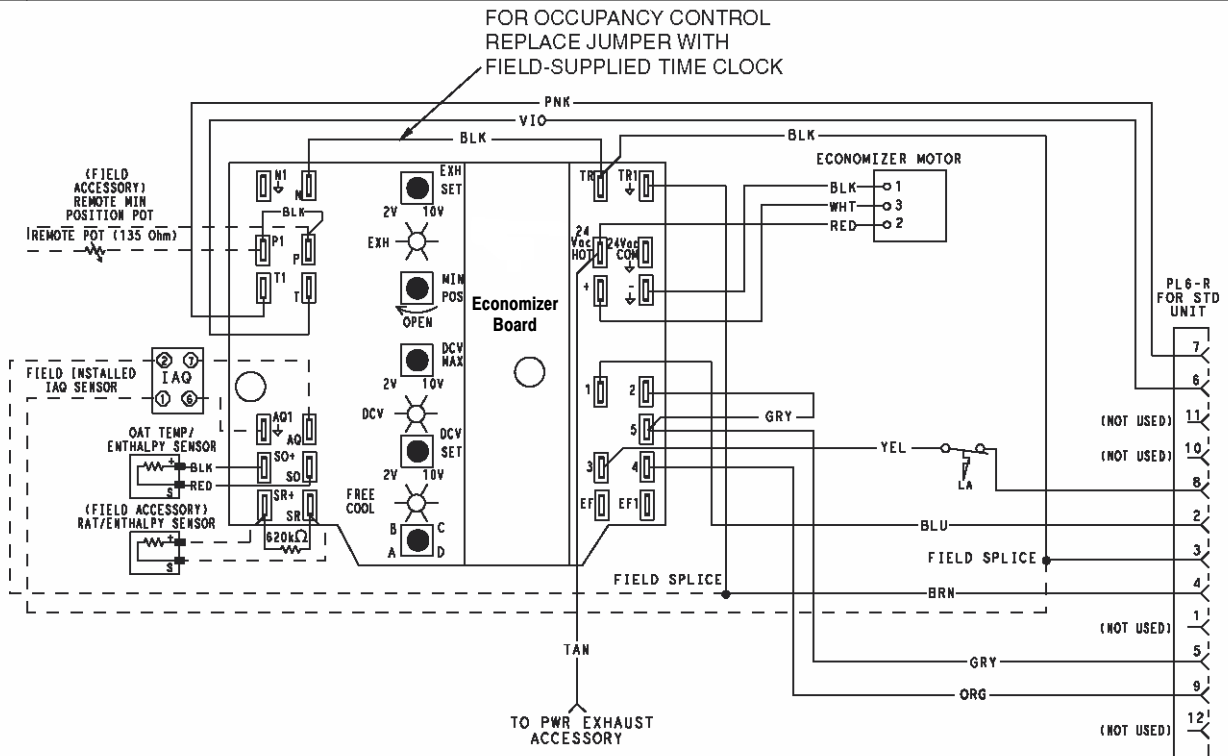
$$\% \text{ Voltage Imbalance} = 100 \times \frac{4}{227} = 1.76\%$$

This amount of phase imbalance is satisfactory as it is below the maximum allowable 2%.

IMPORTANT: If the supply voltage phase imbalance is more than 2%, contact your local electric utility company immediately.

$$\% \text{ Voltage Imbalance} = 100 \times \frac{\text{max voltage deviation from average voltage}}{\text{average voltage}}$$

FIGURE 19 Wiring for Optional Economizer



Step 11 — Adjust Factory-Installed Options

Smoke Detector —

Smoke detector will be connected at the Controls Connections Board, at terminals marked “Smoke Shutdown”. Remove jumper JMP 3 when ready to energize unit.

Economizer Occupancy Switch —

Refer to Fig. 19 for general EconoMi\$er IV wiring. External occupancy control is managed through a connection on the Controls Connections Board.

If external occupancy control is desired, connect a time clock or remotely controlled switch (closed for Occupied, open for Unoccupied sequence) at terminals marked OCCUPANCY. Remove or cut jumper JMP 2 to complete the installation.

Step 12 — Install Accessories as required

Available accessories include:

- Roof Curb
- Thru-base connection kit (must be installed before unit is set on curb)
- Manual outside air damper
- Two-Position motorized outside air damper
- Economizer (with control and integrated barometric relief)
- Winter Start Kit
- Power Exhaust
- Differential dry-bulb sensor
- Outdoor enthalpy sensor
- Differential enthalpy sensor
- CO2 sensor
- Low Ambient Control
- Louvered hail guard
- Hood-type hail guard
- UV-C lamp kit
- Phase monitor control

Refer to separate installation instructions for information on installing these accessories.

III. HOT GAS RE-HEAT START-UP

STEPS

- 1. CHECK CTB FOR JUMPER 5, 6, 7
JUMPER 5, 6, 7 MUST BE CUT AND OPEN
- 2. OPEN HUMIDISTAT CONTACTS
- 3. START UNIT IN COOLING (CLOSE Y1)

OBSERVE AND RECORD

- A. SUCTION PRESSURE _____ PSIG
- B. DISCHARGE PRESSURE _____ PSIG
- C. ENTERING AIR TEMPERATURE _____ °F
- D. LIQUID LINE TEMPERATURE
AT OUTLET OR REHEAT COIL _____ °F
- E. CONFIRM CORRECT ROTATION FOR COMPRESSOR

F. CHECK FOR CORRECT RAMP-UP OF OUTDOOR FAN MOTOR AS CONDENSER COIL WARMS

- 4. CHECK UNIT CHARGE PER CHARGING CHART
- 5. SWITCH UNIT TO HIGH-LATENT MODE (SUBCOOLER) BY CLOSING HUMIDISTAT WITH Y1 CLOSED

OBSERVE

- A. REDUCTION IN SUCTION PRESSURE (5 TO 7 PSI EXPECTED)
 - B. DISCHARGE PRESSURE UNCHANGED
 - C. LIQUID TEMPERATURE DROPS TO 50 TO 55°F RANGE
 - D. LSV SOLENOID ENERGIZED (VALVE CLOSES)
- 6. SWITCH UNIT TO DEHUMID (REHEAT) BY OPENING Y1

OBSERVE

- A. SUCTION PRESSURE INCREASES TO NORMAL COOLING LEVEL
 - B. DISCHARGE PRESSURE DECREASES (35 TO 50 PSI)
 - C. LIQUID TEMPERATURE RETURNS TO NORMAL COOLING LEVEL
 - D. LSV SOLENOID ENERGIZED (VALVE CLOSES)
 - E. DSV SOLENOID ENERGIZED, VALVE OPENS
- 7. WITH UNIT IN DEHUMID MODE CLOSE W1
COMPRESSOR AND OUTDOOR FAN STOP; LSV AND DSV SOLENOIDS DE-ENERGIZED
 - 8. OPEN W1 RESTORE UNIT TO DEHUMID MODE
 - 9. OPEN HUMIDISTAT INPUT
COMPRESSOR AND OUTDOOR FAN STOP; LSV AND DSV SOLENOIDS DE-ENERGIZED
 - 10. RESTORE SETPOINTS FOR THERMOSTAT AND HUMIDISTAT