



## AquaGuard® 4000 Series Water Sensor & Drain Port - Titan, Goliath, Goliath Furnace/Value Series

### Work Safe, READ THIS!

**ATTENTION:** FAILURE TO READ AND COMPLY WITH ALL WARNINGS, CAUTIONS AND INSTRUCTIONS PRIOR TO STARTING INSTALLATION MAY CAUSE PERSONAL INJURY AND/OR PROPERTY DAMAGE AND VOID WARRANTY.

**STOP/READ:** This device must be installed in accordance with manufacturer's instructions. This unit must be in accordance with all applicable local plumbing, drainage and electrical codes.

**WARNING:** Remove electrical shock hazard – **DISCONNECT THE POWER BEFORE INSTALLATION** to avoid electrical shock and/or equipment damage. **Do not use on circuits exceeding 24 volts** to avoid damage to switch, shock or fire hazard.

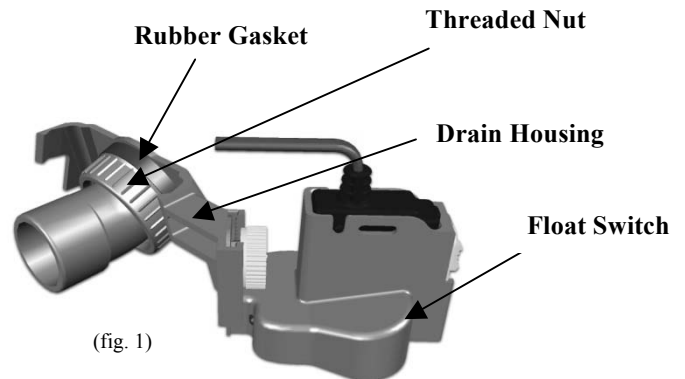
**NOTE:** In any installation where property damage and/or personal injury might result from an inoperative switch, a back-up system(s) and or alarm should be installed.

**NOTE:** The *AquaGuard* Drain pans and float switches must only be installed by a licensed contractor or under the direct supervision of one. Condensation pan must be properly maintained after installation and be kept free from foreign objects, rust or other obstructions that might interfere with the proper operation of the *AquaGuard* float switch.

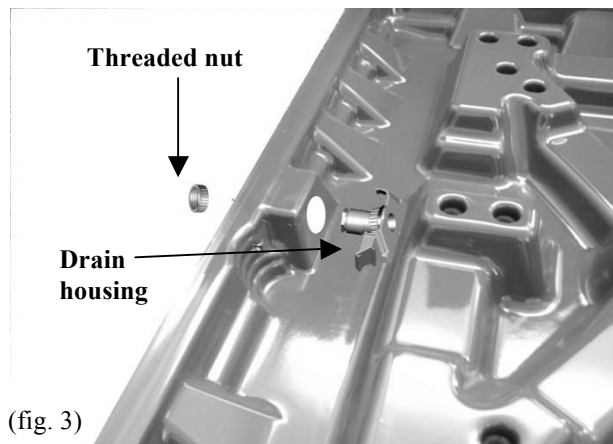
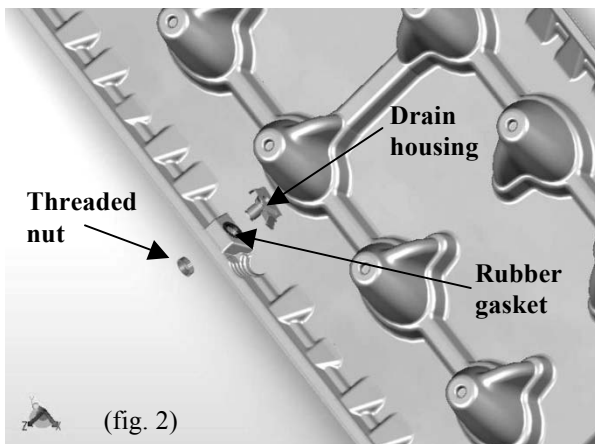
### Instructions

**NOTE:** To ensure proper performance of product, instructions must be followed. Inspect the drain pan for any shipping damage that may have occurred. If cracked or broken, **DO NOT USE!**

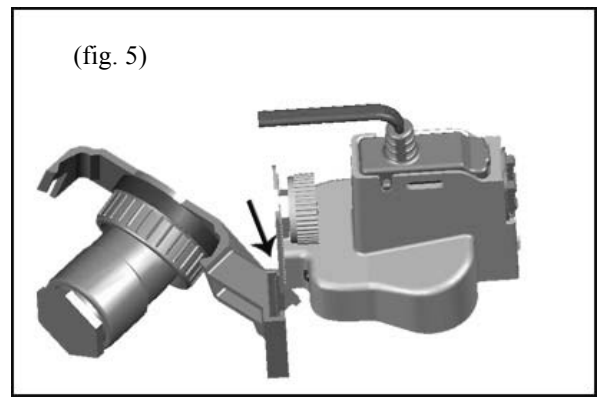
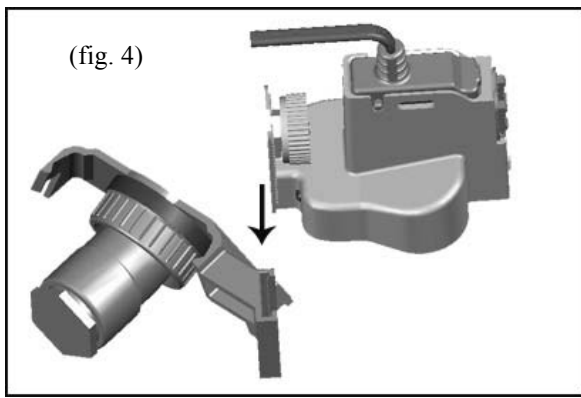
1. Remove the threaded nut from the drain housing/ float switch carrier. (fig. 1)



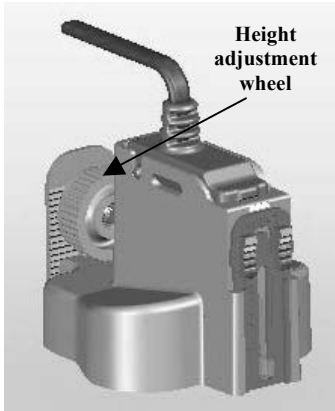
2. Install the drain housing from inside the pan **MAKING SURE THE RUBBER GASKETS ARE ON THE INSIDE OF THE PAN.** (fig. 2)
3. Screw the nut onto the drain housing from outside the pan and securely hand tighten. (fig. 3)



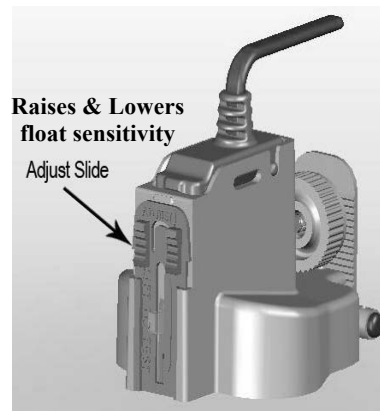
4. Install the Float Switch onto the Drain Housing by inserting flat plastic slide into the corresponding receptacle on the housing. (figs. 4,5)



5. Position the switch at the desired height and hand tighten the height adjustment wheel. Make adjustments with the height adjustment wheel and float sensitivity slide. (figs. 6, 7)



(fig. 6)



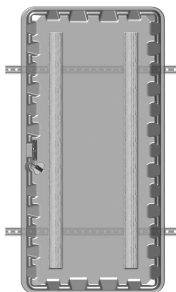
(fig. 7)

### **TITAN Drain Pan Installation:**

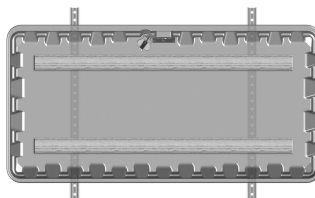
**(To ensure proper performance of product, instructions must be followed.)**

1. Inspect the drain pan for any shipping damage that may have occurred. If cracked or broken, DO NOT USE.
2. Make sure drain pan exceeds equipment dimensions by a minimum of 1.5" per side.
3. Make sure the pan-mounting surface is level and free of any debris.
4. For solid surface applications, place HVAC unit on blocks or 2-4x4 boards running the full length of the Titan pan between the HVAC unit and the Titan pan on either of the water displacement ridge. (fig. 8)
5. For hanging application, place 2-4x4 boards running the full length of the Titan pan between the HVAC unit and the pan on either side of the water displacement ridge. (fig. 9). **Note: Pressure treated wood will not damage the pan.**
6. Local code approved steel supports are to be placed 6" to 8" from the end of the 4x4 as shown. (figs. 9,10).

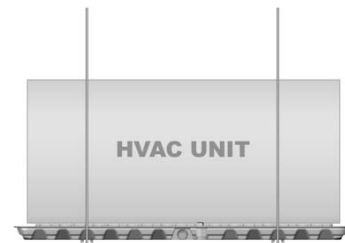
**IMPORTANT!** When brazing, take precautions to prevent pan from coming in contact with torch heat or brazing materials. It's recommended that a damp cloth be placed under the lines being brazed.



(fig. 8)



(fig. 9)



(fig. 10)

### **GOLIATH FURNACE Horizontal Drain Pan Installation:**

**(To ensure proper performance of product, instructions must be followed.)**

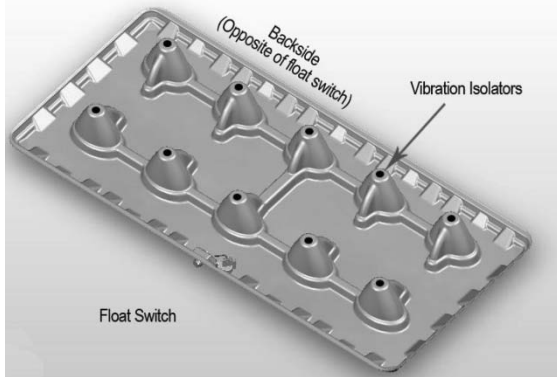
1. Refer to Furnace/Air Handler instructions prior to installation.
2. Inspect the drain pan for any shipping damage that may have occurred. If cracked or broken, DO NOT USE.
3. Make sure drain pan exceeds equipment dimensions by a minimum of 1.5" per side.
4. Make sure the pan-mounting surface is level and free of any debris.

**IMPORTANT!** When brazing, take precautions to prevent pan from coming in contact with torch heat or brazing materials. It's recommended that a

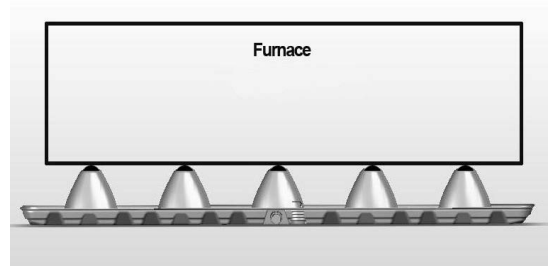
5. Insert rubber Vibration Isolators (Goliath, and Goliath Furnace series only) in the most appropriate support receptacles (fig.11). It is not necessary to fill every receptacle.
6. Position air handler in the center of the pan. (fig. 12)
7. For Goliath furnace drain pan installations, refer to manufacturer's instructions regarding clearance specifications. Optional AG-MJ1 Riser Kit may be used to achieve additional 1" clearance between furnace and pan.
8. For furnace installations, position the furnace with the heavy side of the unit resting on "back side" of the pan, i.e. the side directly opposite of the float switch. (fig. 11)

**IMPORTANT!** When brazing, take precautions to prevent pan from coming in contact with torch heat or brazing materials. It's recommended that a damp cloth be placed under the lines being brazed.

**Caution: AquaGuard GOLIATH FURNACE Series Drain Pans are not designed for hanging applications**



(fig. 11)



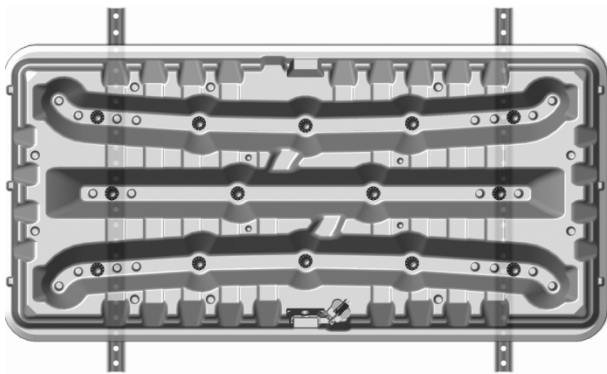
(fig.12)

**GOLIATH Horizontal Drain Pan Installation:**

**(To ensure proper performance of product, instructions must be followed.)**

1. Inspect the drain pan for any shipping damage that may have occurred. If cracked or broken, DO NOT USE.
2. Make sure drain pan exceeds equipment dimensions by a minimum of 1.5" per side.
3. Make sure the pan-mounting surface is level and free of any debris.  
**IMPORTANT!** When brazing, take precautions to prevent pan from coming in contact with torch heat or brazing materials. It's recommended that a damp cloth be placed under the lines being brazed.
4. Insert rubber vibration isolators (Goliath, and Goliath Furnace series only) in the most appropriate support receptacles (fig.11). It is not necessary to fill every receptacle.
5. Position air handler in the center of the pan. Safely hang or place pan on flat level surface. Check your local building codes before installation.
6. When hanging, pans must be supported equally at least 8" from each end by a support system approved by local code. (figs. 13,14)

**IMPORTANT!** When brazing, take precautions to prevent pan from coming in contact with torch heat or brazing materials. It's recommended that a damp cloth be placed under the lines being brazed.



(fig. 13)



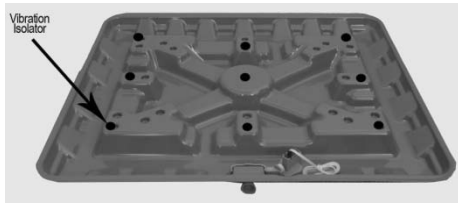
(fig. 14)

**GOLIATH FURNACE DRAIN PAN VERTICAL INSTALLATION:**

**(To ensure proper performance of product, instructions must be followed.)**

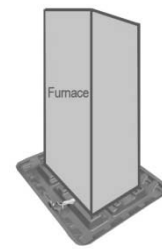
1. Inspect the drain pan for any shipping damage that may have occurred. If cracked or broken, DO NOT USE.
2. Make sure drain pan exceeds equipment dimensions by a minimum of 1.5" per side.
3. Make sure the pan-mounting surface is level and free of any debris.
4. Insert one rubber Vibration Isolator at each strategic support location where the appliance makes contact with the drain pan. NOTE: It is not necessary to fill all the vibration isolator receptacles. (fig. 15)
5. Position furnace in the center of the pan. (fig. 16)
6. Refer to manufacturer's instructions regarding "zero clearance" specifications. Optional AG-MJ1 Riser Kit may be used to achieve additional 1" clearance between furnace and pan.

**IMPORTANT!** When brazing, take precautions to prevent pan from coming in contact with torch heat or brazing materials. It's recommended that a damp cloth be placed under the lines being brazed.



(fig. 15)

**NOTE: Must use vibration Isolators**



(fig. 16)

**PLUMBING:**

**(To ensure proper performance of product, instructions must be followed.)**

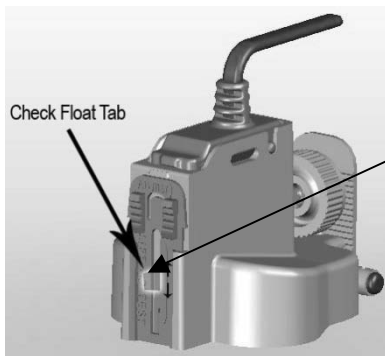
1. Run the condensate lines, if required, in accordance with local applicable codes.

**IMPORTANT!** When brazing, take precautions to prevent pan from coming in contact with torch heat or brazing materials. It's recommended that a damp cloth be placed under the lines being brazed.

**WIRING the AG-4100, AG-4200 & AG-4300 in a Conventional HVAC System:**

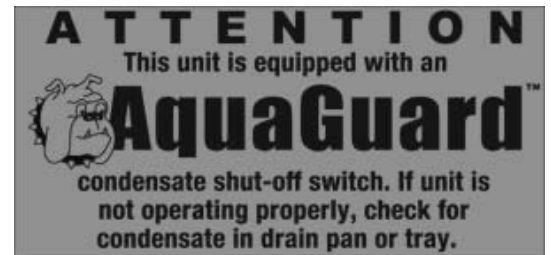
**(To ensure proper performance of product, instructions must be followed.)**

1. Double check that the power is disconnected to the unit at the main panel prior to moving to step 2. Refer to the appliance manufacturer's installation and operating instructions and also review wire layout in their instructions.
2. Locate the red wire coming from the 24 volt thermostat "R" terminal.
3. Disconnect or cut red wire. Connect the non-ribbed wire of the switch, using a wire nut, to the thermostat side of the circuit. Connect the ribbed wire of the switch, using a wire nut, to the air handler side of the circuit or to terminal in unit. Incorporating both switch wires in the red circuit will shut the unit completely off.
4. Test the switch. (At start-up check initial amperage load.)
  - A. With unit on, test switch by sliding check float tab up. (fig. 17) **Unit should stop running if switch is correctly wired.**
  - B. To test switch responsiveness fill pan with water to ensure that the switch stops the unit before the pan overflows. Remove water.
5. Place the ATTENTION sticker on unit in a clearly visible location. (fig. 18)



(fig. 17)

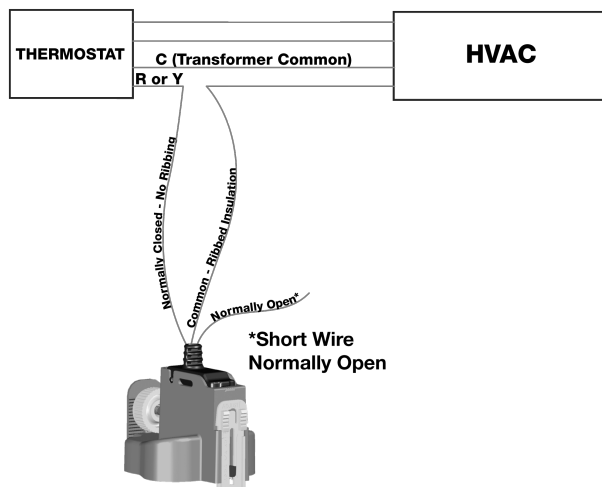
Slide tab up to test switch.  
Unit will shut off if correctly wired.



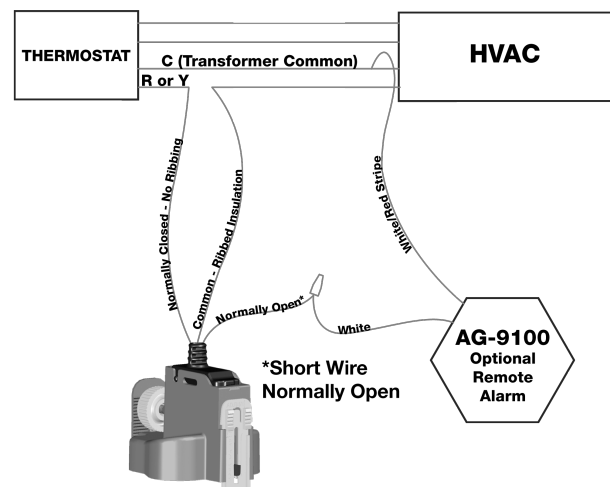
(fig. 18)

6. For wiring the normally open third wire (short wire) refer to the following diagrams:

**Standard HVAC Installation**



**Standard HVAC Installation w/ optional external alarm or accessory**



**WIRING the AG-4100, AG-4200 & AG-4300 in a Communicating HVAC System:**

1. See equipment manufacturers recommendations for specific wiring instructions.



## LIMITED WARRANTIES AND LIMITATION OF LIABILITY

REGISTER YOUR PRODUCT ONLINE: [www.rectorseal.com](http://www.rectorseal.com)

### 1 YEAR SWITCH AND SENSOR LIMITED WARRANTY AND LIMITATION OF LIABILITY

The limitations of liability set forth below include body and all component parts as well as the product itself as a whole.

Rectorseal warrants to the original consumer purchaser ("Purchaser") of its AquaGuard switch and sensor products, that they are free from defects in material or workmanship for a period of one (1) year from the date of purchase. If this product shall prove to be defective within the one (1) year period from the date of purchase, it shall be repaired or replaced, at Rectorseal's option, subject to the GENERAL TERMS and CONDITIONS set forth below.

### EXCLUSIONS

This warranty does not cover damages resulting from use of components or accessories not approved by Rectorseal.

### 3, and 10 YEAR SEC-ONDARY DRAIN PAN LIMITED WARRANTY AND LIMITATION OF LIABILITY

This warranty applies only to secondary drain pans installed in the United States and Canada.

Rectorseal warrants to the original consumer purchaser ("Purchaser") of its AquaGuard secondary drain pan products, that they are free from defects in material or workmanship for a period of three (3) years for Titan pan models, ten (10) years for Goliath and Goliath Furnace models, from the date of purchase. If this product shall prove to be defective within the three, five or ten (3, or 10) year period from the date of purchase, it shall be repaired or replaced, at Rectorseal's option, subject to the GENERAL TERMS and CONDITIONS set forth below.

This warranty extends only to the original consumer purchaser and is nontransferable.

### EXCLUSIONS

This warranty does not cover damages resulting from the use of corrosive material (including, but not limited to: Acetone, MEK and petroleum-based products); nor damages resulting from use of components or accessories not approved by Rectorseal.

### GENERAL TERMS AND CONDITIONS

To be eligible for the warranty the purchaser must provide Rectorseal with the following:

1. Proof of Purchase (Original Receipt)
2. Installer's Testimony
3. Original Product
4. Original Work Order
5. Photos of Installation

PURCHASER MUST PAY ALL LABOR AND SHIPPING CHARGES NECESSARY TO REPLACE PRODUCT COVERED BY THIS WARRANTY. This warranty shall not apply to acts of God, nor shall it apply to products which, in the sole judgment of Rectorseal have been subject to negligence, abuse, accident, tampering, misapplication, alteration; nor due to improper installation, operation or maintenance or storage; nor moved from its original place of installation; nor to other than normal application, use or service, including but not limited to, operational failures caused by corrosion, rust or other foreign materials in the system. Requests for service under this warranty shall be made by returning the defective product to the Retail outlet or to Rectorseal as soon as possible after the discovery of any alleged defect. Rectorseal will subsequently take corrective action as promptly as reasonably possible. No requests for service under this warranty will be accepted if received more than thirty-one (31) days after the term of the warranty. This warranty sets forth Rectorseal's sole obligation and purchaser's exclusive remedy for defective products. For your benefit and protection register your product online at [www.rectorseal.com](http://www.rectorseal.com) within thirty (30) days of installation. This will initiate the Warranty period and will allow us to contact you, should it become necessary. In the absence of a recorded product registration, the Warranty period will begin upon product shipment from Rectorseal. In the event that Rectorseal attempts to contact consumers regarding a recall or other matter, and any damages occur, which could have been avoided by registration by the consumer, Rectorseal shall have no liability. IN ALL CIRCUMSTANCES, RECTORSEAL'S MAXIMUM LIABILITY SHALL NOT EXCEED THE ACTUAL PURCHASE PRICE PAID FOR THE PRODUCT ALONE. Warranty claims must be registered with Rectorseal within thirty (30) days of damage or malfunction. Rectorseal reserves the right to visit the site of the installation or to require documentation of the claim before assuming any responsibility under the provisions of this Warranty. Consumer agrees to inspect the product at the time of installation for any reasonable discernable defects and, further, agrees to inspect the product annually. Any damages occurring, which could have been avoided by proper inspection will not be the responsibility of Rectorseal. RECTORSEAL SHALL NOT BE LIABLE FOR ANY CONSEQUENTIAL, INCIDENTAL, OR CONTINGENT DAMAGES WHATSOEVER TO THE PURCHASER OR ANY THIRD PARTY. THE FOREGOING WARRANTIES ARE EXCLUSIVE AND IN LIEU OF ALL EXPRESSED WARRANTIES. IMPLIED WARRANTIES, INCLUDING BUT NOT LIMITED TO THE IMPLIED WARRANTIES OF MERCHANTABILITY AND FITNESS FOR A PARTICULAR PURPOSE, SHALL NOT EXTEND BEYOND THE DURATION OF THE APPLICABLE EXPRESSED WARRANTIES PROVIDED HEREIN.

Some states do not allow the exclusion of limitation of incidental and consequential damages or limitations on how long an implied warranty lasts, so the above limitations or exclusions may not apply to you. This warranty gives you specific legal rights and you may also have other legal rights that vary from state to state.

VENUE: Any purchaser or third party actions brought for any reason hereunder shall be commenced in Houston, TX and no other jurisdiction, and such action shall be governed by and construed in accordance with the laws of the State of Texas. Any notice herein shall be sent by certified or registered mail to 2601 Spenwick Drive, Houston, TX USA

## 24 VAC, 5 amps