

▶ FEATURES

- + Ships with MERV 11 filter
- + Can be upgraded to MERV 13 filter with simple media change
- + Minimal maintenance required — simply replace media annually
- + Made of corrosion-resistant heavy gauge galvanized steel
- + Proprietary door design and Self-Seal™ media virtually eliminates air bypass, delivering MERV performance as rated
- + UL classified cabinet and media
- + Load rated up to 400 lbs.
- + 5-year warranty on cabinet from date of installation



▶ BENEFITS

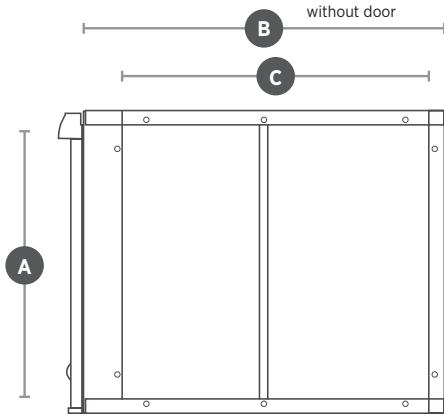
- + Eliminates the need for multiple air cleaners on a single system
- + Offers equipment protection from dust buildup
- + Assured equipment performance
- + Media revenue — HVAC channel only
- + Superior performance over one inch panel filters and four inch cartridge filters

PRODUCT SPECIFICATIONS

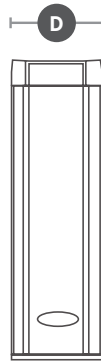
Nominal Size (In Inches)	Shipping Weight	MERV 11				MERV 13					
		Replacement Media	Resistance @ Airflow Volume (inches w.c. @CFM)		Shipping Weight (full carton)	Filtering Media Area	Replacement Media	Resistance @ Airflow Volume (inches w.c. @CFM)		Shipping Weight (full carton)	Filtering Media Area
31 x 28	23.3 lbs.	Model 510	.04"@1000 .10"@2000		37 lbs.	45.1 sq. ft.	Model 513	.05"@1000 .13"@2000		37 lbs.	45.1 sq. ft.
			.05"@1200 .12"@2200					.07"@1200 .15"@2200			
			.06"@1400 .14"@2400					.08"@1400 .17"@2400			
			.07"@1600 .15"@2600					.10"@1600 .18"@2600			
			.09"@1800 .17"@2800					.11"@1800 .20"@2800			
			.19"@3000					.23"@3000			

REMOVAL EFFICIENCY (Based on Particle Size)			
	0.3-1.0 Microns	1.0-3.0 Microns	3.0-10 Microns
MERV 11	37%	67%	92%
MERV 13	63%	88%	93%

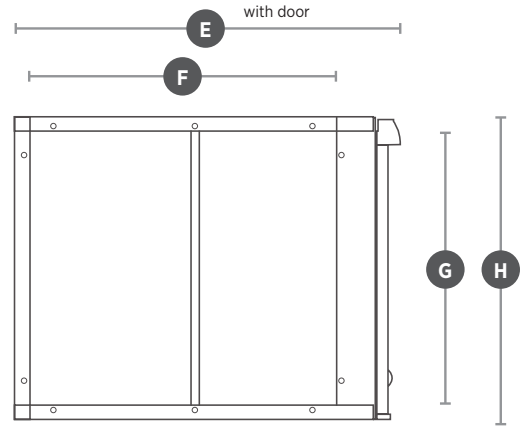
Inlet Side Return Duct Connection



Front



Outlet Side Furnace Connection



Dim.	Description	Model 1510
A	Inlet Opening Height	28 ²³ / ₃₂ " (730mm)
B	Outer Housing Depth without Door	28 ¹ / ₁₆ " (712mm)
C	Inlet Opening Width	23 ⁷ / ₈ " (607mm)
D	Unit Width	6 ³ / ₄ " (171mm)
E	Outer Housing Depth with Door & Clips	30 ¹ / ₁₆ " (763mm)
F	Outlet Opening Width	23 ⁷ / ₈ " (606mm)
G	Outlet Opening Height	28 ²³ / ₃₂ " (730mm)
H	Unit Height at Back	31" (788mm)

REPLACEMENT MEDIA

Model 1510	Aprilaire Part No. 510 Aprilaire Part No. 513	MERV 11 MERV 13
------------	--	--------------------