

Installer's Guide

Heat Pumps

4A6H6

ALL phases of this installation must comply with NATIONAL, STATE AND LOCAL CODES

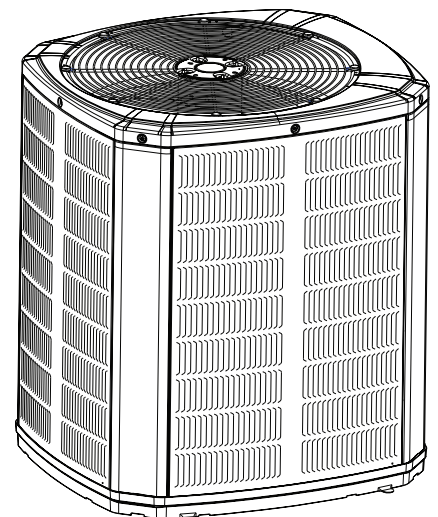
IMPORTANT — This Document is customer property and is to remain with this unit. Please return to service information pack upon completion of work.

These instructions do not cover all variations in systems or provide for every possible contingency to be met in connection with the installation. Should further information be desired or should particular problems arise which are not covered sufficiently for the purchaser's purposes, the matter should be referred to your installing dealer or local distributor.

Note: The manufacturer recommends installing only approved matched indoor and outdoor systems. All of the manufacture's split systems are A.H.R.I. rated only with TXV/EEV indoor systems. Some of the benefits of installing approved matched indoor and outdoor split systems are maximum efficiency, optimum performance and the best overall system reliability.

Table of Contents

Section 1. Safety	2
Section 2. Unit Location Considerations	3
Section 3. Unit Preparation	5
Section 4. Setting the Unit	5
Section 5. Refrigerant Line Considerations	6
Section 6. Refrigerant Line Routing	7
Section 7. Refrigerant Line Brazing	8
Section 8. Refrigerant Line Leak Check	10
Section 9. Evacuation	11
Section 10. Service Valves	11
Section 11. Electrical - Low Voltage	13
Section 12. Electrical - High Voltage	16
Section 13. Start Up	17
Section 14. System Charge Adjustment	18
Section 15. Checkout Procedures and Troubleshooting	26



Section 1. Safety

WARNING

This information is intended for use by individuals possessing adequate backgrounds of electrical and mechanical experience. Any attempt to repair a central air conditioning product may result in personal injury and/or property damage. The manufacture or seller cannot be responsible for the interpretation of this information, nor can it assume any liability in connection with its use.

WARNING

These units use R-410A refrigerant which operates at 50 to 70% higher pressures than R-22. Use only R-410A approved service equipment. Refrigerant cylinders are painted a “Rose” color to indicate the type of refrigerant and may contain a “dip” tube to allow for charging of liquid refrigerant into the system. All R-410A systems use a POE oil that readily absorbs moisture from the atmosphere. To limit this “hygroscopic” action, the system should remain sealed whenever possible. If a system has been open to the atmosphere for more than 4 hours, the compressor oil must be replaced. Never break a vacuum with air and always change the driers when opening the system for component replacement. For specific handling concerns with R-410A and POE oil reference Retrofit Bulletins SS-APG006-EN and APP-APG011-EN.

WARNING

UNIT CONTAINS R-410A REFRIGERANT!
R-410A operating pressures exceed the limit of R-22. Proper service equipment is required. Failure to use proper service tools may result in equipment damage or personal injury.

SERVICE

USE ONLY R-410A REFRIGERANT AND APPROVED POE COMPRESSOR OIL.

WARNING

Extreme caution should be exercised when opening the Liquid Line Service Valve. Turn counterclockwise until the valve stem just touches the rolled edge. No torque is required. Failure to follow this warning will result in abrupt release of system charge and may result in personal injury and /or property damage.

WARNING

LIVE ELECTRICAL COMPONENTS!

During installation, testing, servicing, and troubleshooting of this product, it may be necessary to work with live electrical components. Failure to follow all electrical safety precautions when exposed to live electrical components could result in death or serious injury.

CAUTION

If using existing refrigerant lines make certain that all joints are brazed, not soldered.

CAUTION

Scroll compressor dome temperatures may be hot. Do not touch the top of compressor; it may cause minor to severe burning.

Section 2. Unit Location Considerations

2.1 Unit Dimensions and Weight

Table 2.1

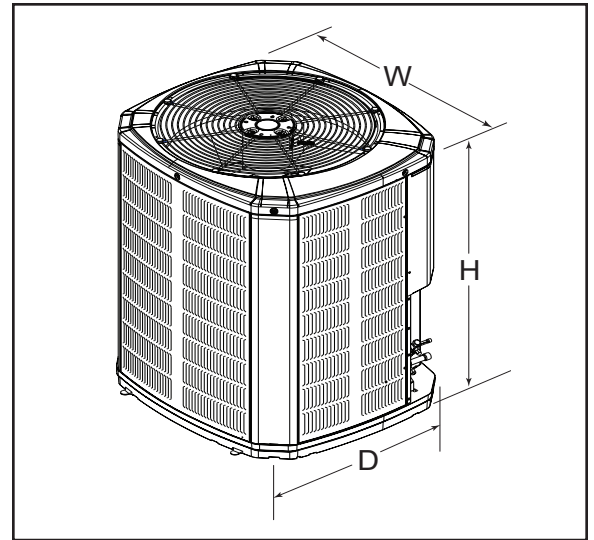
Unit Dimensions and Weight		
Models	H x D x W (in)	Weight* (lb)
4A6H6024G	41 x 34 x 37	236
4A6H6036G	45 x 34 x 37	236
4A6H6048G	45 x 34 x 37	292
4A6H6060E/G	45 x 34 x 37	293

* Weight values are estimated.

When mounting the outdoor unit on a roof, be sure the roof will support the unit's weight.

Properly selected isolation is recommended to alleviate sound or vibration transmission to the building structure.

Please refer to application bulletin APP-APG014-EN for detailed mounting information.

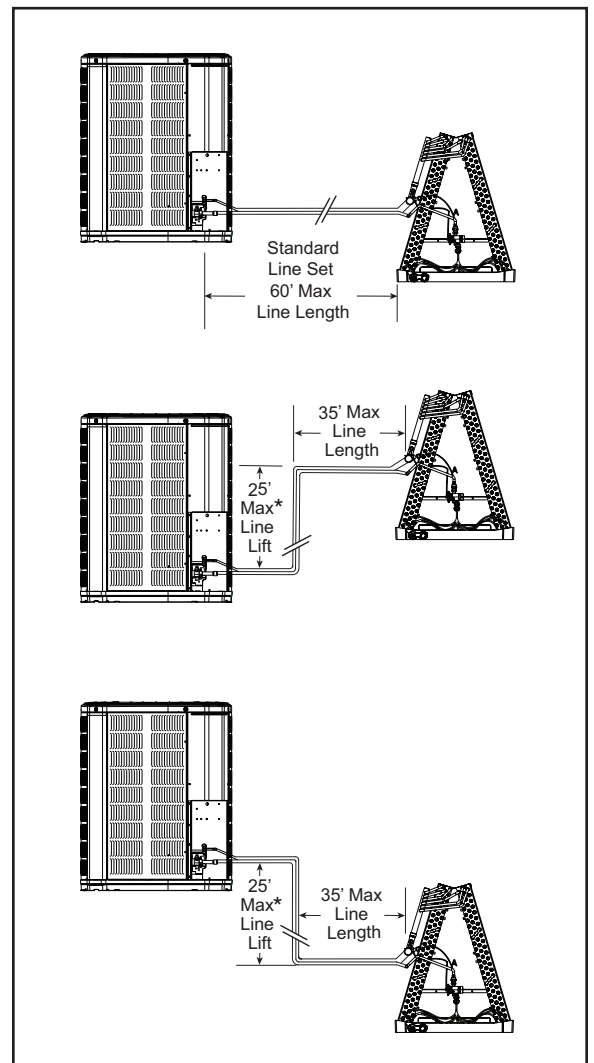


2.2 Refrigerant Piping Limits

1. The maximum length of refrigerant lines from outdoor to indoor unit should NOT exceed sixty (60) feet.
2. The maximum vertical change should not exceed twenty five (25) feet*.
3. Service valve connection diameters are shown in Table 5.1.

Note: For line lengths greater than sixty (60) feet, Refer to Refrigerant Piping Application Guide, SS-APG006-EN or Refrigerant Piping Software Program, 32-3312-03 (or latest revision).

* Restricted to maximum vertical change of 25 ft.



2.3 Suggested Locations for Best Reliability

Ensure the top discharge area is unrestricted for at least five (5) feet above the unit.

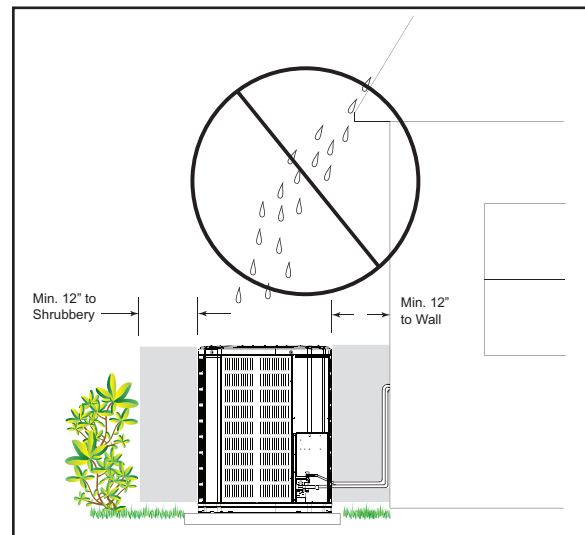
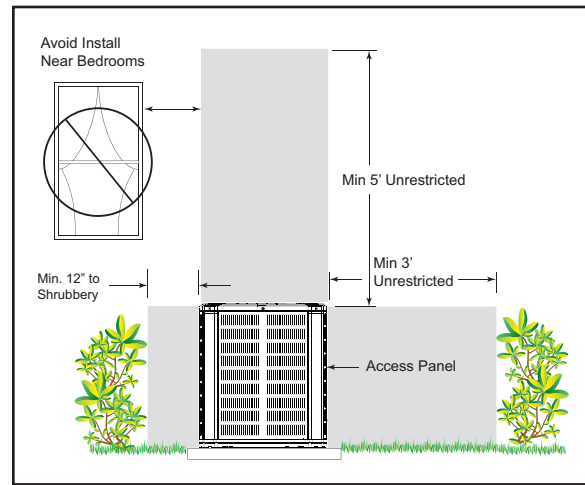
Three (3) feet clearance must be provided in front of the control box (access panels) and any other side requiring service.

Do not locate close to bedrooms as operational sounds may be objectionable.

Avoid locations such as near windows where condensation and freezing defrost vapor can annoy a customer.

Position the outdoor unit a minimum of 12" from any wall or surrounding shrubbery to ensure adequate airflow.

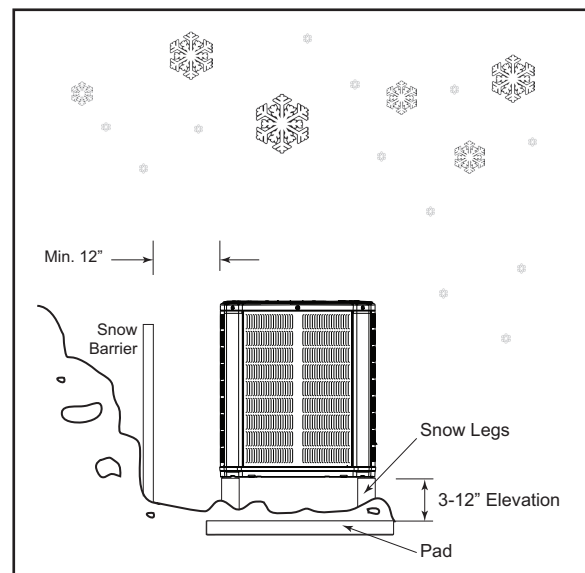
Outdoor unit location must be far enough away from any structure to prevent excess roof runoff water or icicles from falling directly on the unit.



2.4 Cold Climate Considerations

NOTE: It is recommended that these precautions be taken for units being installed in areas where snow accumulation and prolonged below freezing temperatures occur.

- Units should be elevated 3-12 inches above the pad or rooftop, depending on local weather. This additional height will allow drainage of snow and ice melted during defrost cycle prior to its refreezing. Ensure that drain holes in unit base pan are not obstructed preventing draining of defrost water.
- If possible, avoid locations that are likely to accumulate snow drifts. If not possible, a snow drift barrier should be installed around the unit to prevent a build-up of snow on the sides of the unit.



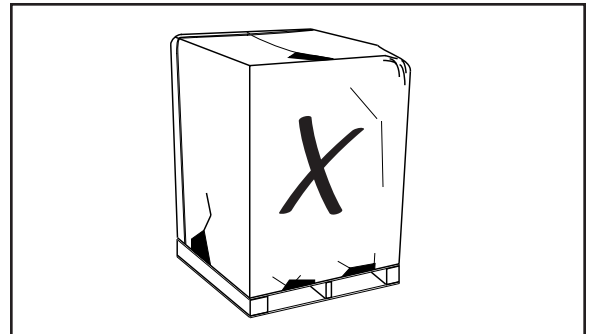
2.5 Coastal Considerations

If installed within one mile of salt water, including seacoasts and inland waterways, models without factory supplied Seacoast Salt Shields require the addition of BAYSEAC001 (Seacoast Kit) at installation time. Please refer to Application Guide SS-APB007-EN: *American Standard - Sea Coast Applications and Seacoast Corrosion Protection Bulletin* UN-SVB11A-EN.

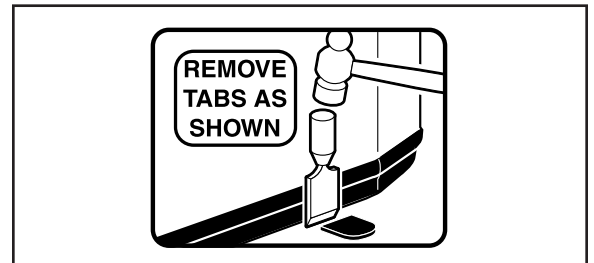
Section 3. Unit Preparation

3.1 Prepare The Unit For Installation

STEP 1 - Check for damage and report promptly to the carrier any damage found to the unit.



STEP 2 - To remove the unit from the pallet, remove tabs by cutting with a sharp tool.



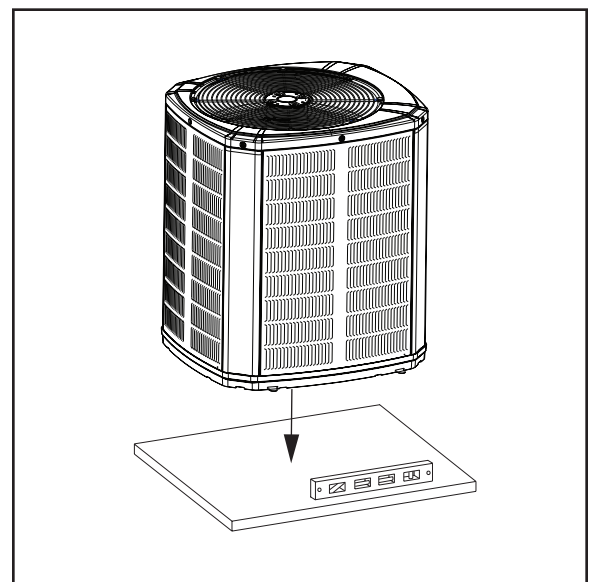
Section 4. Setting the Unit

4.1 Pad Installation

When installing the unit on a support pad, such as a concrete slab, consider the following:

- The pad should be at least 1" larger than the unit on all sides.
- The pad must be separate from any structure.
- The pad must be level.
- The pad should be high enough above grade to allow for drainage.
- The pad location must comply with National, State, and Local codes.

For other applications refer to Application Guide APP-APG014-EN.



Section 5. Refrigerant Line Considerations

5.1 Refrigerant Line and Service Valve Connection Sizes

Table 5.1

Model	Line Sizes		Service Valve Connection Sizes	
	Vapor Line	Liquid Line	Vapor Line Connection	Liquid Line Connection
4A6H6024G	5/8	3/8	5/8	3/8
4A6H6036G	3/4	3/8	3/4	3/8
4A6H6048G	7/8	3/8	7/8	3/8
4A6H6060E/G	1-1/8	3/8	1-1/8	3/8

5.2 Factory Charge

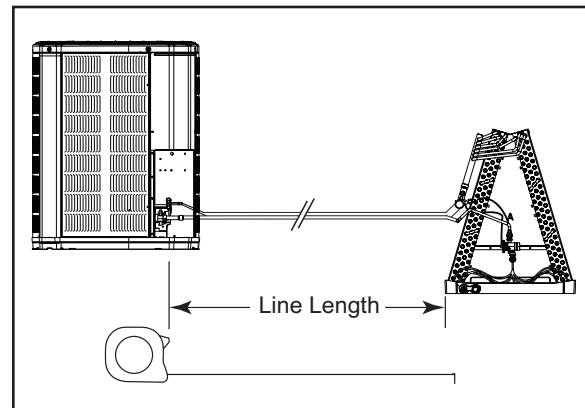
American Standard Heating & Air Conditioning outdoor condensing units are factory charged with the system charge required for the outdoor condensing unit, fifteen (15) feet of tested connecting line, and the smallest indoor evaporative coil match. **If connecting line length exceeds fifteen (15) feet and/or a larger indoor evaporative coil is installed, then final refrigerant charge adjustment is necessary.**

5.2 Required Refrigerant Line Length

Determine required line length and lift. You will need this later in STEP 2 of Section 14.

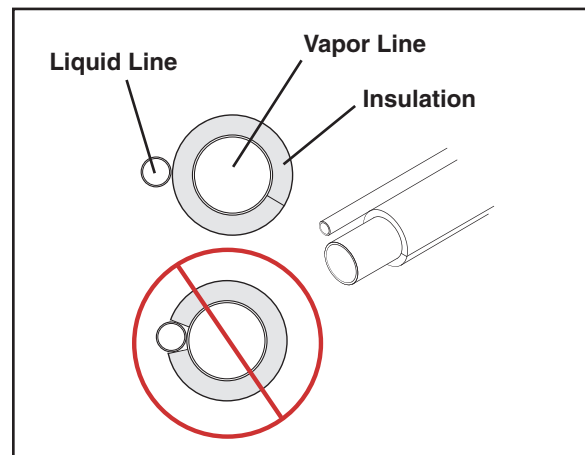
Total Line Length = _____ Ft.

Total Vertical Change (lift) = _____ Ft.



5.4 Refrigerant Line Insulation

Important: The Vapor Line must always be insulated. DO NOT allow the Liquid Line and Vapor Line to come in direct (metal to metal) contact.



5.5 Reuse Existing Refrigerant Lines

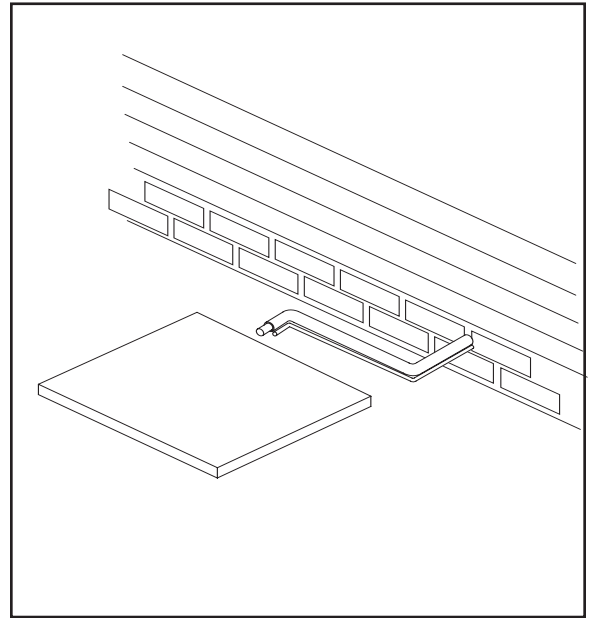
⚠ CAUTION

If using existing refrigerant lines make certain that all joints are brazed, not soldered.

For retrofit applications, where the existing indoor evaporator coil and/or refrigerant lines will be used, the following precautions should be taken:

- Ensure that the indoor evaporator coil and refrigerant lines are the correct size.
- Ensure that the refrigerant lines are free of leaks, acid, and oil.

Important: For more information see publication numbers SS-APG006-EN and APP-APG012-EN.



Section 6. Refrigerant Line Routing

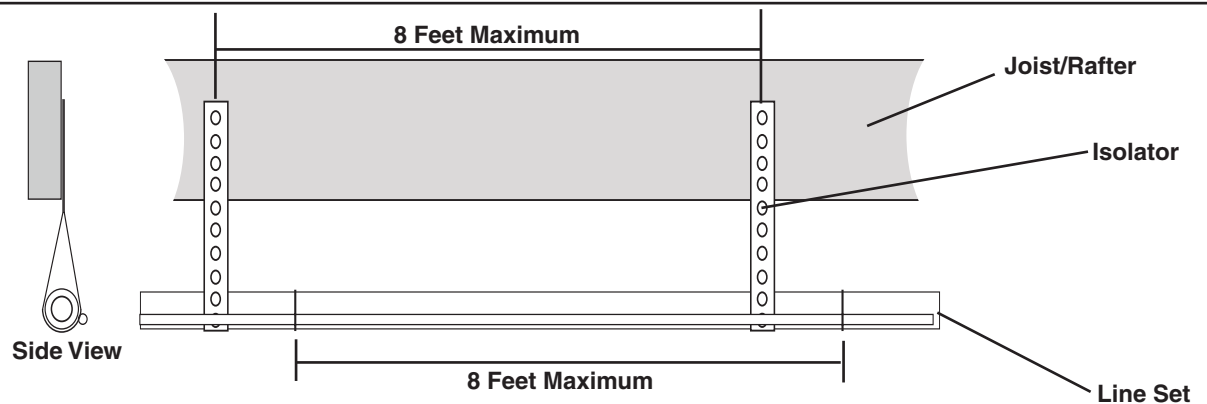
6.1 Precautions

Important: Take precautions to prevent noise within the building structure due to vibration transmission from the refrigerant lines.

Comply with National, State, and Local Codes when isolating line sets from joists, rafters, walls, or other structural elements.

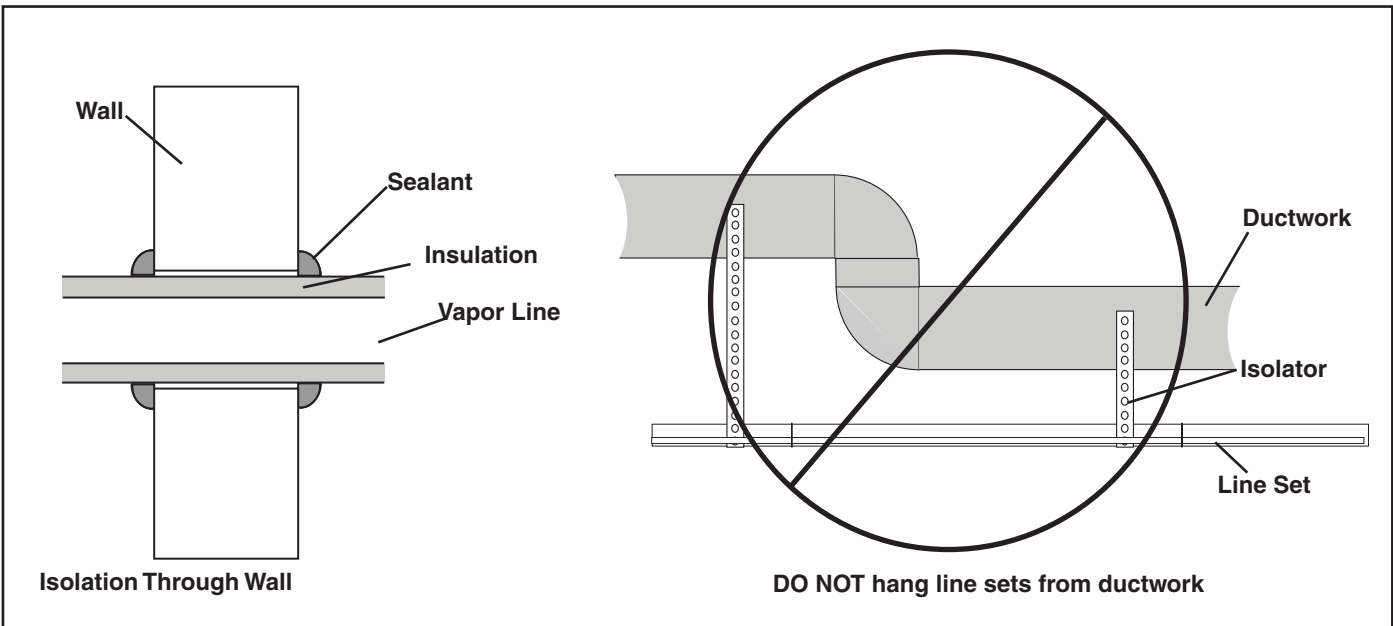
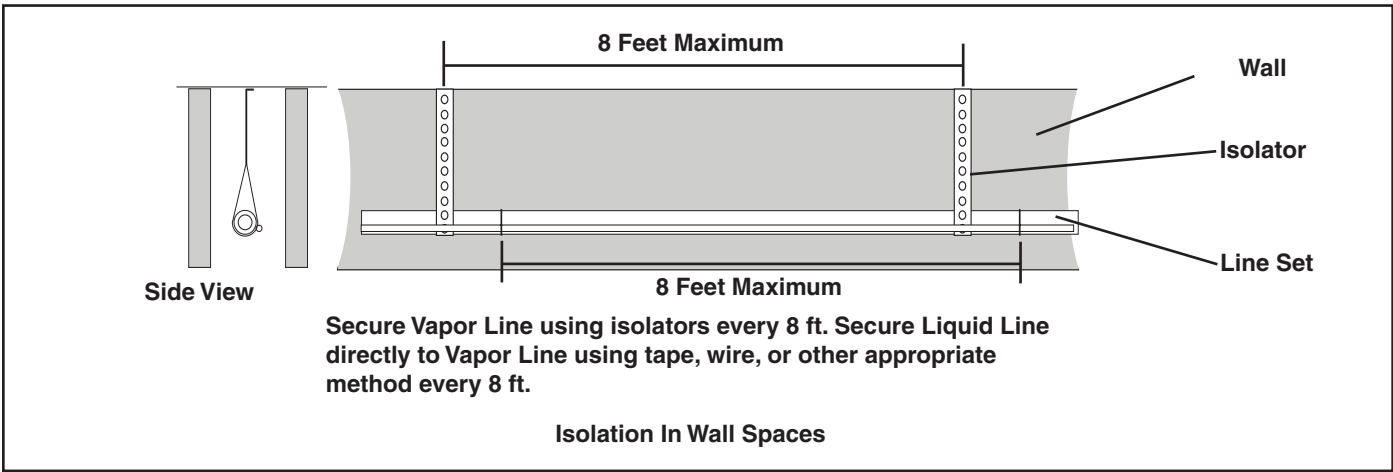
For Example:

- When the refrigerant lines have to be fastened to floor joists or other framing in a structure, use isolation type hangers.
- Isolation hangers should also be used when refrigerant lines are run in stud spaces or enclosed ceilings.
- Where the refrigerant lines run through a wall or sill, they should be insulated and isolated.
- Isolate the lines from all ductwork.
- Minimize the number of 90° turns.



Secure Vapor line from joists using isolators every 8 ft. Secure Liquid Line directly to Vapor line using tape, wire, or other appropriate method every 8 ft.

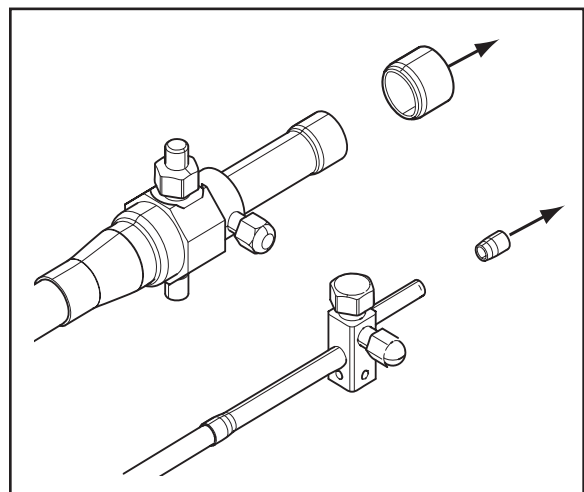
Isolation From Joist/Rafter



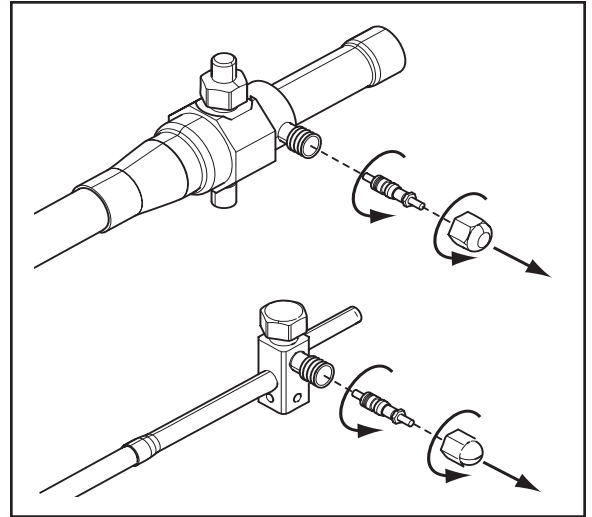
Section 7. Refrigerant Line Brazing

7.1 Braze The Refrigerant Lines

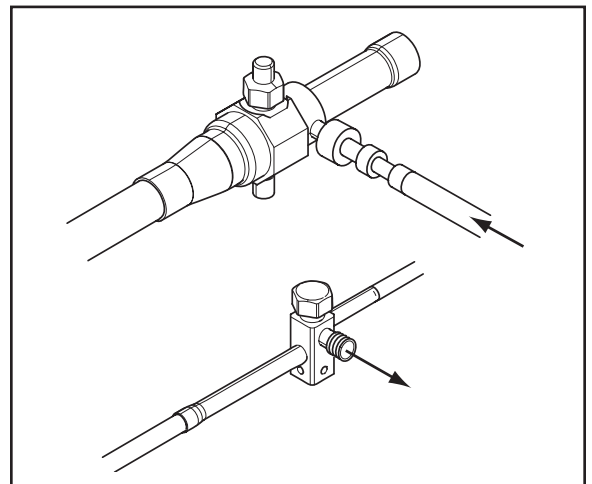
STEP 1 - Remove caps or plugs. Use a deburring tool to deburr the pipe ends. Clean both internal and external surfaces of the tubing using an emery cloth.



STEP 2 - Remove the pressure tap cap and valve cores from both service valves.



STEP 3 - Purge the refrigerant lines and indoor coil with dry nitrogen.



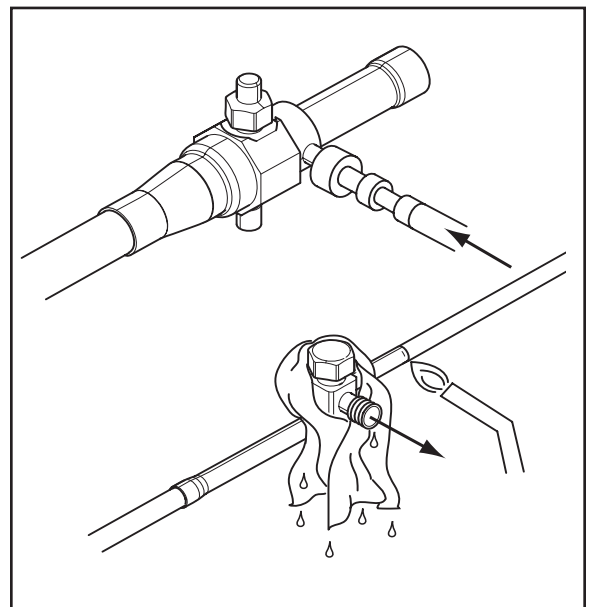
STEP 4 - Wrap a wet rag around the valve body to avoid heat damage and continue the dry nitrogen purge.

Braze the refrigerant lines to the service valves.

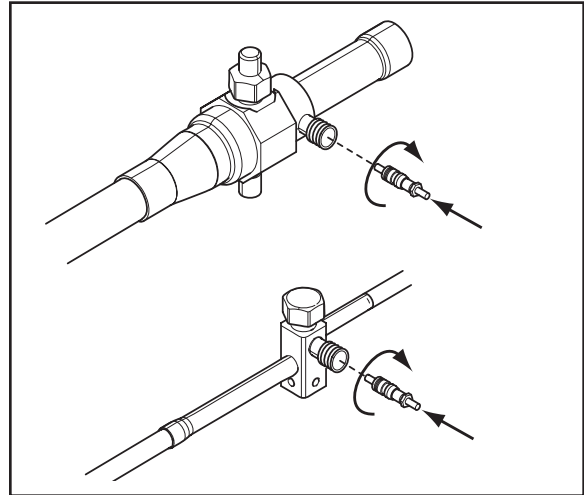
Continue the dry nitrogen purge. Do not remove the wet rag until all brazing is completed.

Important: Remove the wet rag before stopping the dry nitrogen purge.

NOTE: Precautions should be taken to avoid heat damage to basepan during brazing. It is recommended to keep the flame directly off of the basepane.



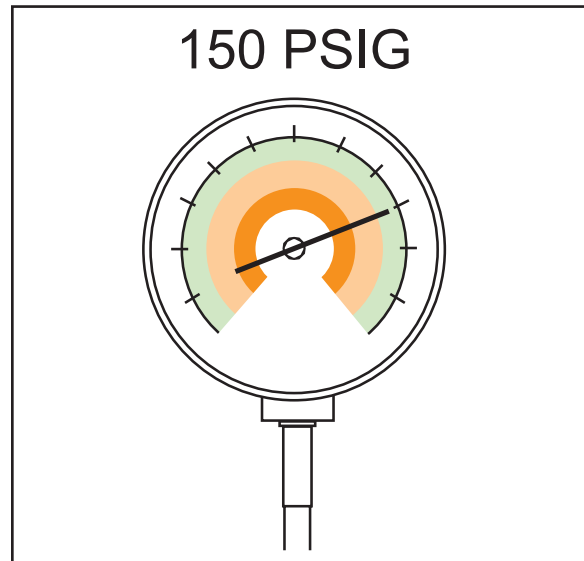
STEP 5 - Replace the pressure tap valve cores after the service valves have cooled.



Section 8. Refrigerant Line Leak Check

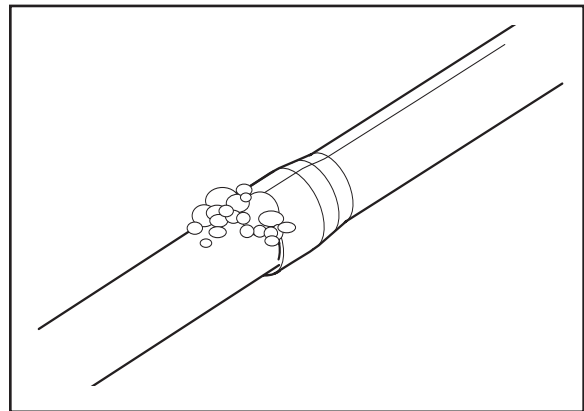
8.1 Check For Leaks

STEP 1 - Pressurize the refrigerant lines and evaporator coil to 150 PSIG using dry nitrogen.



STEP 2 - Check for leaks by using a soapy solution or bubbles at each brazed location.

Remove nitrogen pressure and repair any leaks before continuing.

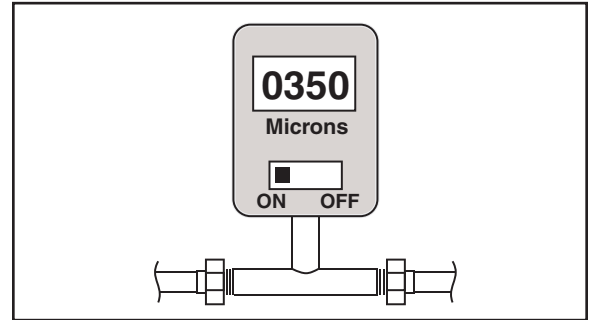


Section 9. Evacuation

9.1 Evacuate the Refrigerant Lines and Indoor Coil

Important: Do not open the service valves until the refrigerant lines and indoor coil leak check and evacuation are complete.

STEP 1 - Evacuate until the micron gauge reads no higher than 350 microns, then close off the valve to the vacuum pump.



STEP 2 - Observe the micron gauge. Evacuation is complete if the micron gauge does not rise above 500 microns in one (1) minute.

Once evacuation is complete blank off the vacuum pump and micron gauge, and close the valves on the manifold gauge set.



Section 10. Service Valves

10.1 Open the Gas Service Valve

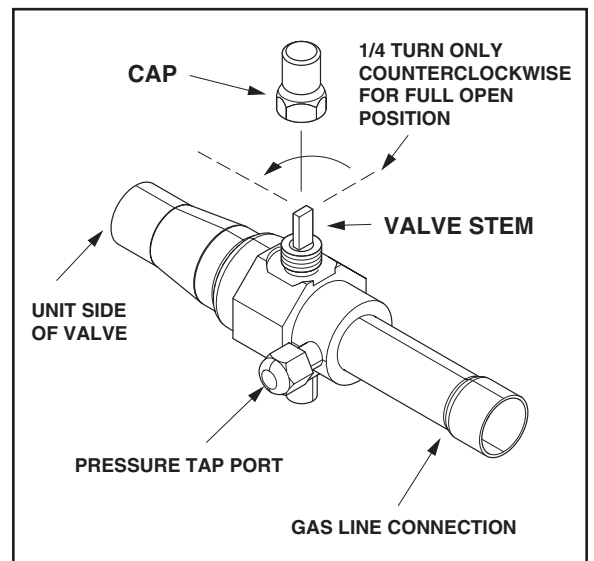
Important: Leak check and evacuation must be completed before opening the service valves.

NOTE: Do not vent refrigerant gases into the atmosphere

STEP 1 - Remove valve stem cap.

STEP 2 - Using an adjustable wrench, turn valve stem 1/4 turn counterclockwise to the fully open position.

STEP 3 - Replace the valve stem cap to prevent leaks. Tighten finger tight plus an additional 1/6 turn.



10.1 Open the Liquid Service Valve

⚠ WARNING

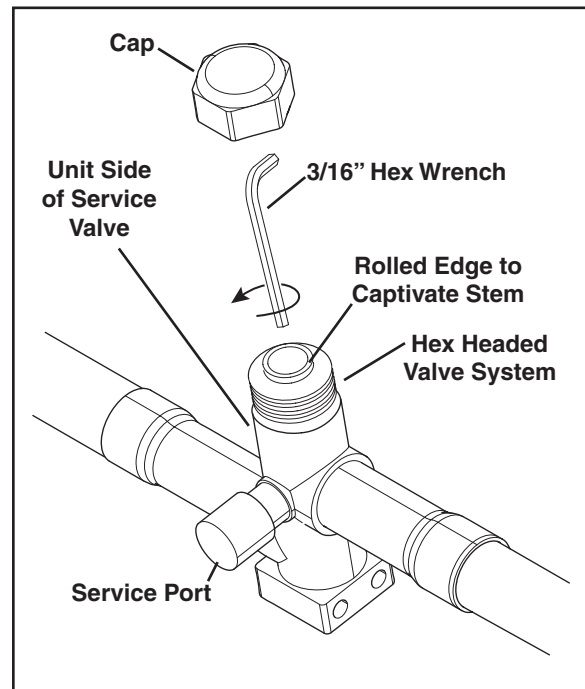
Extreme caution should be exercised when opening the Liquid Line Service Valve. Turn counterclockwise until the valve stem just touches the rolled edge. No torque is required. Failure to follow this warning will result in abrupt release of system charge and may result in personal injury and /or property damage.

Important: Leak check and evacuation must be completed before opening the service valves.

STEP 1 - Remove service valve cap.

STEP 2 - Fully insert 3/16" hex wrench into the stem and back out counterclockwise until valve stem just touches the rolled edge (approximately five (5) turns.)

STEP 3 - Replace the valve cap to prevent leaks. Tighten finger tight plus an additional 1/6 turn.



Section 11. Electrical - Low Voltage

11.1 Low Voltage Maximum Wire Length

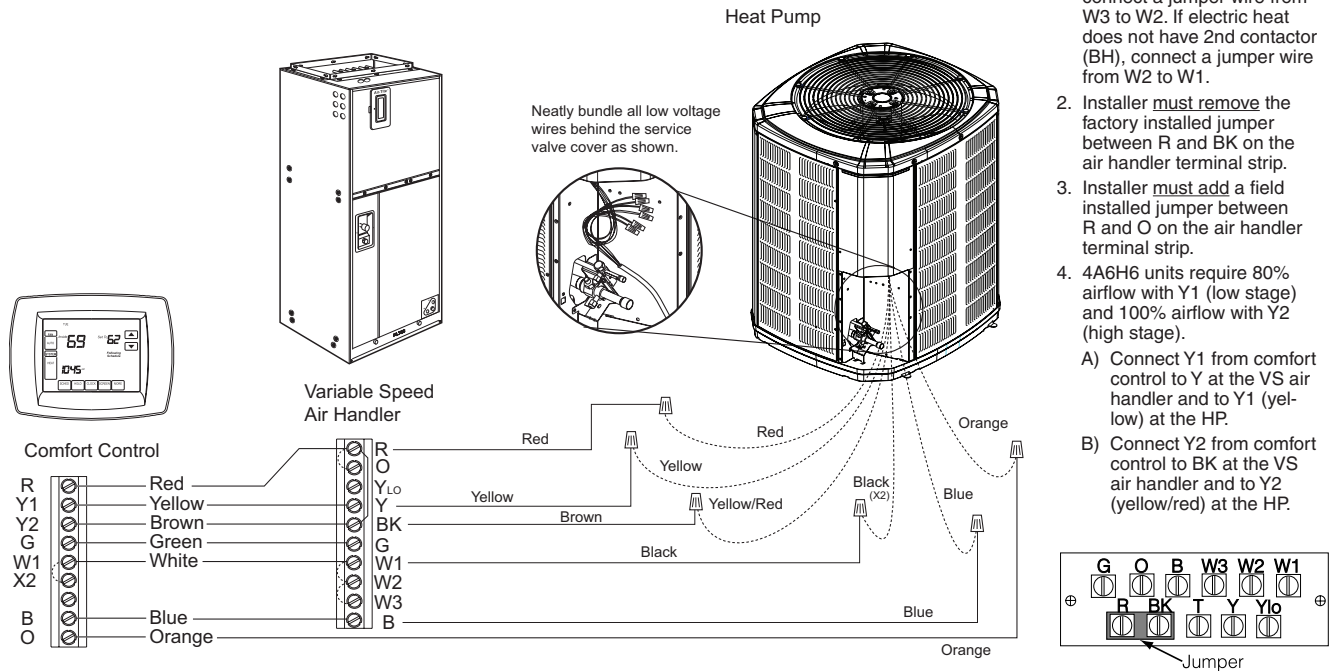
Table 11.1 defines the maximum total length of low voltage wiring from the outdoor unit, to the indoor unit, and to the thermostat.

Table 11.1

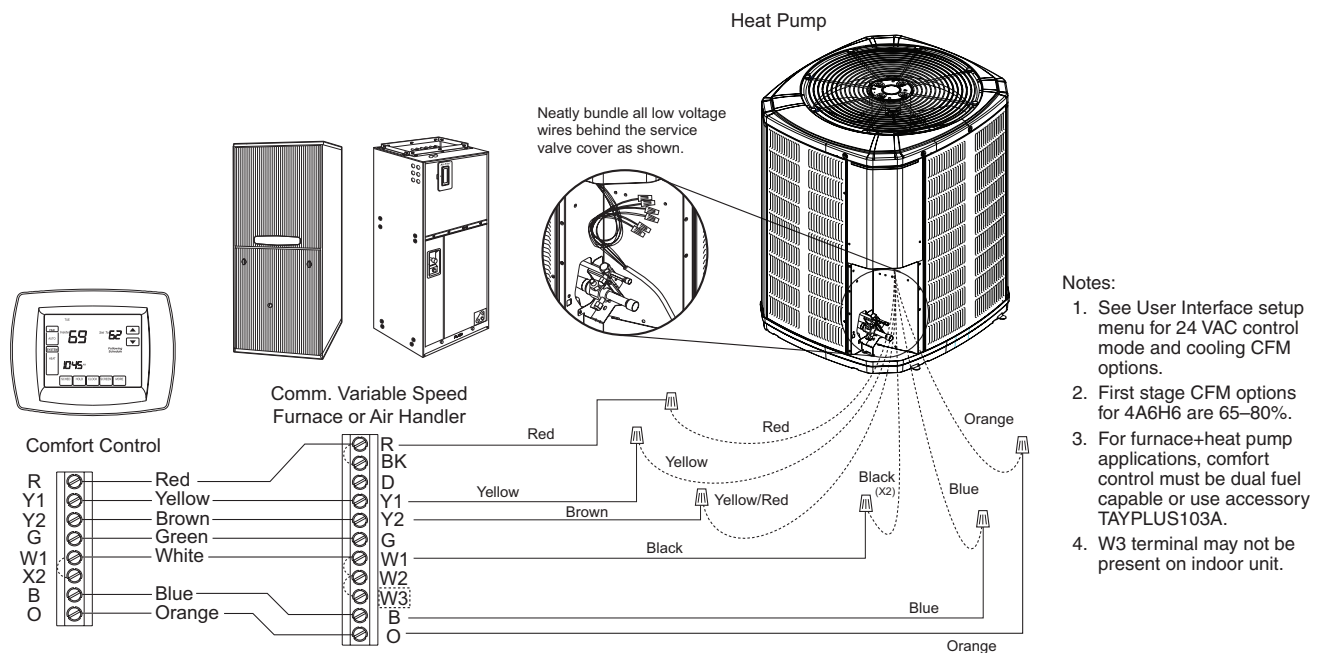
24 VOLTS	
WIRE SIZE	MAX. WIRE LENGTH
18 AWG	150 Ft.
16 AWG	225 Ft.
14 AWG	300 Ft.

11.2 Low Voltage Hook-up Diagrams

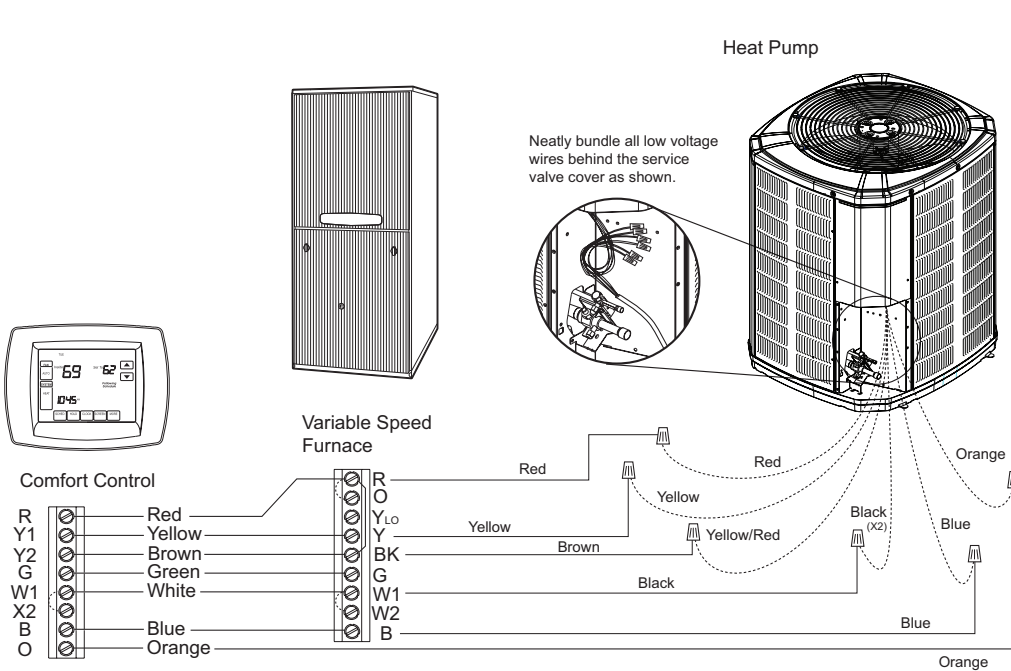
4TEE3F31-66 Variable Speed Air Handler Hook-up Diagram



Communicating Indoor Unit with 24 V Control Hook-up Diagram



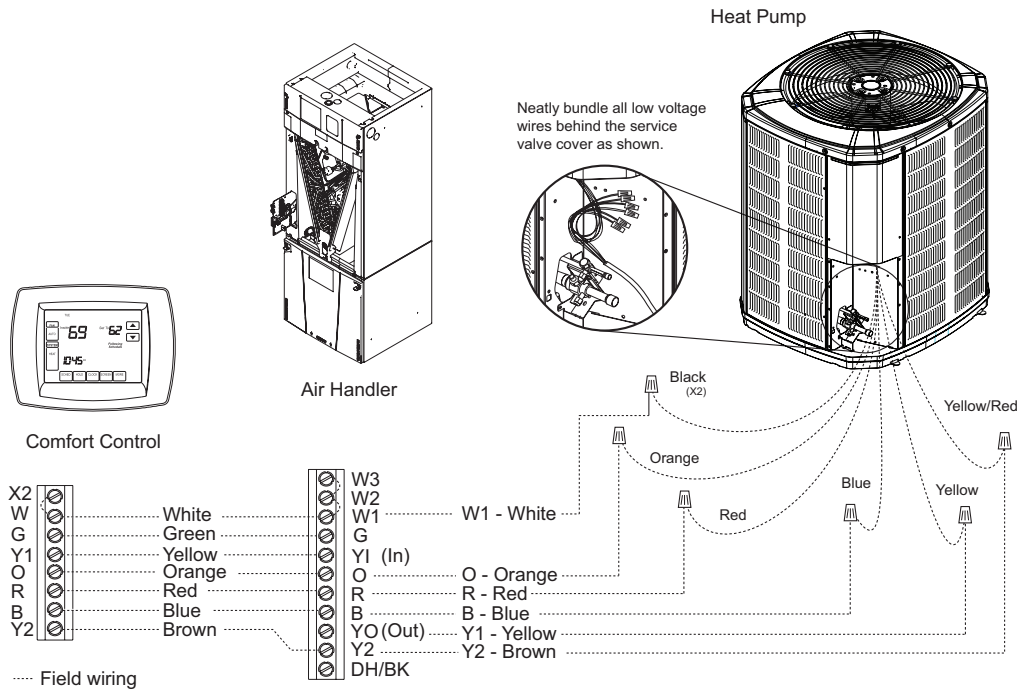
Variable Speed Furnace Hook-up Diagram



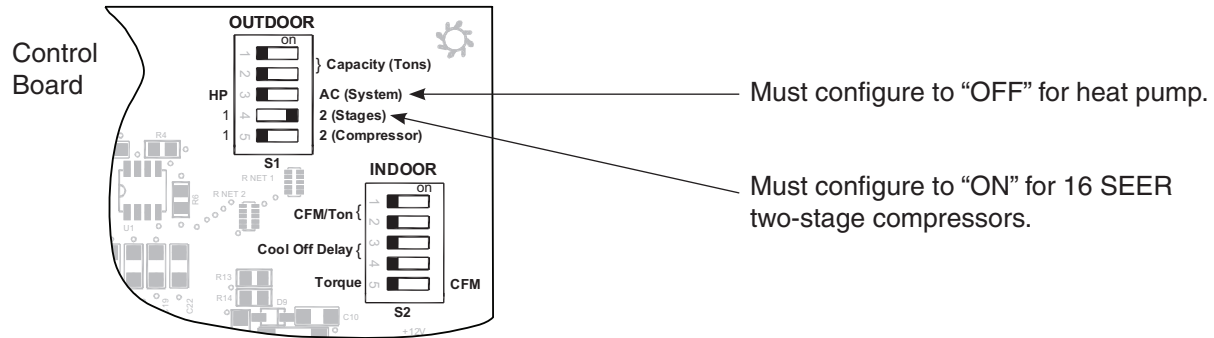
Notes:

1. Comfort control must be dual fuel capable or use accessory TAYPLUS103A.
2. Installer must cut the factory R to BK jumper on furnace circuit board. OR, on new 15-digit models, set the S5-2 DIP switch to OFF.
3. Installer must add a field installed jumper between R and O on the furnace terminal strip
4. 4A6H6 units require 80% airflow with Y1 (low stage) and 100% airflow with Y2 (high stage).
 - A) Connect Y1 from comfort control to Y at the VS furnace and to Y1 (yellow) at the HP.
 - B) Connect Y2 from comfort control to BK at the VS furnace and to Y2 (yellow/red) at the HP.
5. Comfort control may not have W2 or W3 terminals.
6. If single stage heating comfort control is used, jumper W1 to W2 on the furnace terminal strip.

*AM7 Air Handler Hook-up Diagram



*AM7 Air Handler Hook-up (Continued)



11.3 Defrost Control

Defrost controls have a selectable termination temperature. As shipped, defrost will terminate at 47°F. For a higher termination temperature, cut Jumper J2 to achieve 70°F when at or below 30°F ambient. See Service Facts shipped in the outdoor unit for more information.

Pin Identification (See Illustration at right)

1. TEST_COMMON (Shorting any of the other pins to this pin causes the function of the other pin to be executed. Leaving this pin open results in the normal mode of operation.)
2. TST = Test (Shorting TEST_COMMON to this pin speeds up all defrost board timings.)
3. FRC_DFT = Forced Defrost (Short TEST_COMMON to this pin for two (2) seconds to initiate a forced defrost. Remove the short after defrost initiates.)

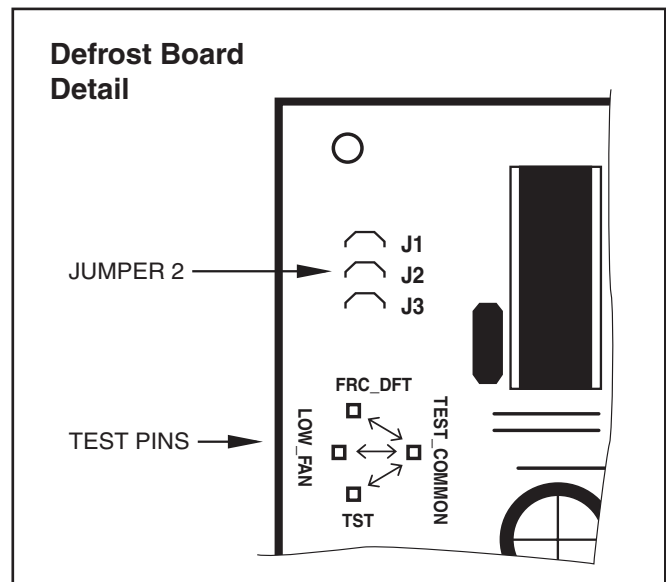
Defrost Control Checkout

Normal operation requires:

- LED on board flashing 1 time/second.
- 24V AC between R & B.
- 24V AC between Y & B with unit operating.
- Defrost initiation when FRC_DFT pin is shorted to TEST_COMMON pin.

If a defrost control problem is suspected, refer to the service information in control box.

Defrost Termination Temperatures		
	Outdoor Temperature	Termination Temperature
As Shipped	>22°F	47°F
	10°F–22°F	ODT + 25°F
	6°F–10°F	35°F
Cut Jumper 2	>30°F	47°F
	6°F–30°F	70°F
All	< 6°F	12 min. or 35°F every 3 hrs.



Section 12. Electrical - High Voltage

12.1 High Voltage Power Supply

⚠ WARNING

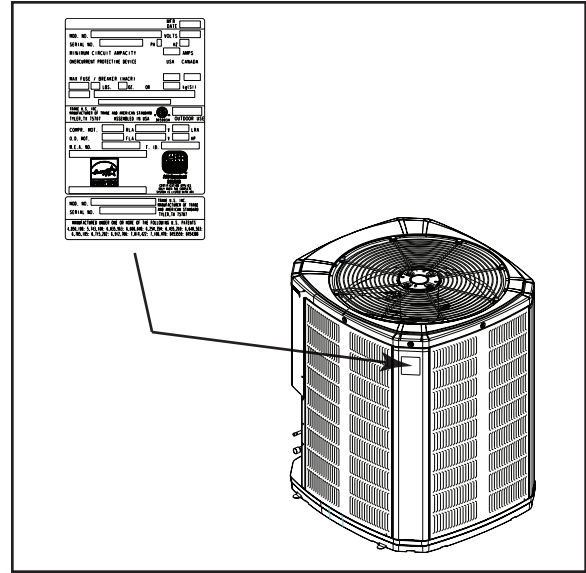
LIVE ELECTRICAL COMPONENTS!

During installation, testing, servicing, and troubleshooting of this product, it may be necessary to work with live electrical components. Failure to follow all electrical safety precautions when exposed to live electrical components could result in death or serious injury.

The high voltage power supply must agree with the equipment nameplate.

Power wiring must comply with national, state, and local codes.

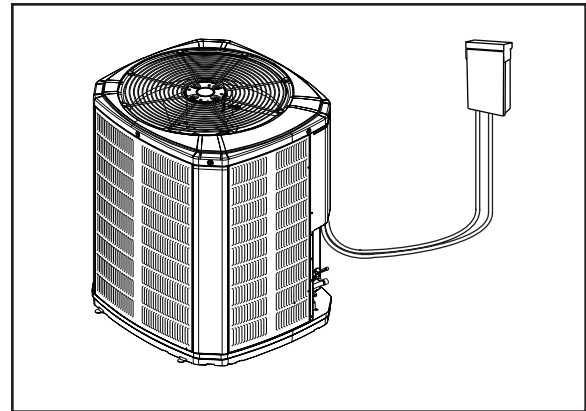
Follow instructions on unit wiring diagram located on the inside of the control box cover and in the Service Facts document included with the unit.



12.2 High Voltage Disconnect Switch

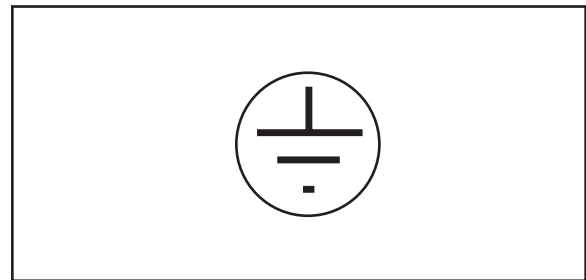
Install a separate disconnect switch at the outdoor unit.

For high voltage connections, flexible electrical conduit is recommended whenever vibration transmission may create a noise problem within the structure.



12.3 High Voltage Ground

Ground the outdoor unit per national, state, and local code requirements.

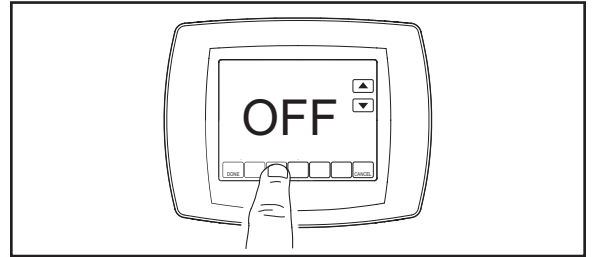


Section 13. Start Up

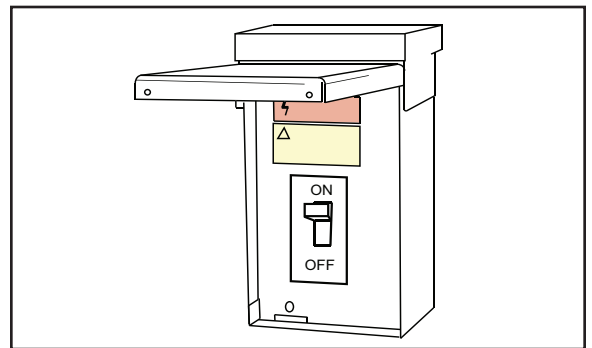
13.1 System Start Up

STEP 1 - Ensure Sections 7 through 12 have been completed.

STEP 2 - Set System Thermostat to OFF.



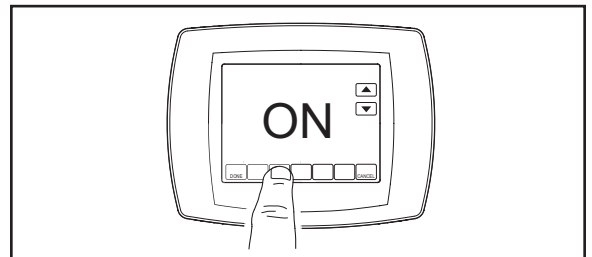
STEP 3 - Turn on disconnect(s) to apply power to the indoor and outdoor units.



STEP 4 - Wait one (1) hour before starting the unit if compressor crankcase heater accessory is used and the Outdoor Ambient is below 70°F.



STEP 5 - Set system thermostat to ON.



Section 14. System Charge Adjustment

14.1 Temperature Measurements

STEP 1 - Check the outdoor temperatures.

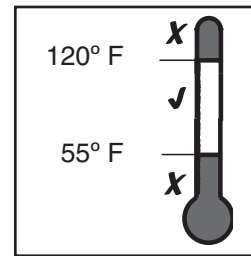
Subcooling (in cooling mode) is the only recommended method of charging above 55° F ambient outdoor temperature. See Section 14.2.

For outdoor temperatures below 55° F, follow the Superheat charging instructions (in heating mode). See Section 14.3.

Note: It is important to return in the spring or summer to accurately charge the system in the cooling mode with outdoor ambient temperature above 55°F.

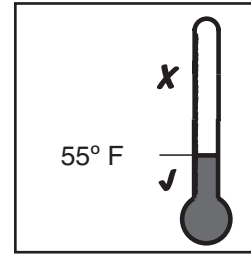
For best results the indoor temperature should be kept between 70° F to 80° F.

See Section 14.2 for
Outdoor
Temperatures
Above 55° F

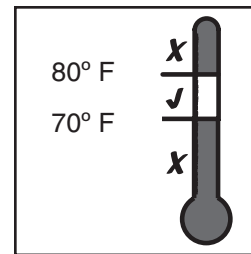


Outdoor Temp 1

See Section 14.3 for
Outdoor
Temperatures
Below 55° F



Outdoor Temp 2



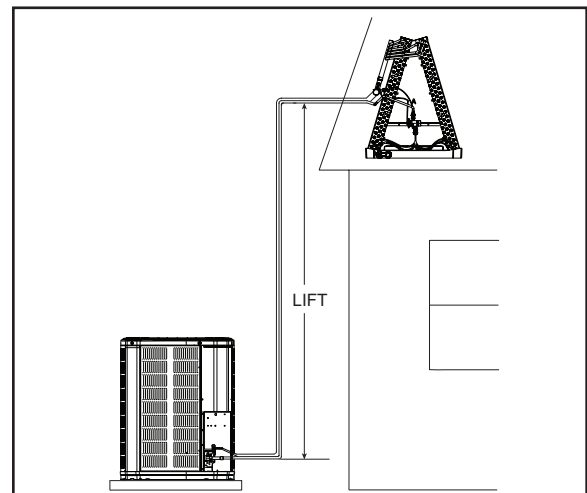
Indoor Temp

14.2 Subcooling Charging in Cooling (Above 55° F Outdoor Temp.)

STEP 1 - Use the refrigerant line total length and lift measurements from Section 5.3.

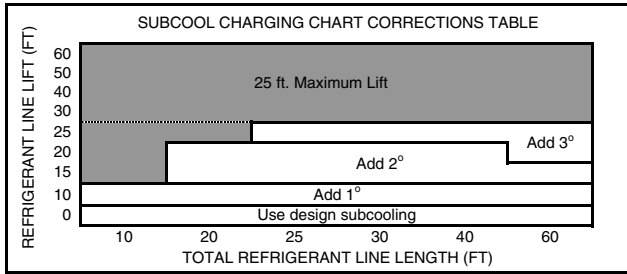
Total Line Length = _____ Ft.

Vertical Change (Lift) = _____ Ft.

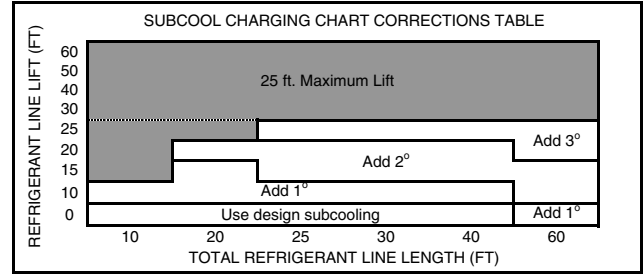


STEP 2 - Determine the final subcooling value using total Line Length and Lift measured in STEP 1 and the charts below.

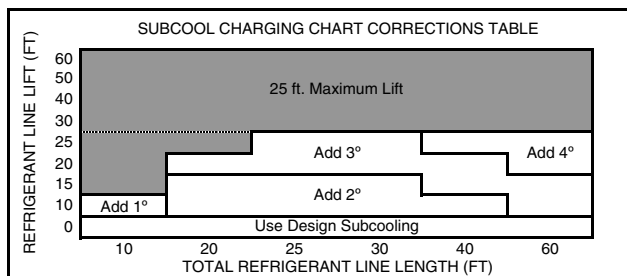
2 Ton Unit



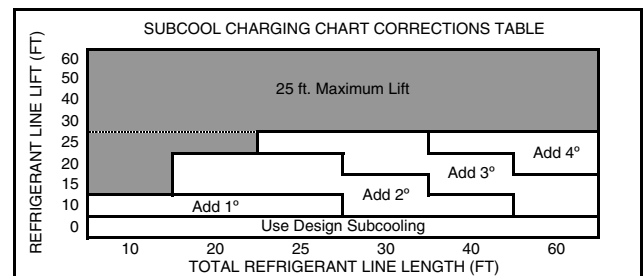
3 Ton Unit



4 Ton Unit



5 Ton Unit



Design Subcooling Value = _____ ° F
(from nameplate or Service Facts)

Subcooling Correction = _____ ° F

Final Subcooling Value = _____ ° F

STEP 3 - Stabilize the system by operating for a minimum of 20 minutes.

At startup, or whenever charge is removed or added, the system must be operated for a minimum of 20 minutes to stabilize before accurate measurements can be made.

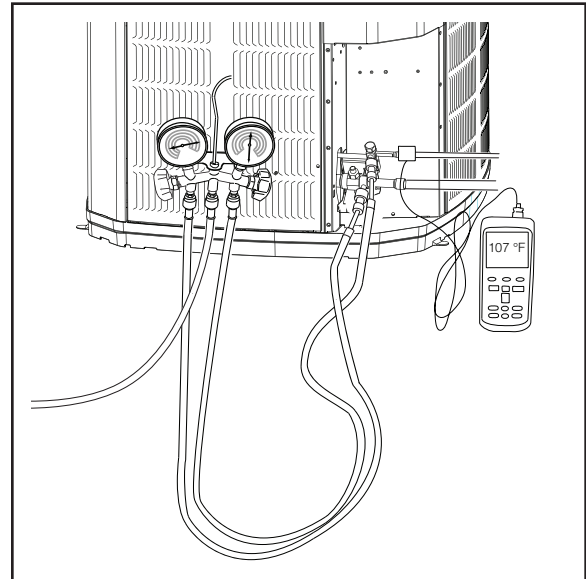


STEP 4 - Measure the liquid line temperature and pressure at the outdoor unit's service valve.

Measured Liquid Line Temp = _____ ° F

Liquid Gage Pressure = _____ PSI

Final Subcooling Value = _____ ° F



STEP 5 - Use the final subcooling value, refrigerant temperature and pressure from STEP 4, to determine the proper liquid gage pressure using Table 14.2.

Example: Assume a 12° F Final Subcooling value and liquid temp of 90° F.

1. Locate 12° F Final Subcooling in Table 14.2.
2. Locate the Liquid Temperature (90° F) in the left column.
3. The Liquid Gage Pressure should be approximately 327 PSI. (This is shown as the intersection of the Final Subcooling column and the Liquid Temperature row.

Table 14.2

R-410A REFRIGERANT CHARGING CHART							
LIQUID TEMP (°F)	FINAL SUBCOOLING (°F)						
	8	9	10	11	12	13	14
LIQUID GAGE PRESSURE (PSI)							
55	179	182	185	188	191	195	198
60	195	198	201	204	208	211	215
65	211	215	218	222	225	229	232
70	229	232	236	240	243	247	251
75	247	251	255	259	263	267	271
80	267	271	275	279	283	287	291
85	287	291	296	300	304	309	313
90	309	313	318	322	327	331	336
95	331	336	341	346	351	355	360
100	355	360	365	370	376	381	386
105	381	386	391	396	402	407	413
110	407	413	418	424	429	435	441
115	435	441	446	452	458	464	470
120	464	470	476	482	488	495	501
125	495	501	507	514	520	527	533

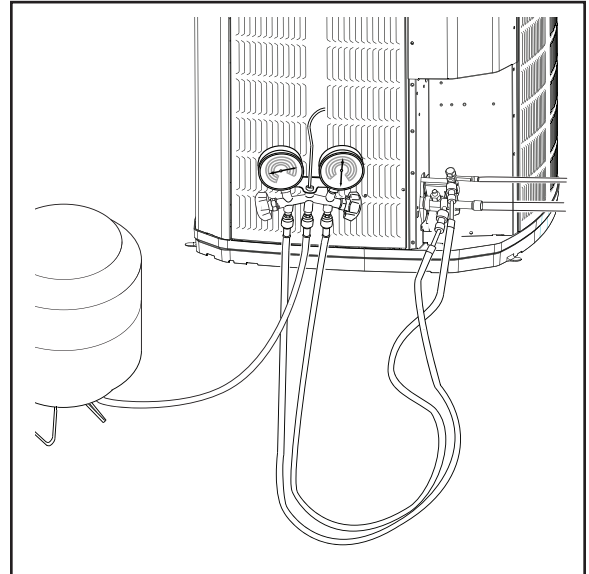
From Dwg. D154557P01 Rev. 3

STEP 6 - Adjust refrigerant level to attain proper gage pressure.

Add refrigerant if the Liquid Gage Pressure is lower than the chart value.

1. Connect gages to refrigerant bottle and unit as illustrated.
2. Purge all hoses.
3. Open bottle.
4. Stop adding refrigerant when liquid line temperature and Liquid Gage Pressure matches the charging chart Final Subcooling value.

Recover refrigerant if the Liquid Gage Pressure is higher than the chart value.



STEP 7 - Stabilize the system.

1. Wait 20 minutes for the system condition to stabilize between adjustments.

Note: When the Liquid Line Temperature and Gage Pressure approximately match the chart, the system is properly charged.

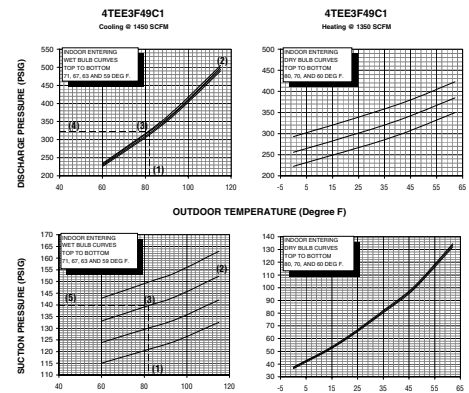
2. Remove gages.
3. Replace service port caps to prevent leaks. Tighten finger tight plus an additional 1/6 turn.



STEP 8 - Verify typical performance.

Refer to System Pressure Curves in the Service Facts to verify typical performance.

(Example only - see Service Facts)



STEP 9 - Record System Information for reference.

Record system pressures and temperatures after charging is complete.

Outdoor model number = _____

Measured Suction Line Temp = _____ ° F

Measured Outdoor Ambient = _____ ° F

Liquid Gage Pressure = _____ PSI

Measured Indoor Ambient = _____ ° F

Suction Gage Pressure = _____ PSI

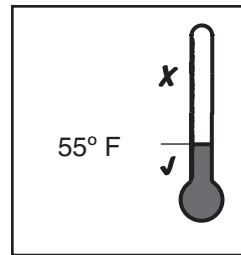
Measured Liquid Line Temp = _____ ° F

14.3 Subcooling Charging Below 55° F Outdoor Temp. (In Heating Only)

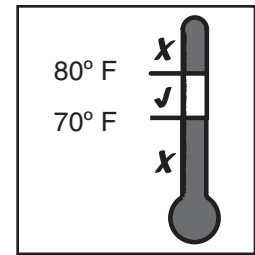
STEP 1 - Check the outdoor temperature. If the ODT is less than 55° F, follow these charging instructions for the heating mode of operation. For temperatures above 55° F, see Section 14.1.

Note: It is important to return in the spring or summer to accurately charge the system in the cooling mode with outdoor ambient **above 55°F**.

For best results the indoor temperature should be kept between 70° F and 80° F. See the Indoor Temp illustration. Add system heat if needed.



Outdoor Temp

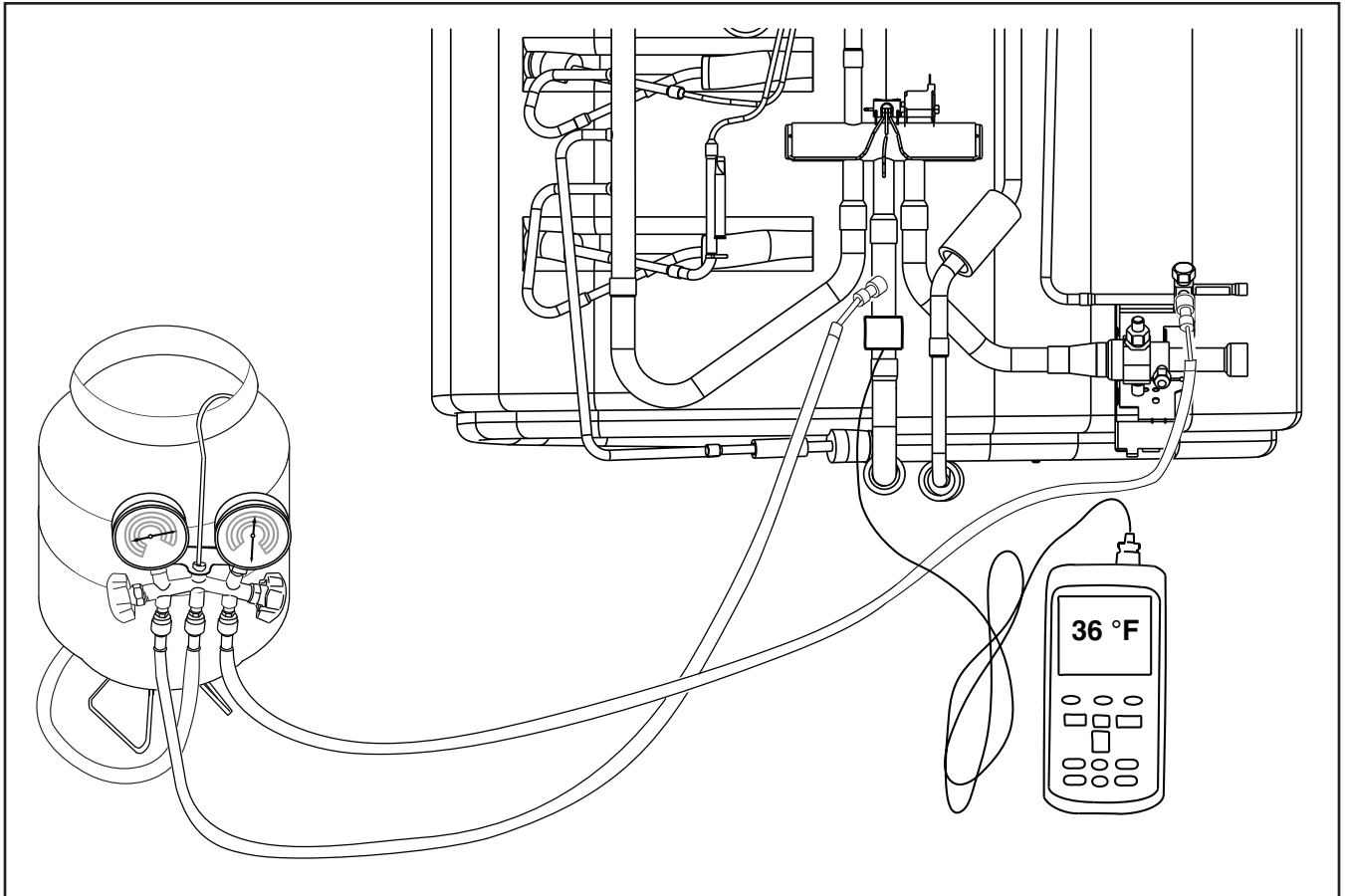


Indoor Temp

STEP 2 - Stabilize the system by operating in the heating mode for a minimum of 20 minutes.

Important: Whenever charge is added or removed, the system must run for a minimum of 20 minutes before accurate measurements can be made.





STEP 3 - Measure the suction line pressure and temperature at the “true” suction line and record the values below.

Note: the side service panel will need to be removed to gain access to this area.

Attach temperature probe and the gage as shown. Ensure the probe is securely attached and well insulated.

Measured
Suction Line Temperature = _____ ° F

Measured
Suction Line Pressure = _____ ° F

Compare these values to the 15 degree super-heat chart in Table 13.2.

STEP 4 - Use the measured values from Step 3 to determine a target superheat of 15 degrees.

Example: Assume a suction pressure of 81 PSI and a suction temperature of 36° F.

When the suction temperature is in line with the suction gage pressure, the target superheat value will be 15 degrees. (Example values highlighted in Table 13.2)

Table 13.2

15 degree Superheat Chart	
Suction Line Temp	Suction Gage Pressure
10	42
12	44
14	47
16	50
18	52
20	55
22	58
24	61
26	64
28	67
30	70
32	74
34	77
36	81
38	84
40	88
42	92
44	96
46	100
48	104
50	108
52	112
54	117
56	121
58	126
60	131
62	136
64	141
70	157

STEP 5 - Adjust refrigerant level to attain 15 degrees of superheat.

Add refrigerant if the suction line temperature is above the value that is in line with the measured suction gage pressure.

1. Connect gages as shown in Step 3.
2. Purge all hoses.
3. Open bottle.
4. Stop adding refrigerant when the suction line temperature is in line with the measured suction line pressure in Table 13.2.

Recover refrigerant if the suction line temperature is lower than the temperature that is in line with the system's suction pressure.

STEP 6 - Stabilization and completion.

1. Wait 20 minutes for the system condition to stabilize between adjustments.

Note: When the suction temperature is in line with the suction gage pressure, the target superheat value will be 15 degrees.

2. Remove gages.
3. Replace service port caps to prevent leaks. Tighten finger tight plus an additional 1/6 turn.

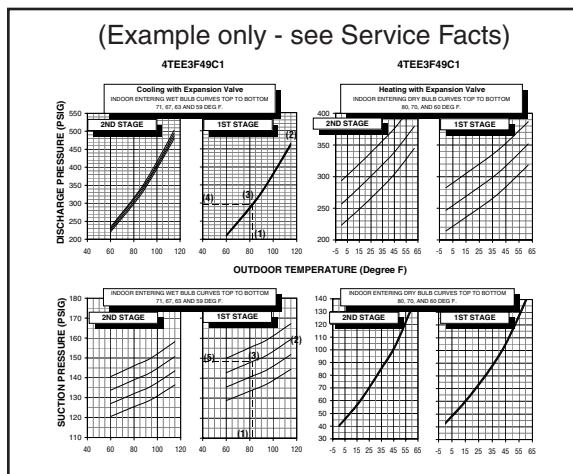


STEP 7 - Target 10–15 degrees of subcooling using Section 14.1 as a guide.

Note: It is important to return in the spring or summer to accurately charge the system in the cooling mode with outdoor ambient **above 55°F**.

STEP 8 - Verify typical performance.

Refer to System Pressure Curves in the Service Facts to verify typical performance.



Section 15. Checkout Procedures and Troubleshooting

15.1 Operational And Checkout Procedures

Final phases of this installation are the unit Operational and Checkout Procedures. To obtain proper performance, all units must be operated and charge adjustments made.

Important: Perform a final unit inspection to be sure that factory tubing has not shifted during shipment. Adjust tubing if necessary so tubes do not rub against each other when the unit runs. Also be sure that wiring connections are tight and properly secured.

CHECKOUT PROCEDURE

After installation has been completed, it is recommended that the entire system be checked against the following list:

- | | |
|--|--|
| 1. Leak check refrigerant lines. [] | 7. Be sure that indoor coil drain line drains freely. Pour water into drain pan..... [] |
| 2. Properly insulate suction lines and fittings..... [] | 8. Be sure that supply registers and return grilles are open and unobstructed..... [] |
| 3. Properly secure and isolate all refrigerant lines..... [] | 9. Be sure that a return air filter is installed..... [] |
| 4. Seal passages through masonry.
If mortar is used, prevent mortar from coming into direct contact with copper tubing..... [] | 10. Be sure that the correct airflow setting is used.
(Indoor blower motor) [] |
| 5. Verify that all electrical connections are tight..... [] | 11. Operate complete system in each mode to ensure safe operation..... [] |
| 6. Observe outdoor fan during on cycle for clearance and smooth operation..... [] | |

15.2 Troubleshooting

SYSTEM FAULTS	WHAT TO CHECK																				
	MODE	WIRING	WIRING	WIRING	WIRING	WIRING	WIRING	WIRING	WIRING	WIRING	WIRING	WIRING	WIRING	WIRING	WIRING	WIRING	WIRING	WIRING	WIRING	WIRING	
REFRIGERANT CIRCUIT																					
Head Pressure Too High	C																		P	P	S
	H																			P	P
Head Pressure Too Low	C																		S	P	
	H																		S	P	
Suction Pressure Too High	C																		S	P	P
	H																		S	P	P
Suction Pressure Too Low	C																		P		
	H																		P		
Liquid Refrig. Floodback (TXV/EEV)	C																				
	H																				
Liquid Refrig. Floodback (Cap. Tube)	C																		P		
	H																		P		
I.D. Coil Frosting	C																		P		
	H																		P		
Compressor Runs Inadequate or No Cooling/Htg	C																		S	P	S
	H																		S	P	S
ELECTRICAL																					
Compressor & O.D. Fan Won't Start	C	P	P							S	P	S	P	P							
	H	P	P							S	P	S	P	P							
Compressor Will Not Start But O.D. Fan Runs	C		P	S	P	S	S	S												P	
	H		P	S	P	S	S	S												P	
O.D. Fan Won't Start	C		P		P			S													
	H		P		P			S													
Compressor Hums But Won't Start	C				P	S	S	S												P	
	H				P	S	S	S												P	
Compressor Cycles on IOL	C		P	S	P	S	S	S							P	S	P	P	S	S	S
	H		P	S	P	S	S	S							P	S	P	P	S	S	S
I.D. Blower Won't Start	C	P	P							S	P	S		S							
	H	P	P							S	P	S		S							
DEFROST																					
Unit Won't Initiate Defrost	C																				
	H																			P	P
Defrost Terminates on Time	C																				
	H																		P		P
Unit Icing Up	C																				
	H																		P		P

C - Cooling H - Heating P - Primary Causes S - Secondary Causes * - 3 Phase Only

American Standard
HEATING & AIR CONDITIONING

6200 Troup Highway
Tyler, TX 75707
www.americanstandardair.com



The manufacturer has a policy of continuous product and product data improvement and it reserves the right to change design and specifications without notice. Representative-only illustrations included in this document.