



EDM4X, EDM2X-“T”, EDD4X, EDA4X Product Specifications

EXPANSION VALVE COILS

ALL MODELS

- 1-1/2 thru 5 Tons
- Copper tube / aluminum fin “A” coil with latest high-tech fin design
- Bolt-on TXV metering device factory installed on all models (equalizer tube brazed in)
- TXV and manifold positioned to the side for easier cleaning
- Innovative drain pan design for complete water removal
- Two condensate drain connections (EDM has additional two for horizontal installation)
- 2-piece delta plate for easier removal and cleaning

CASED COILS

- Upflow cabinet widths and horizontal cabinet depths match flush with ICP gas furnaces
- Removable front access panel
- Easy slide-out coil for inspection
- Hemmed flanges for safer handling
- Foil faced insulation
- Non-sweat cabinet, even at extreme conditions
- Cabinets meet or exceed 2% air leakage codes
- Sturdy, 22 gauge, pre-painted steel cabinet

EDM

- Multiposition installation – upflow, downflow, or horizontal
- Available for R-410A (EDM tin-coated available for R-22 systems)
- Two UV light knock-outs provided on cabinet
- Available with industry exclusive tin coated copper main tubing for additional corrosion protection

EDD

- Upflow or downflow installation
- Available for R-410A
- Two UV light knock-outs provided on cabinet
- Available with industry exclusive tin coated copper main tubing for additional corrosion protection

UNCASED A-COILS

EDA

- Upflow or downflow installation
- Available for R-410A systems
- Available with industry exclusive tin coated copper main tubing for additional corrosion protection



Use of the AHRI Certified TM Mark indicates a manufacturer's participation in the program. For verification of certification for individual products, go to www.ahridirectory.org.



Available Styles	EDM	EDD	EDA
Cased	✓	✓	
Uncased			✓
Horizontal Flow	✓		
Upflow	✓	✓	✓
Downflow	✓	✓	✓
R-410A	✓	✓	✓
R-22 (Tin Coated Tubes)	✓		
Plain Tubes	✓	✓	✓
Tin Coated Tubes	✓	✓	✓

WARRANTY*

Parts Limited Warranty			
R-410A		R-22	
EDM4, EDD4, EDA4	5 year - With timely registration, an additional 5 year.	EDM2X-“T”	5 Year

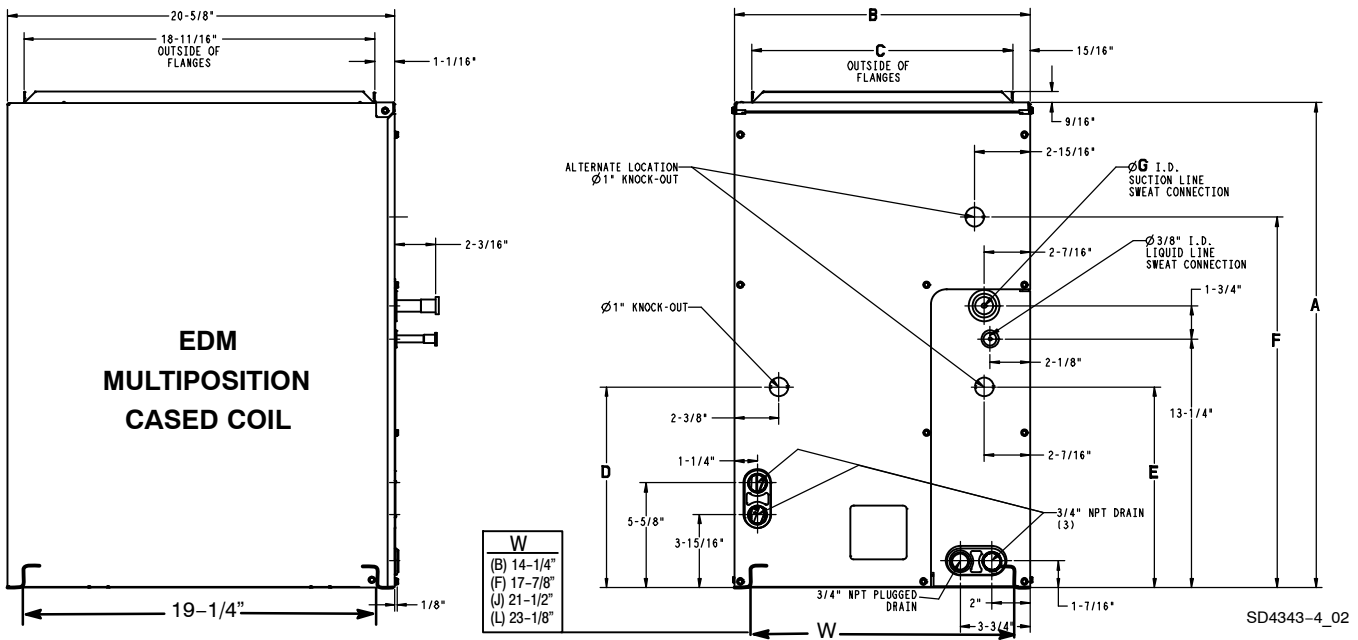
* Applies to original purchaser/homeowner, some limitations may apply. See Warranty certificate for complete details.

Specifications subject to change without notice.

COIL MODEL NUMBER IDENTIFICATION GUIDE									
	E	D	M	4	X	18	B	A	1
E = Evaporator									
D = Deluxe		TYPE							
M = Cased, Multiposition									
D = Cased Upflow / Downflow									
A = Uncased			APPLICATION						
2 = R-22									
4 = Environmentally Sound R-410A			REFRIGERANT						
X = TXV					METERING DEVICE				
18 = 18,000 BTUH = 1-1/2 tons									
24 = 24,000 BTUH = 2 tons									
30 = 30,000 BTUH = 2-1/2 tons									
36 = 36,000 BTUH = 3 tons									
42 = 42,000 BTUH = 3-1/2 tons									
48 = 48,000 BTUH = 4 tons									
60 = 60,000 BTUH = 5 tons					NOMINAL CAPACITY				
B = 15.5"									
F = 19.1"									
J = 22.8"									
L = 24.5"						WIDTH (matches furnace)			
A = Standard									
AT = Tin Coated Copper Tubes for Additional Corrosion Protection								SALES CODE / FEATURES	
Engineering Revision									

PHYSICAL DATA								
	Model Size							
	18	24	30	36	42	48F	48J, 48L	60
TXV factory installed, hard shut-off, bi-flow type for heat pump application, non-adjustable superheat								
R-22 TXV Size	3 ton				5 ton			6 ton
R-410A TXV Size	2 ton		3 ton	4 ton	5 ton			
TXV Connections	TXV-to-coil = Bolt-on 3/4-20 UNF straight thread (factory assembled)							
	field line set to TXV = 3/8" (10mm) sweat (female)							
	equalizer-to-coil = brazed in (factory brazed)							
Nominal Acceptable CFM Range								
CFM (L/s) - min	525 (248)	700 (330)	875 (413)	1050 (496)	1225 (578)	1400 (661)		1750 (826)
CFM (L/s) - max	625 (295)	900 (425)	1125 (531)	1350 (637)	1600 (755)	1800 (849)		2000 (944)
Coil Data (all coils 2 slab "A" configuration, lanced sine wave bare aluminum fin)								
Face Area ft ² (m ²)	2.75 (0.26)	3.67 (0.34)	4.58 (0.43)	5.04 (0.47)	5.50 (0.51)	6.42 (0.60)	5.50 (0.51)	6.88 (0.64)
Each Slab H x W in. (mm)	12 x 16-1/2 (305 x 419)	16 x 16-1/2 (406 x 419)	20 x 16-1/2 (508 x 419)	22 x 16-1/2 (559 x 419)	24 x 16-1/2 (610 x 419)	28 x 16-1/2 (711 x 419)	24 x 16-1/2 (610 x 419)	30 x 16-1/2 (762 x 419)
Fins Per Inch	17	17	16	15	15	12		13
Refrigerant Line Connections (sweat)								
Liquid in. (mm)	3/8 (10)	3/8 (10)	3/8 (10)	3/8 (10)	3/8 (10)	3/8 (10)		3/8 (10)
Suction in. (mm)	5/8 (16)	5/8 (16)	3/4 (19)	3/4 (19)	7/8 (22)	7/8 (22)		7/8 (22)

ACCESSORIES			
Description	Part Number	Use with models	
		EDA	EDM, EDD
Fossil Fuel Kit	AXWR01DFC	ALL	ALL
Sub-Base (use when cased coil is mounted beneath a downflow gas or oil furnace on a combustible floor)	NAHH004SB	-	B models 15-3/4" wide (400mm)
	NAHH005SB	-	F models 19-3/8" wide (492mm)
	NAHH006SB	-	J models 23" wide (584mm)
	NAHH009SB	-	L models 24-5/8" wide (625mm)
Coil Adapter for Downflow Furnaces (when used with multiposition furnace in downflow application)	NAHA001CA	-	ALL
PVC Condensate Trap Kit (box of 50)	EBAC01CTK	ALL	ALL

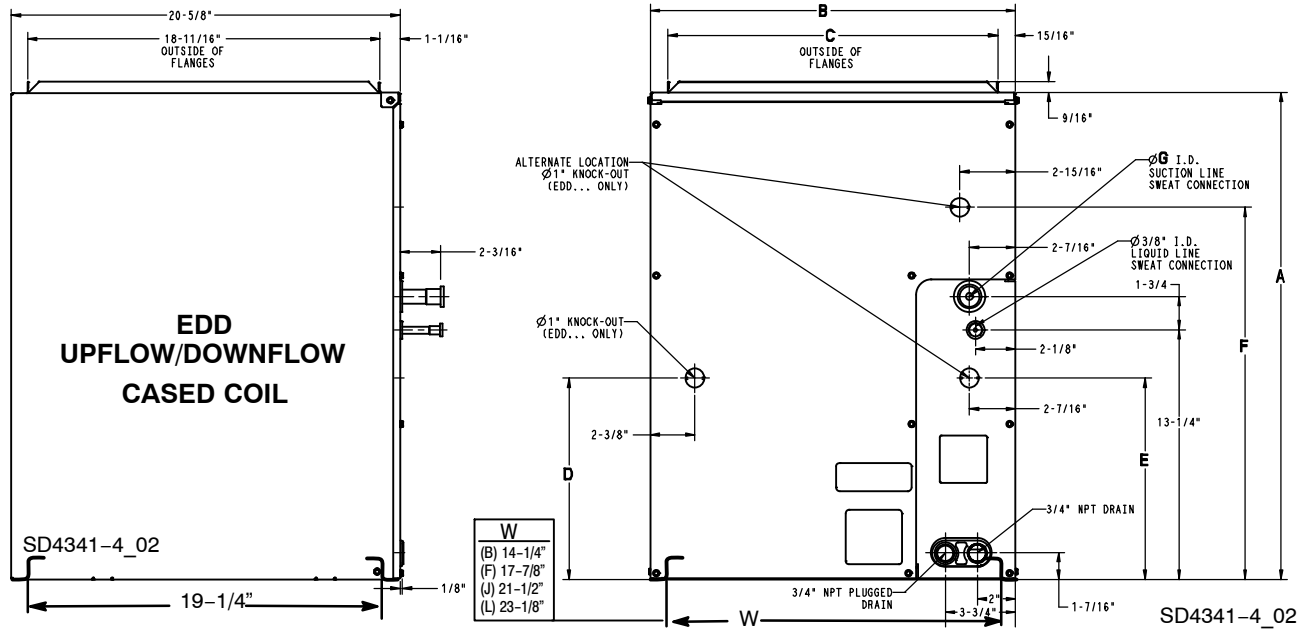


SD4343-4_02

DIMENSIONAL DATA - EDM4, EDM2X-''T''

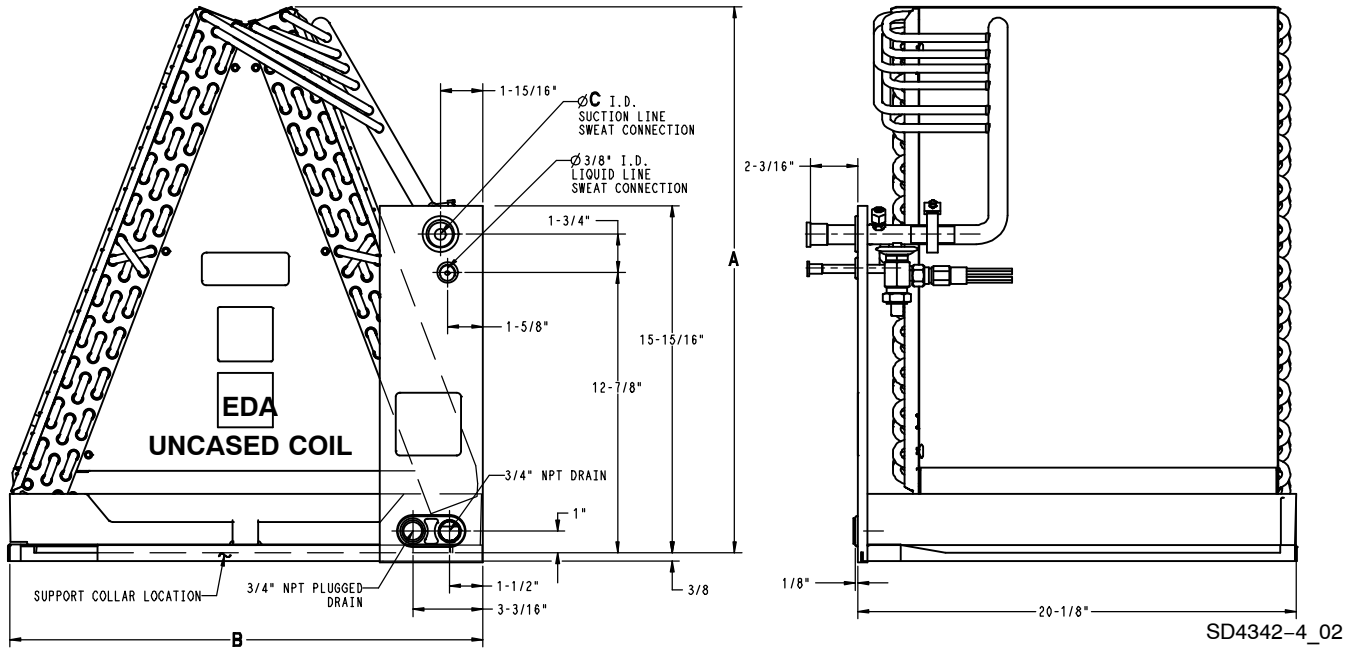
Model	Size (tons)	All Dimensions Inches (English)								Shipping Weight (lbs)	
		A	B	C	D	E	F	G	A model	AT model	
EDM 4X 18B 2X 18B A AT	1-1/2	25-7/8	15-5/8	13-7/8	10-11/16	10-11/16	-	5/8	54.0	55.5	
EDM 4X 24B 2X 24B A AT	2	25-7/8	15-5/8	13-7/8	10-11/16	10-11/16	-	5/8	56.0	56.5	
EDM 4X 24F 2X 24F A AT	2	25-7/8	19-1/4	17-1/2	10-11/16	10-11/16	-	5/8	59.5	60.0	
EDM 4X 30B 2X 30B A AT	2-1/2	25-7/8	15-5/8	13-7/8	19-3/4	-	19-3/4	3/4	58.5	60.0	
EDM 4X 30F 2X 30F A AT	2-1/2	25-7/8	19-1/4	17-1/2	10-11/16	-	19-3/4	3/4	62.0	64.0	
EDM 4X 36B 2X 36B A AT	3	29-3/4	15-5/8	13-7/8	19-3/4	-	19-3/4	3/4	64.0	66.0	
EDM 4X 36F 2X 36F A AT	3	29-3/4	19-1/4	17-1/2	19-3/4	-	19-3/4	3/4	69.5	72.5	
EDM 4X 36J 2X 36J A AT	3	29-3/4	22-7/8	21-1/8	19-3/4	-	19-3/4	3/4	75.5	77.0	
EDM 4X 42F 2X 42F A AT	3-1/2	29-3/4	19-1/4	17-1/2	19-3/4	-	19-3/4	7/8	75.0	77.0	
EDM 4X 42J 2X 42J A AT	3-1/2	29-3/4	22-7/8	21-1/8	19-3/4	-	19-3/4	7/8	76.0	78.5	
EDM 4X 42L 2X 42L A AT	3-1/2	29-3/4	24-1/2	22-3/4	19-3/4	-	19-3/4	7/8	77.5	80.5	
EDM 4X 48F 2X 48F A AT	4	35	19-1/4	17-1/2	19-3/4	-	19-3/4	7/8	89.0	93.0	
EDM 4X 48J 2X 48J A AT	4	29-3/4	22-7/8	21-1/8	19-3/4	-	19-3/4	7/8	83.0	86.0	
EDM 4X 48L 2X 48L A AT	4	29-3/4	24-1/2	22-3/4	19-3/4	-	19-3/4	7/8	84.5	87.3	
EDM 4X 60J 2X 60J A AT	5	35	22-7/8	21-1/8	19-3/4	-	19-3/4	7/8	88.0	91.0	
EDM 4X 60L 2X 60L A AT	5	35	24-1/2	22-3/4	19-3/4	-	19-3/4	7/8	97.0	100.0	

NOTE: Only EDM2X***AT available for R-22.



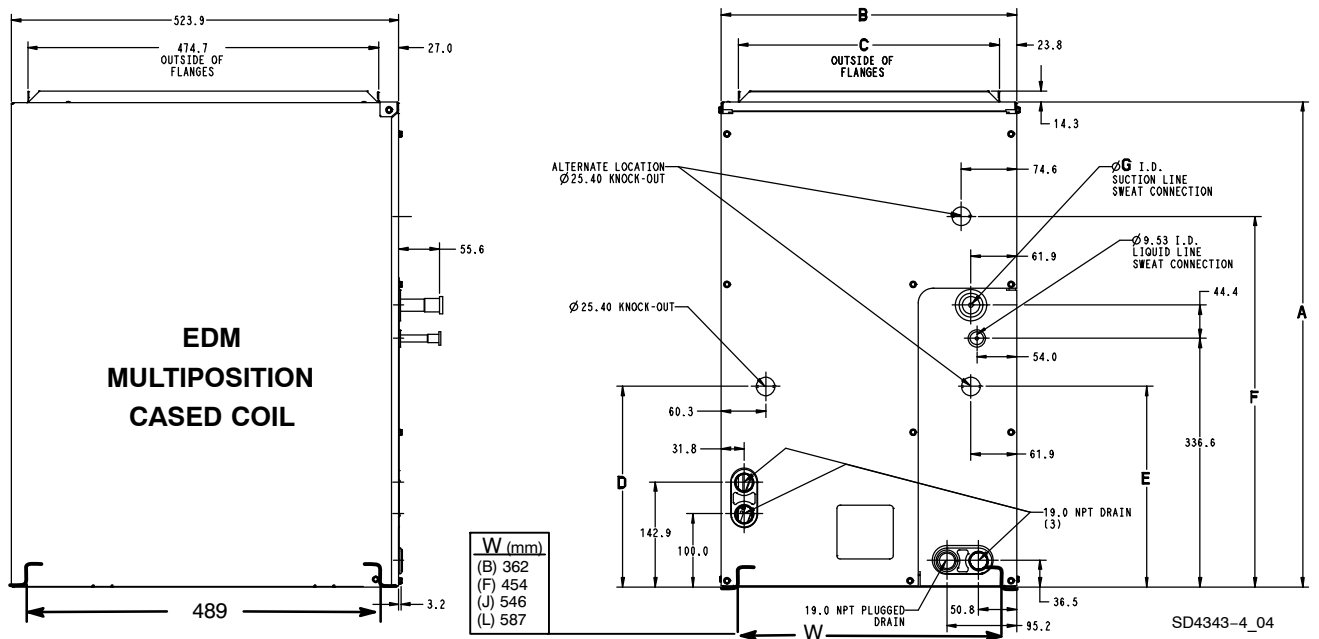
DIMENSIONAL DATA - EDD												
Model	Size (tons)	All Dimensions Inches (English)									Shipping Weight (lbs)	
		A	B	C	D	E	F	G	A model	AT model		
EDD 4X 18B ^A / _{AT}	1-1/2	18-5/16	15-5/8	13-7/8	10-11/16	10-11/16	-	5/8	38.5	40.5		
EDD 4X 24B ^A / _{AT}	2	19-9/16	15-5/8	13-7/8	10-11/16	10-11/16	-	5/8	43.0	45.0		
EDD 4X 24F ^A / _{AT}	2	19-9/16	19-1/4	17-1/2	10-11/16	10-11/16	-	5/8	46.0	48.0		
EDD 4X 30B ^A / _{AT}	2-1/2	23-11/16	15-5/8	13-7/8	19-3/4	-	19-3/4	3/4	49.5	52.0		
EDD 4X 30F ^A / _{AT}	2-1/2	23-11/16	19-1/4	17-1/2	19-3/4	-	19-3/4	3/4	56.0	58.5		
EDD 4X 36B ^A / _{AT}	3	25-13/16	15-5/8	13-7/8	10-11/16	-	19-3/4	3/4	57.0	59.5		
EDD 4X 36F ^A / _{AT}	3	25-13/16	19-1/4	17-1/2	10-11/16	-	19-3/4	3/4	58.5	61.0		
EDD 4X 36J ^A / _{AT}	3	25-13/16	22-7/8	21-1/8	19-3/4	-	19-3/4	3/4	61.0	63.5		
EDD 4X 42F ^A / _{AT}	3-1/2	27-9/16	19-1/4	17-1/2	19-3/4	-	19-3/4	7/8	67.5	70.0		
EDD 4X 42J ^A / _{AT}	3-1/2	27-9/16	22-7/8	21-1/8	19-3/4	-	19-3/4	7/8	65.0	67.5		
EDD 4X 42L ^A / _{AT}	3-1/2	27-9/16	24-1/2	22-3/4	19-3/4	-	19-3/4	7/8	67.5	70.0		
EDD 4X 48F ^A / _{AT}	4	33-5/16	19-1/4	17-1/2	19-3/4	-	19-3/4	7/8	73.0	76.0		
EDD 4X 48J ^A / _{AT}	4	27-9/16	22-7/8	21-1/8	19-3/4	-	19-3/4	7/8	76.0	79.0		
EDD 4X 48L ^A / _{AT}	4	27-9/16	24-1/2	22-3/4	19-3/4	-	19-3/4	7/8	83.0	86.0		
EDD 4X 60J ^{AT} / _A	5	33-5/16	22-7/8	21-1/8	19-3/4	-	19-3/4	7/8	88.0	91.0		
EDD 4X 60L ^A / _{AT}	5	33-5/16	24-1/2	22-3/4	19-3/4	-	19-3/4	7/8	93.0	96.0		

Specifications subject to change without notice.



DIMENSIONAL DATA – EDA

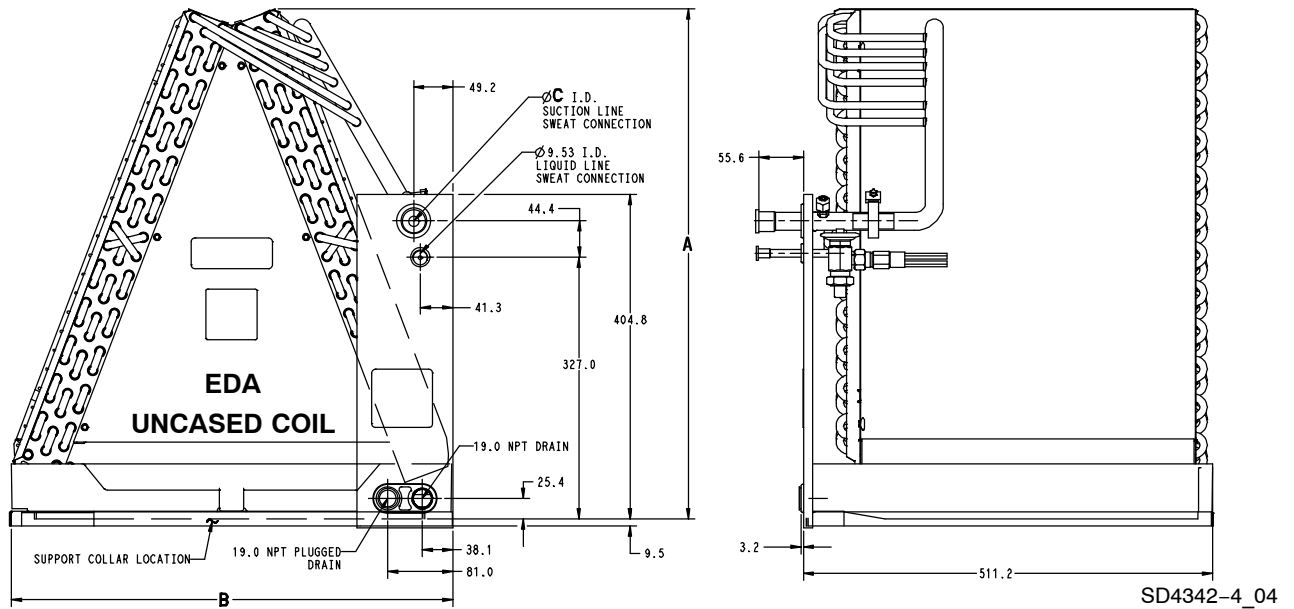
Model	Size (tons)	All Dimensions Inches (English)			Shipping Weight (lbs)	
		A	B	C	A model	AT model
EDA 4X 18B ^A / _{AT}	1-1/2	13-3/8	14-7/16	5/8	24.5	25.5
EDA 4X 24B ^A / _{AT}	2	17-9/16	14-7/16	5/8	29.0	30.0
EDA 4X 24F ^A / _{AT}	2	16-15/16	18-1/16	5/8	30.0	31.0
EDA 4X 30B ^A / _{AT}	2-1/2	21-3/4	14-7/16	3/4	32.0	33.0
EDA 4X 30F ^A / _{AT}	2-1/2	21-3/16	18-1/16	3/4	34.5	35.4
EDA 4X 36B ^A / _{AT}	3	23-3/4	14-7/16	3/4	35.0	36.0
EDA 4X 36F ^A / _{AT}	3	23-1/4	18-1/16	3/4	37.5	39.5
EDA 4X 36J ^A / _{AT}	3	22-5/8	21-11/16	3/4	38.0	40.0
EDA 4X 42F ^A / _{AT}	3-1/2	25-5/16	18-1/16	7/8	40.5	42.5
EDA 4X 42J ^A / _{AT}	3-1/2	24-3/4	21-11/16	7/8	40.5	42.5
EDA 4X 42L ^A / _{AT}	3-1/2	24-1/2	23-5/16	7/8	42.5	45.0
EDA 4X 48F ^A / _{AT}	4	29-11/16	18-1/16	7/8	50.0	53.0
EDA 4X 48J ^A / _{AT}	4	25-1/16	21-11/16	7/8	52.0	55.0
EDA 4X 48L ^A / _{AT}	4	24-13/16	23-5/16	7/8	55.0	58.0
EDA 4X 60J ^A / _{AT}	5	31-5/16	21-11/16	7/8	58.5	61.5
EDA 4X 60L ^A / _{AT}	5	31-1/16	23-5/16	7/8	62.0	65.0



DIMENSIONAL DATA - EDM4, EDM2X-"T"												
Model	Size (tons)	All Dimensions mm (SI Metric)									Shipping Weight (kg)	
		A	B	C	D	E	F	G	A model	AT model		
EDM 4X 2X 18B A AT	1-1/2	657	397	352	272	272	-	16	25	25		
EDM 4X 2X 24B A AT	2	657	397	352	272	272	-	16	25	26		
EDM 4X 2X 24F A AT	2	657	489	445	272	272	-	16	27	27		
EDM 4X 2X 30B A AT	2-1/2	657	397	352	502	-	502	19	27	27		
EDM 4X 2X 30F A AT	2-1/2	657	489	445	272	-	502	19	28	29		
EDM 4X 2X 36B A AT	3	756	397	352	502	-	502	19	29	30		
EDM 4X 2X 36F A AT	3	756	489	445	502	-	502	19	32	33		
EDM 4X 2X 36J A AT	3	756	581	537	502	-	502	19	34	35		
EDM 4X 2X 42F A AT	3-1/2	756	489	445	502	-	502	22	34	35		
EDM 4X 2X 42J A AT	3-1/2	756	581	537	502	-	502	22	35	36		
EDM 4X 2X 42L A AT	3-1/2	756	622	579	502	-	502	22	35	37		
EDM 4X 2X 48F A AT	4	889	489	445	502	-	502	22	40	42		
EDM 4X 2X 48J A AT	4	756	581	537	502	-	502	22	38	39		
EDM 4X 2X 48L A AT	4	756	622	579	502	-	502	22	38	40		
EDM 4X 2X 60J A AT	5	889	581	537	502	-	502	22	40	41		
EDM 4X 2X 60L A AT	5	889	622	578	502	-	502	22	44	45		

NOTE: Only EDM2X***AT available for R-22.

Specifications subject to change without notice.



DIMENSIONAL DATA - EDA								
Model	Size (tons)	All Dimensions mm (SI Metric)			Shipping Weight (kg)			
		A	B	C	A model	AT model		
EDA 4X 18B ^A / _{AT}	1-1/2	340	367	16	11	12		
EDA 4X 24B ^A / _{AT}	2	446	367	16	13	14		
EDA 4X 24F ^A / _{AT}	2	430	459	16	14	14		
EDA 4X 30B ^A / _{AT}	2-1/2	552	367	19	15	15		
EDA 4X 30F ^A / _{AT}	2-1/2	538	459	19	16	16		
EDA 4X 36B ^A / _{AT}	3	603	367	19	16	16		
EDA 4X 36F ^A / _{AT}	3	591	459	19	17	18		
EDA 4X 36J ^A / _{AT}	3	575	551	19	17	18		
EDA 4X 42F ^A / _{AT}	3-1/2	643	459	22	19	20		
EDA 4X 42J ^A / _{AT}	3-1/2	629	551	22	18	19		
EDA 4X 42L ^A / _{AT}	3-1/2	622	592	22	19	20		
EDA 4X 48F ^A / _{AT}	4	754	459	22	23	24		
EDA 4X 48J ^A / _{AT}	4	637	551	22	24	25		
EDA 4X 48L ^A / _{AT}	4	630	592	22	25	26		
EDA 4X 60J ^A / _{AT}	5	795	551	22	27	28		
EDA 4X 60L ^A / _{AT}	5	789	592	22	28	30		

Specifications subject to change without notice.

Static Pressure Drop Across Coil at a Given CFM							
Coil Size	CFM Across Coil	Static Pressure Drop Across Coil (Inches Water Column)		Coil Size	CFM Across Coil	Static Pressure Drop Across Coil (Inches Water Column)	
		Dry	Wet			Dry	Wet
18B 1-1/2 tons	500	0.096	0.106	42J 3-1/2 tons	1200	0.129	0.137
	600	0.127	0.140		1300	0.148	0.159
	700	0.161	0.183		1400	0.168	0.180
24B 2 tons	700	0.134	0.141		1500	0.189	0.203
	800	0.166	0.176		1600	0.211	0.228
	900	0.200	0.215		42L 3-1/2 tons	1200	0.114
24F 2 tons	700	0.110	0.118	1300		0.130	0.161
	800	0.134	0.146	1400		0.146	0.182
	900	0.160	0.176	1500		0.164	0.202
30B 2-1/2 tons	800	0.137	0.143	1600	0.182	0.222	
	900	0.169	0.174	48F 4 tons	1400	0.250	0.263
	1000	0.204	0.211		1500	0.284	0.297
	1100	0.241	0.251		1600	0.320	0.336
30F 2-1/2 tons	800	0.101	0.106		1700	0.358	0.376
	900	0.121	0.129	1800	0.398	0.418	
	1000	0.143	0.154	48J 4 tons	1400	0.192	0.196
	1100	0.168	0.181		1500	0.219	0.225
36B 3 tons	1000	0.188	0.202		1600	0.245	0.253
	1100	0.224	0.240		1700	0.273	0.283
	1200	0.262	0.281	1800	0.303	0.314	
	1300	0.303	0.325	48L 4 tons	1400	0.180	0.193
1400	0.349	0.374	1500		0.198	0.214	
36F 3 tons	1000	0.133	0.139		1600	0.222	0.241
	1100	0.154	0.163		1700	0.247	0.270
	1200	0.177	0.189	1800	0.275	0.296	
	1300	0.203	0.216	60J 5 tons	1700	0.260	0.285
1400	0.227	0.245	1800		0.288	0.315	
36J 3 tons	1000	0.104	0.106		1900	0.316	0.346
	1100	0.121	0.124	2000	0.347	0.381	
	1200	0.139	0.144	60L 5 tons	1700	0.232	0.263
	1300	0.159	0.166		1800	0.256	0.291
1400	0.181	0.190	1900		0.283	0.321	
42F 3-1/2 tons	1200	0.180	0.208	2000	0.308	0.354	
	1300	0.201	0.231				
	1400	0.228	0.275				
	1500	0.267	0.314				
	1600	0.291	0.348				