



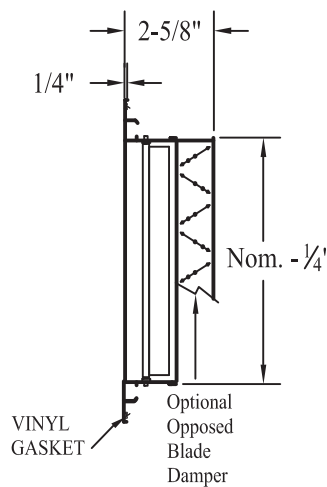
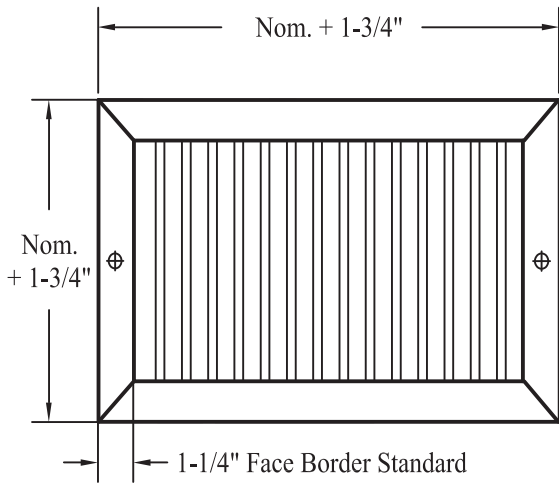
SIDEWALL SERIES

SINGLE DEFLECTION SUPPLY GRILLES AND REGISTERS

MODELS: VME, VME-OB, HME, HME-OB

SUSTAINABLE EXTRUDED ALUMINUM

Dimensions are in inches

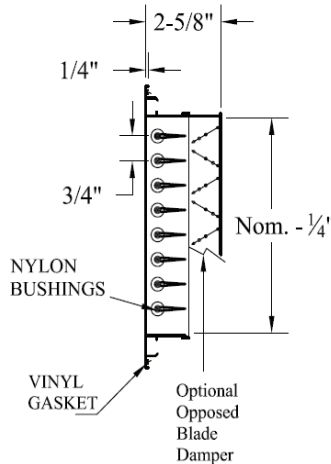
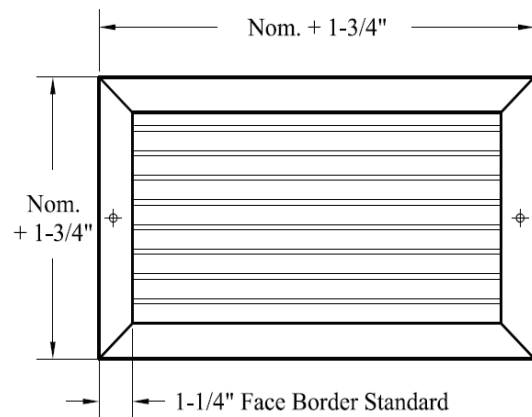


VME

Single Deflection Supply Grille with Vertical Blades and with Square Contour Frame.

VME-OB

Single Deflection Supply Register with Vertical Blades and with Square Contour Frame (includes OB Damper).



HME

Single Deflection Supply Grille with Front Blades Parallel to the Horizontal Dimension and with Square Contour Frame.

HME-OB

Single Deflection Supply Register with Front Blades Parallel to the Horizontal Dimension and with Square Contour Frame (includes OB Damper).

DESCRIPTION:

1. Construction: 6063 Extruded aluminum frame mechanically interlocked with hairline mitered corner for strength. A single set of 6063 extruded aluminum blades on with 3/4" spacing provides air control in a single plane. Blades are individually adjustable with zero metal-to-metal contact with the use of nylon bushings to eliminate noise, corrosion and vibration. Extruded flexible vinyl gasket is standard and produces a perfect positive air seal.
2. Optional screwdriver operated opposed blade damper with nylon bushings.
3. All blades are airfoil in design, individually adjustable and spaced 3/4" on center. At the outer edge of the frame is a specially engineered channel which retains an extruded flexible vinyl bulb gasket that produces a positive air seal at the mounting surface, minimizing smudging.
4. Standard fastening is countersunk screw holes.
5. Standard finish is White.

Options:

1. Finish
 - White
 - ANOD (Clear Anodized)
 - Medium Bronze
 - Black
 - Custom _____
2. Accessories
 - OBFL (Fire link)
 - PF (Plaster Frame)
 - PLT
3. Frame style
 - Beveled Frame Available
 - ME (square contour) Frame

PROJECT:

ENGINEER:

CONTRACTOR:

DATE

SERIES

DRAWING NO.