

submittal

Job _____
 Location _____
 Submitted to _____
 Submittal Prepared by _____
 Approve Date _____
 Date _____

UL Classified - For use in non-combustible installations rated 3 hours or less.

22 Ga 1 piece rollformed frame.

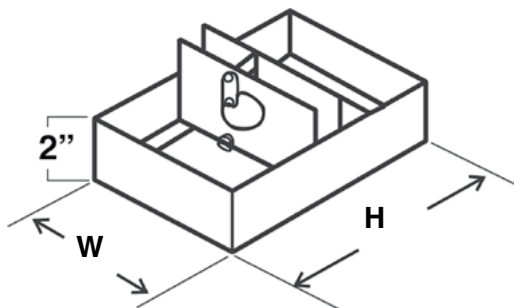
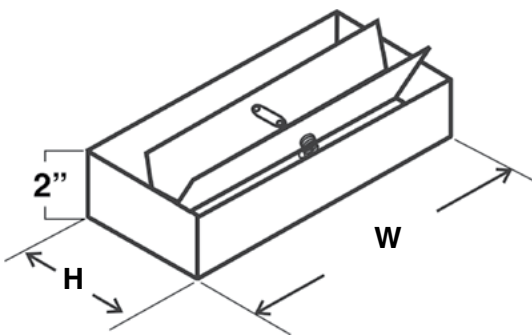
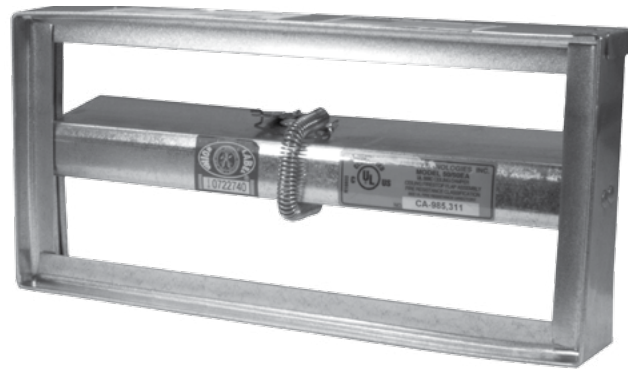
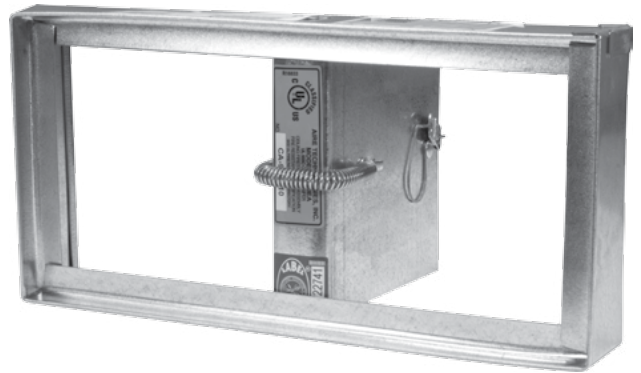
Standard fusible link - 165° F (optional 212° F)

Standard Link attachment or
Easy Access option

Ceramic Thermal Blanket provided on units with blade areas of greater than 84 sq. in.

Available in single-section sizes
from 4" x 6" or 6" x 4" to 24" x 24"

CRD Series 50 Rectangular



This product meets the requirements for ceiling dampers established by:

UL Standard 555C
NFPA Standard 90A
ICC Building Codes

S
C
E
P
S

Qty.	Damper Size		Fusible Link Temp (165°F) std.
	W	H	

Part Number Format



MODEL

50 SERIES - CRD, RECTANGULAR, 3 Hour

METHOD OF LINK ATTACHMENT

SL - STANDARD LINK
EA - EASY ACCESS LINK

DAMPER
WIDTH

DAMPER
HEIGHT

MATERIAL & LINK TEMP.

G - GALVANIZED, W/165° LINK
H - GALVANIZED, W/212° LINK

Submittal



AireTechnologies, Inc
a DMI company

AireTechnologies, Inc.
1502 Industrial Drive
E. Monongahela, PA 15063

phone: 866.421.AIRE
fax 724.310.1262

www.airetechnologies.com